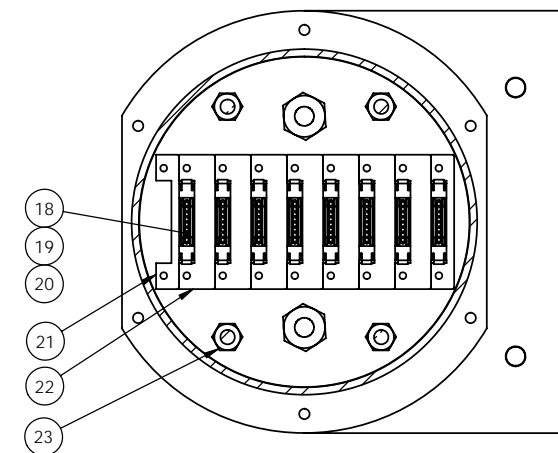
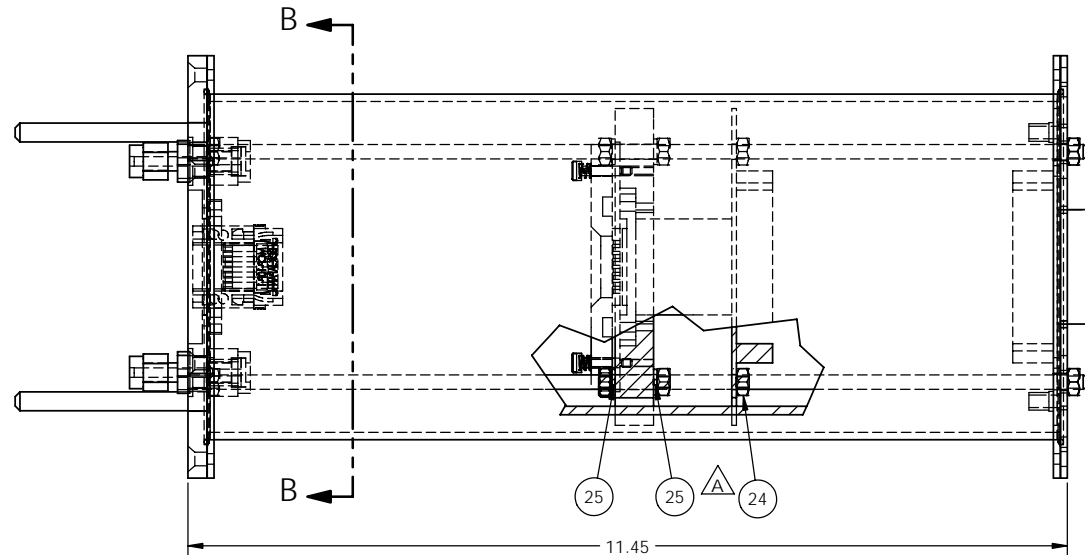
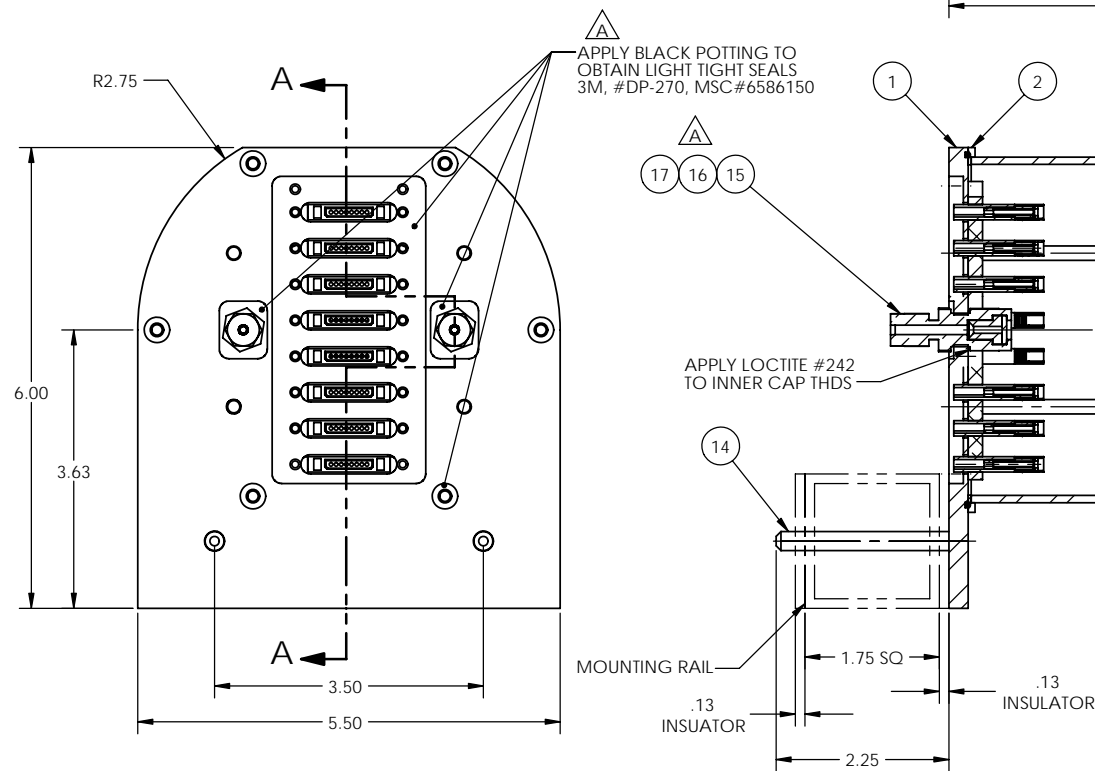


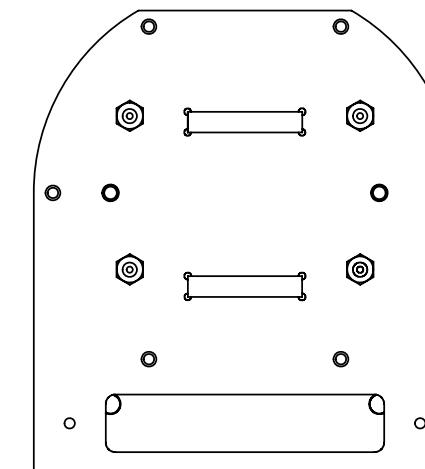
REVISIONS				
ZONE	REV	DESCRIPTION	DATE	APPROVED
		INITIAL ISSUE		
B-2		ADDED HARDWARE & POTTING MATL	3/20/2007	RSF
B-3	A	ADDED ITEMS 16, 17 & SHT 14		
A-3		ADDED ITEM 26		



SECTION B-B



SECTION A-A



Parts List							
ITEM NO	QTY	DET_SHT	ASSY_SHT	DESCRIPTION	MATERIAL	SIZE	WEIGHT
1	1	5	1	FIBER CONNECTOR ENDCAP	CRS	.25 x 5.50 x 6.00	1.655
2	2	13	1	WELDED TUBE ENDCAP	CRS	5.50 DIA x .09 LG (13 GA)	0.172
3	1	4	1	TUBE	STEEL	4.50 x .095 WALL (16 GA) x 11.03 LG	4.09
4	1	11	1	COOKIE	NORYL, BLACK	.38 x 2.44 x 3.19	0.077
5	1	10	1	COOKIE HOLDER	NORYL, BLACK	4.13 DIA x .50 THK	0.254
6	1	-	1	PMT	HAMAMATSU	M64	0.128
7	1	9	1	HIGH VOLTAGE ENDCAP	CRS	.09 (13 GA) x 5.50 x 6.00	0.677
8	4	3	1	RAIL	3/16-32 BRASS THD ROD	.19 x 11.75 LG	0.099
9	2	-	1	O-RING	MCMMASTER CARR	9452K312	0.002
10	1	12	1	CIRCUIT BOARD GASKET	RUBBER or CORK	4.12 DIA x .03 THK	0.013
11	1	-	1	HIGH VOLTAGE PC BOARD	PC BOARD	4.12 DIA x .59 TALL	0.198
12	1	-	1	PMT CIRCUIT BOARD	PC BOARD	4.12 DIA x .53 TALL	0.151
13	4	-	1	1/8 DIA x 0.500 LG SHSS, SS	MCMMASTER CARR	91829A522	0.004
14	2	7	1	MOUNTING STUD	MCMMASTER CARR	8920K11 (.25 DIA x 2.50 LG)	0.033
15	2	-	1	COMPRESSION FITTING	MCMMASTER CARR	5272K214	0.071
16	2	14	1	BUSHING OPTICAL CABLE	POLYCARBONATE-WHITE	.38 DIA x .43 LG	0.001
17	2	14	1	LENS	HDPE	.375 DIA x .060 THK	0.000
18	8	-	1	FIBER FERRULE	DDK	.150 x .661 x .667	0.002
19	8	-	1	CONNECTOR BOX	DDK	.200 x .793 x 1.067	0.004
20	8	-	1	LATCH CONNECTOR	DDK	.20 x .65 x 1.10	0.002
21	2	7	1	CONNECTOR SUPPORT BRACKET	ALUM	.19 x .30 x 1.75	0.005
22	7	8	1	CONNECTOR SUPPORT 02	ALUM	.19 x .47 x 1.75	0.010
23	16	-	1	3/16-32 HEX NUT- BRASS	MCMMASTER CARR	92671A195	0.0042
24	2	-	1	3/16-32 HEX NUT- NYLON	MCMMASTER CARR	92671A195	0.0007
25	8	-	1	#10 NOM LOCKWASHER- BRASS	MCMMASTER CARR	93496A415	0.193
26	4	-	1	SPRING	MSC	06810220	0.110

PMT BOX, TUFTS UNIVERSITY

NOTE: DO NOT SCALE DRAWING !
ALL TOLERANCES UNLESS OTHERWISE SPECIFIED ARE

DIMENSIONS ARE IN:
 □ INCHES [mm] □ mm [IN]
 x.xxx [x.x] ± .010 [.3]
 x.xxxx [x.xxx] ± .005 [.13]
 x.xxxxx [x.xxxx] ± .0005 [.013]
 xx/xx ± 1/32
 x' ± 1"

UNIVERSITY OF ROCHESTER
 DEPT. OF PHYSICS AND ASTRONOMY
 SIDNEY W. BARNES RESEARCH LABORATORY

PMT BOX ASS'Y

THIRD ANGLE PROJECTION	DRAWN RSF	DATE 3/12/07
	CHECKED RSF	DATE 3/12/07
	APPROVED RSF	DATE -

DWG NO	70004	REV	A
SCALE	1:1.25	SHEET	1 OF 14

WEIGHT: 8 LBS

FILE: 70004 PMT BOX TUFTS

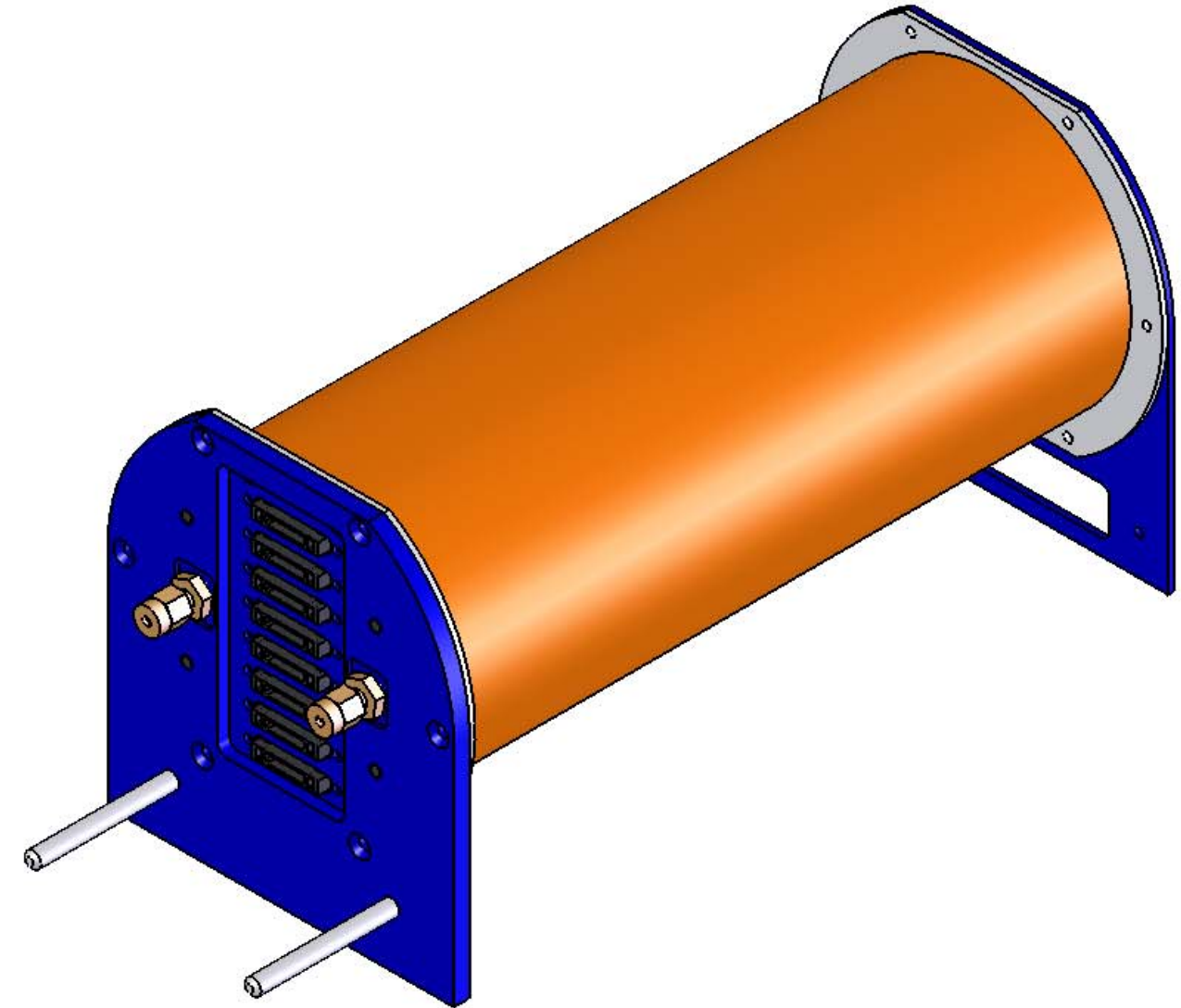
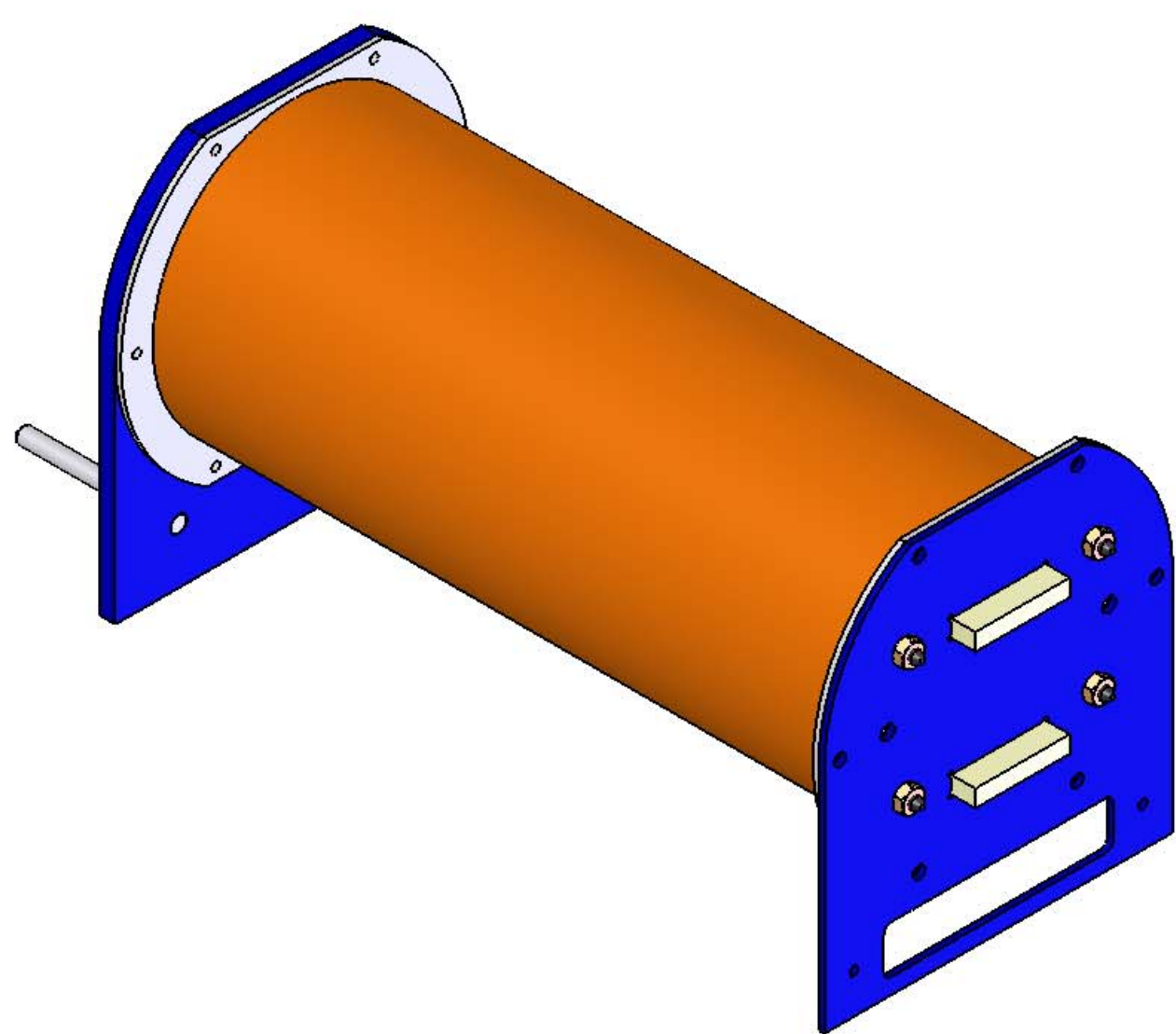
4

3

2

1

REVISIONS				
ZONE	REV	DESCRIPTION	DATE	APPROVED
-	-	SEE SHEET 1	-	-



PMT BOX, TUFTS DESIGN

INCOMPLETE DRAWING

NOTE: DO NOT SCALE DRAWING !
ALL TOLERANCES UNLESS OTHERWISE SPECIFIED ARE

DIMENSIONS ARE IN:
 □ INCHES [mm] □ mm [IN]

x.xxx [x.x] ± .010 [.3]
 x.xxxx [x.xxx] ± .005 [.13]
 x.xxxxx [x.xxxx] ± .0005 [.013]
 x/x ± 1/32
 x' ± 1"

UNIVERSITY OF ROCHESTER
 DEPT. OF PHYSICS AND ASTRONOMY
 SIDNEY W. BARNES RESEARCH LABORATORY

TITLE: PMT BOX ASS'Y

THIRD ANGLE PROJECTION

DRAWN	RSF	DATE	3/12/07
CHECKED	RSF	DATE	3/12/07
APPROVED	RSF	DATE	-

SCALE: 1:1 SHEET: 2 OF 14

WEIGHT: 8 LBS FILE: 70004 PMT_BOX_TUFTS

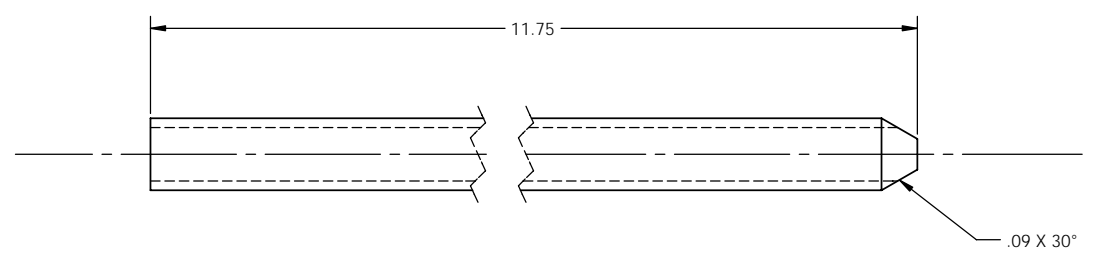
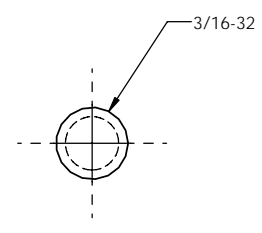
4

3

2

1

REVISIONS				
ZONE	REV	DESCRIPTION	DATE	APPROVED
-	-	SEE SHEET 1	-	-



8 NAME: RAIL
 QTY: 4
 MATL: 3/16-32 BRASS THD ROD
 HARD'N: -
 FINISH: -
 SIZE/TYPE: .19 x 11.75 LG
 WEIGHT: 0.099

NOTE: DO NOT SCALE DRAWING !
 ALL TOLERANCES UNLESS OTHERWISE SPECIFIED ARE

DIMENSIONS ARE IN:
 INCHES [mm] mm [IN]

x.xx [x,x] ± .010 [.3]
 x.xxx [x,xx] ± .005 [.13]
 x.xxxx [x,xxx] ± .0005 [.013]
 xx/xx ± 1/32
 x' ± 1"

UNIVERSITY OF ROCHESTER
 DEPT. OF PHYSICS AND ASTRONOMY
 SIDNEY W. BARNES RESEARCH LABORATORY

TITLE: PMT BOX ASS'Y

THIRD ANGLE PROJECTION

DRAWN	RSF	DATE	3/12/07
CHECKED	RSF	DATE	3/12/07
APPROVED	RSF	DATE	-

THIS IS THE PROPERTY OF THE UNIVERSITY OF ROCHESTER. ANY USE OR REPRODUCTION WITHOUT AUTHORIZATION BY THIS UNIVERSITY IS PROHIBITED.

DWG NO: 70004
 SCALE: 1:1 SHEET 3 OF 14

WEIGHT: 0.099 LBS
 FILE: 70004 PMT BOX TUFTS

4

3

2

B

B

A

A

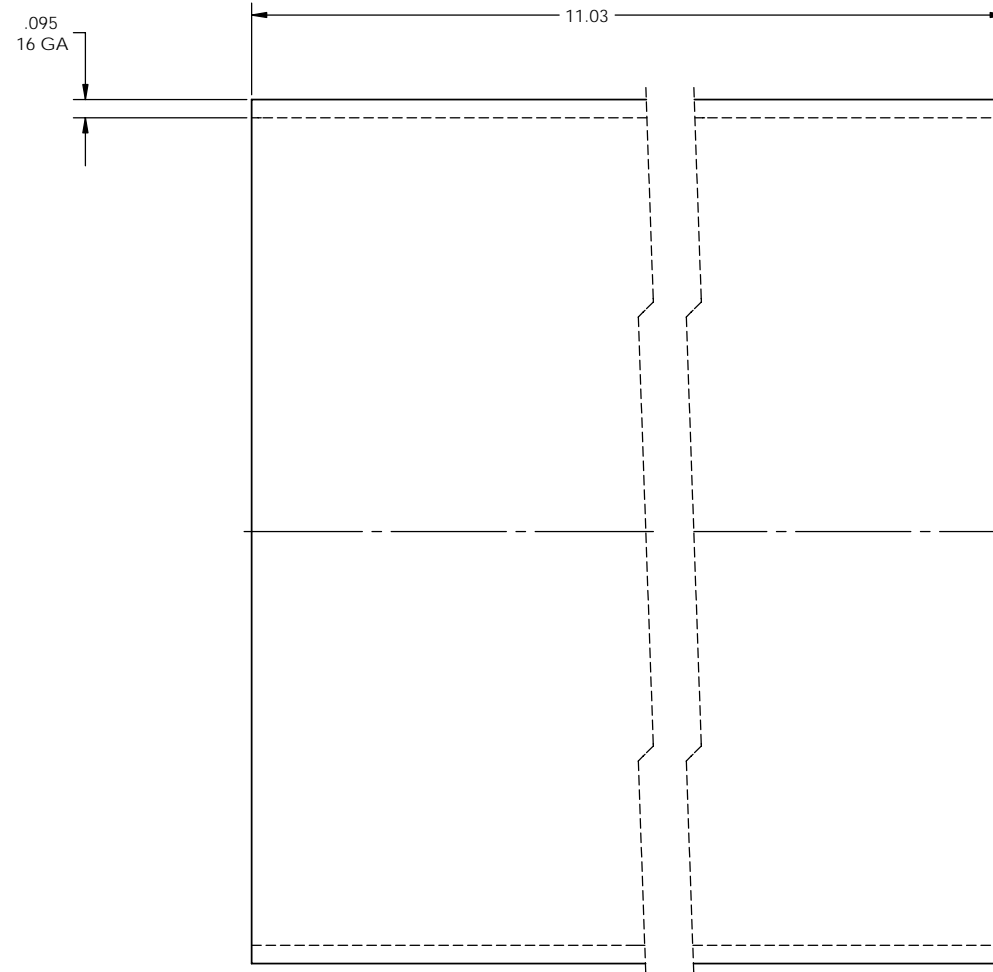
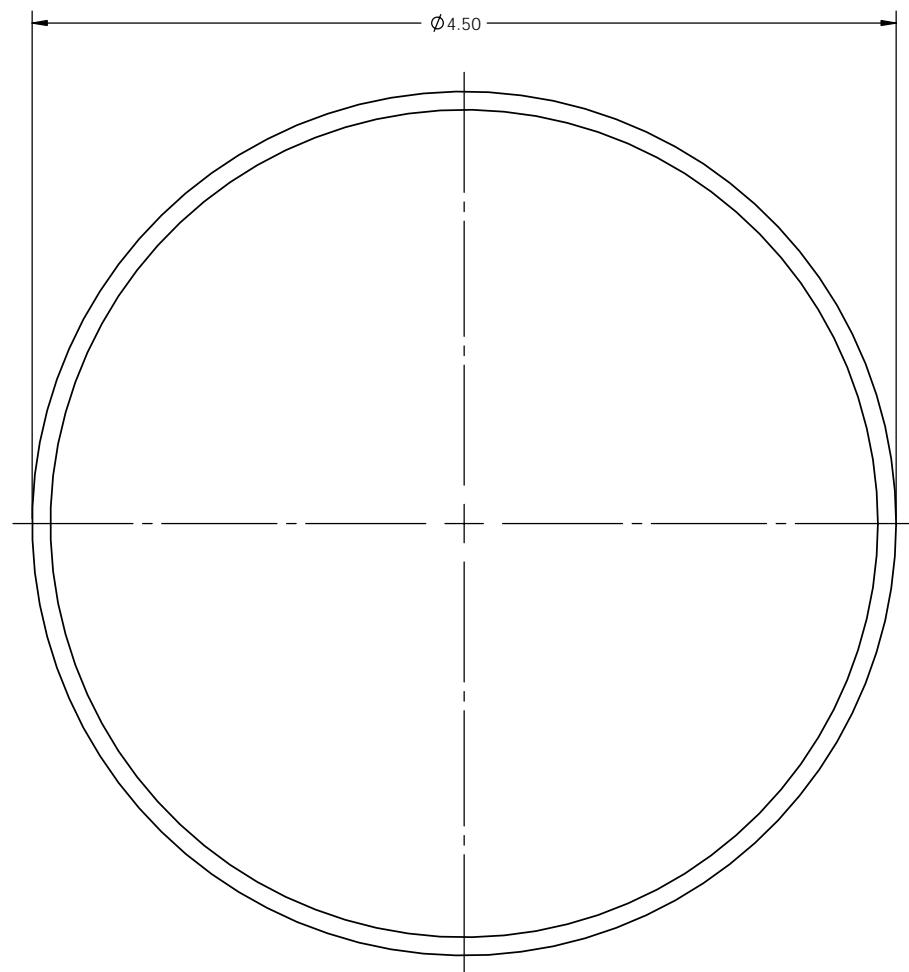
4

3

2

1

REVISIONS				
ZONE	REV	DESCRIPTION	DATE	APPROVED
-	-	SEE SHEET 1	-	-



3 NAME: TUBE
 QTY: 1
 MAT'L: STEEL
 HARD'N: -
 FINISH: POWDER COAT, PER SPEC
 SIZE/TYPE: 4.50 x .095 WALL (16 GA) x 11.03 LG
 WEIGHT: 4.09

NOTE: DO NOT SCALE DRAWING !
 ALL TOLERANCES UNLESS
 OTHERWISE SPECIFIED ARE

DIMENSIONS ARE IN:
 INCHES [mm] mm [IN]

x.xx [x,x] ± .010 [.3]
 x.xxx [x,xx] ± .005 [.13]
 x.xxxx [x,xxx] ± .0005 [.013]
 xx/xx ± 1/32
 x' ± 1"

UNIVERSITY OF ROCHESTER
 DEPT. OF PHYSICS AND ASTRONOMY
 SIDNEY W. BARNES RESEARCH LABORATORY

TITLE: PMT BOX ASS'Y

THIRD ANGLE PROJECTION

DRAWN	RSF	DATE	3/12/07
CHECKED	RSF	DATE	3/12/07
APPROVED	RSF	DATE	-

THIS IS THE PROPERTY OF THE UNIVERSITY OF ROCHESTER. ANY USE OR REPRODUCTION WITHOUT AUTHORIZATION BY THIS UNIVERSITY IS PROHIBITED.

DWG NO	70004	REV	A
SCALE	1:1	SHEET	4 OF 14

WEIGHT: 4.09 LBS FILE: 70004 PMT BOX TUFTS

4

3

2

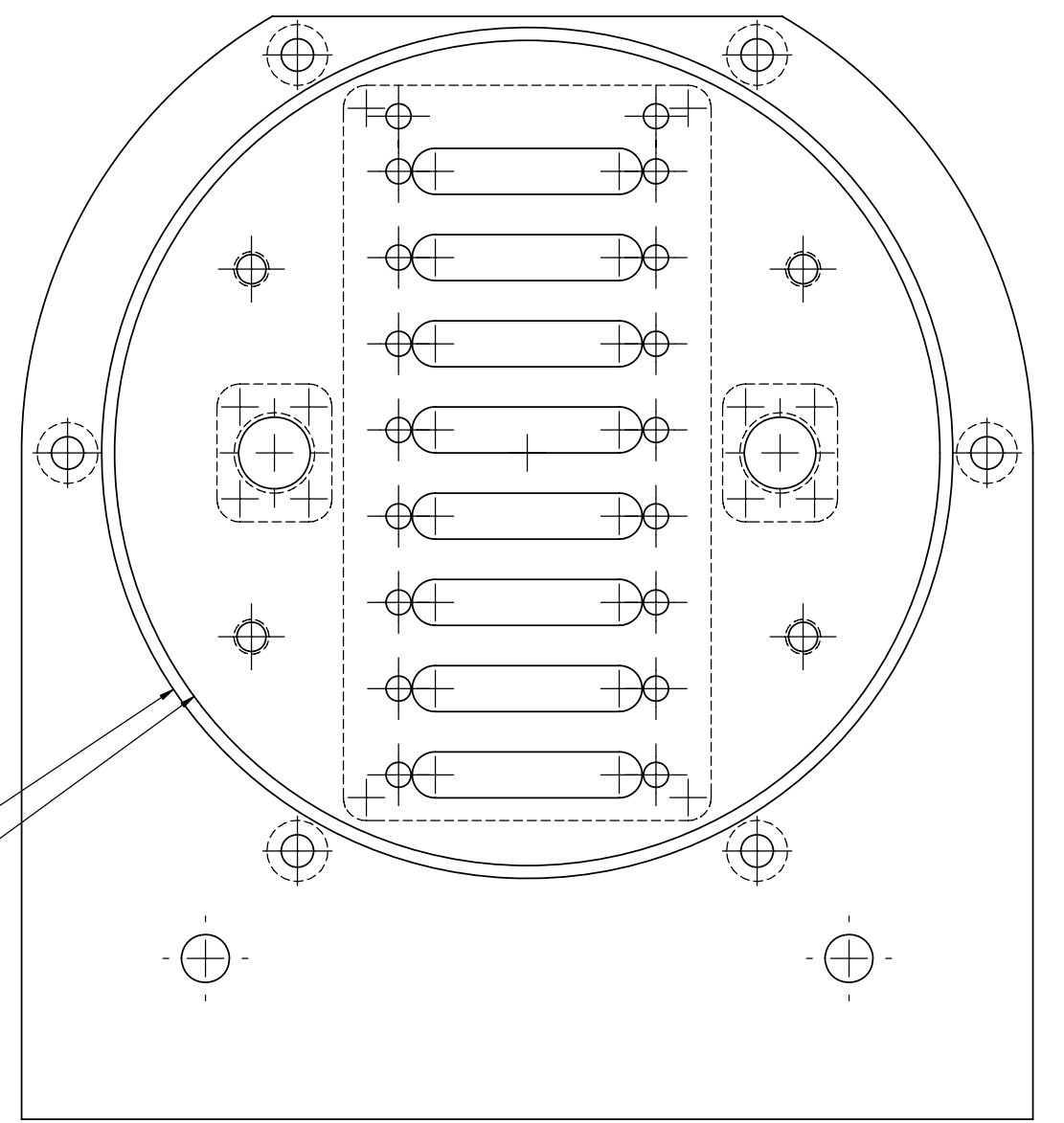
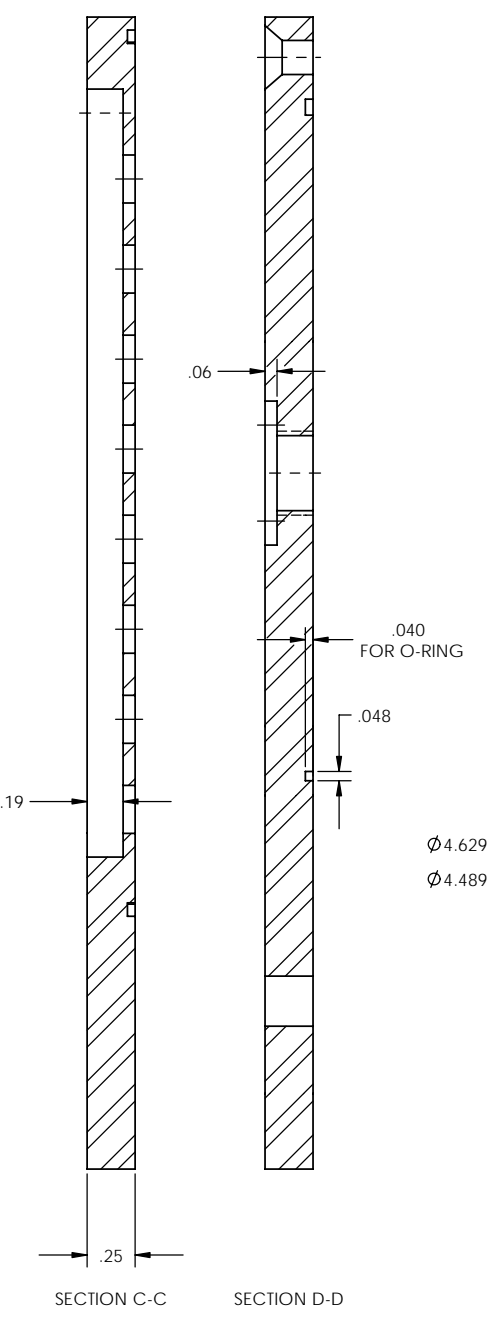
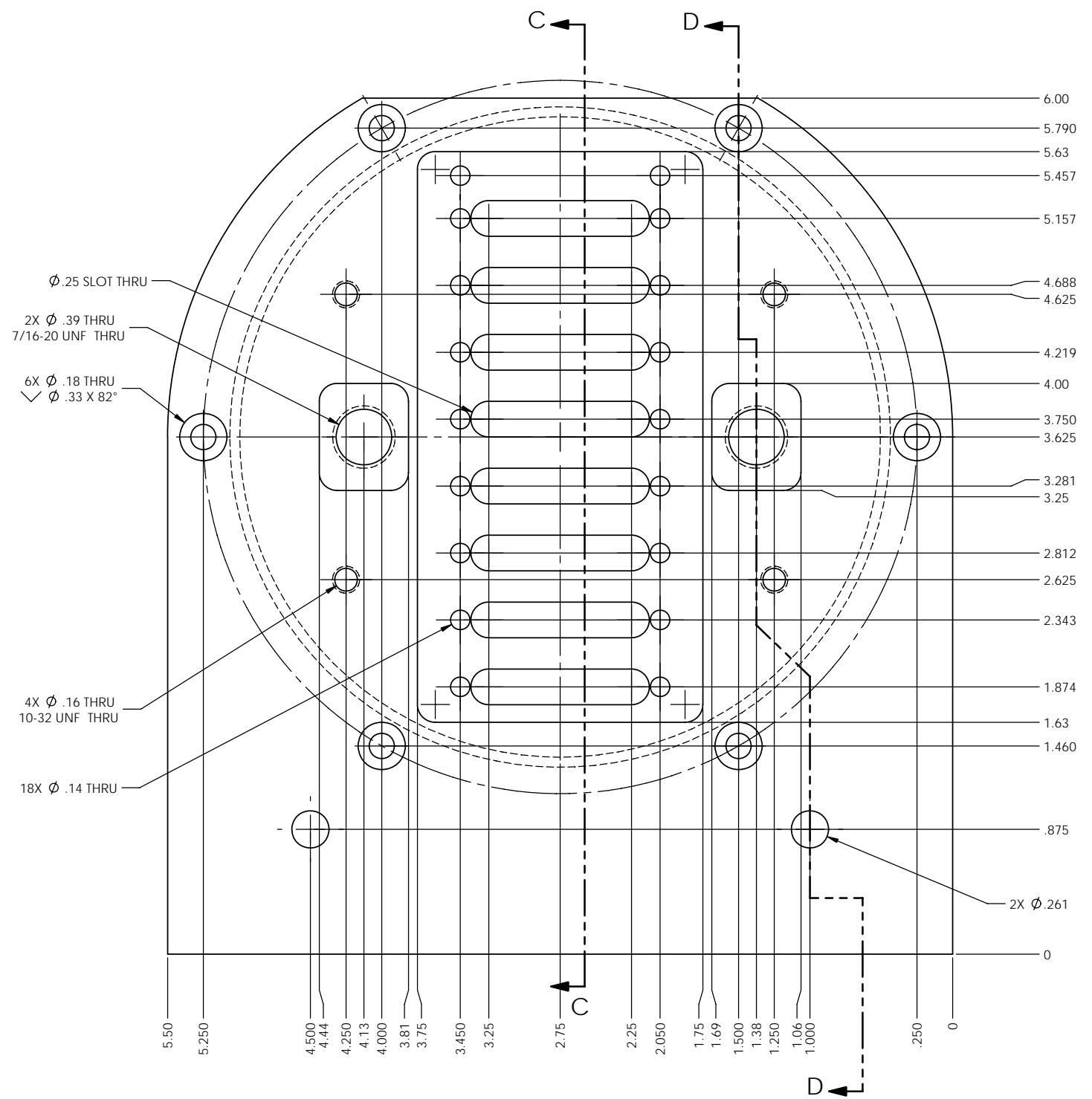
B

A

B

A

REVISIONS				
ZONE	REV	DESCRIPTION	DATE	APPROVED
-	-	SEE SHEET 1	-	-



1 NAME: FIBER CONNECTOR ENDCAP
 QTY: 1
 MATL: CRS
 HARD'N: -
 FINISH: POWDER COAT, PER SPEC
 SIZE/TYPER: .25 x 5.50 x 6.00
 WEIGHT: 1.655

NOTE: DO NOT SCALE DRAWING!
 ALL TOLERANCES UNLESS OTHERWISE SPECIFIED ARE:
 DIMENSIONS ARE IN:
 □ INCHES [mm] □ mm [IN]
 x.xxx [x.x] ± .010 [.3]
 x.xxxx [x.xxx] ± .005 [.13]
 x.xxxxx [x.xxxx] ± .0005 [.013]
 xx/xx ± 1/32
 x' ± 1"

UNIVERSITY OF ROCHESTER DEPT. OF PHYSICS AND ASTRONOMY SIDNEY W. BARNES RESEARCH LABORATORY			
TITLE: PMT BOX ASS'Y			
THIRD ANGLE PROJECTION	DRAWN: RSF	DATE: 3/12/07	
	CHECKED: RSF	DATE: 3/12/07	
	APPROVED: RSF	DATE: -	

THIS IS THE PROPERTY OF THE UNIVERSITY OF ROCHESTER. ANY USE OR REPRODUCTION WITHOUT AUTHORIZATION BY THIS UNIVERSITY IS PROHIBITED.	DWG NO: 70004	REV: A
SCALE: 2:1	SHEET: 5 OF 14	

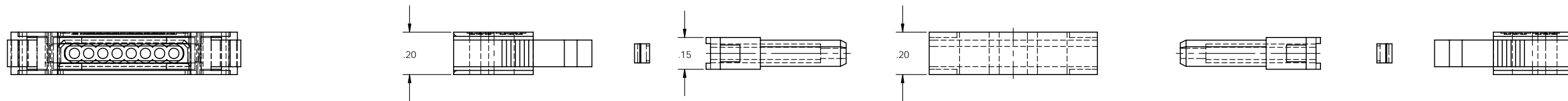
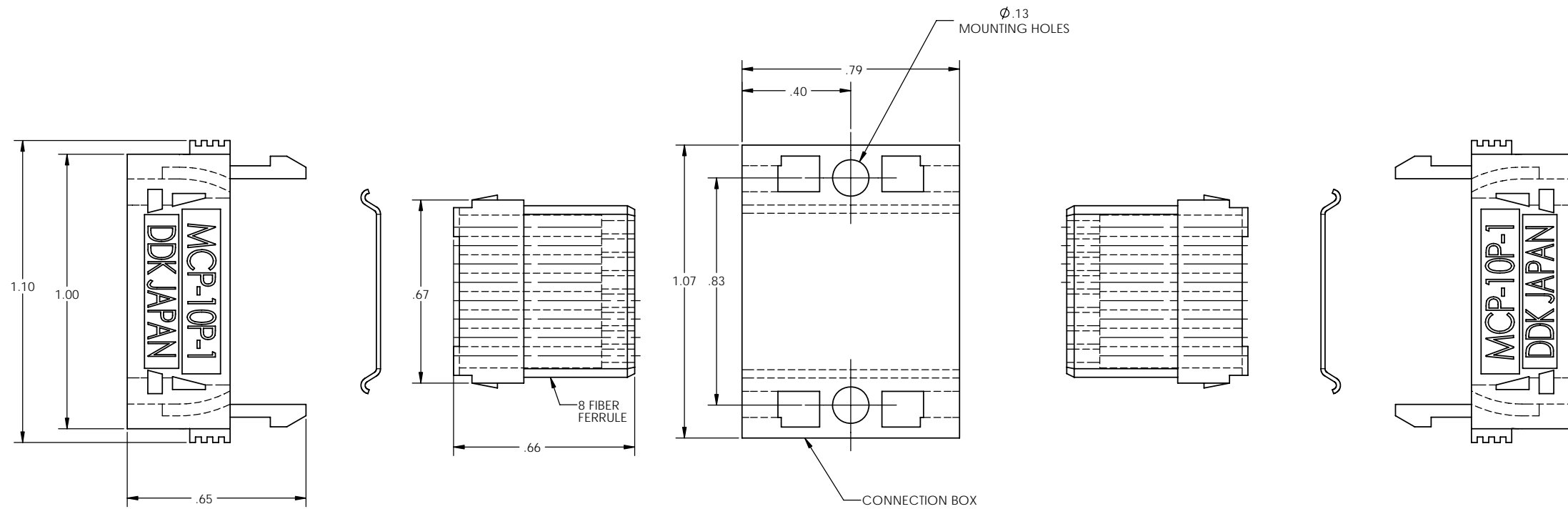
4

3

2

1

REVISIONS				
ZONE	REV.	DESCRIPTION	DATE	APPROVED
-	-	SEE SHEET 1	-	-



17 NAME: FIBER CONNECTOR ASS'Y
 QTY: A/R
 MAT'L: DDK, JAPAN
 HARD'N: -
 FINISH: -
 SIZE/TYPE: .200 x .793 x 1.067
 WEIGHT: 0.010

NOTE: DO NOT SCALE DRAWING!
 ALL TOLERANCES UNLESS OTHERWISE SPECIFIED ARE

DIMENSIONS ARE IN:
 □ INCHES [mm] □ mm [IN]

x.xxx [x.x] ± .010 [.3]
 x.xxxx [x.xxx] ± .005 [.13]
 x.xxxxx [x.xxxx] ± .0005 [.013]
 xx/xx ± 1/32
 x' ± 1"

UNIVERSITY OF ROCHESTER
 DEPT. OF PHYSICS AND ASTRONOMY
 SIDNEY W. BARNES RESEARCH LABORATORY

TITLE
 PMT BOX ASS'Y

THIRD ANGLE PROJECTION	DRAWN RSF	DATE 3/12/07
	CHECKED RSF	DATE 3/12/07
	APPROVED RSF	DATE -

THIS IS THE PROPERTY OF THE UNIVERSITY OF ROCHESTER. ANY USE OR REPRODUCTION WITHOUT AUTHORIZATION BY THIS UNIVERSITY IS PROHIBITED.	DWG NO 70004	REV A
SCALE 1:1	SHEET 6 OF 14	

WEIGHT: 0.011 LBS

FILE: 70004 PMT BOX TUFTS

4

3

2

B

A

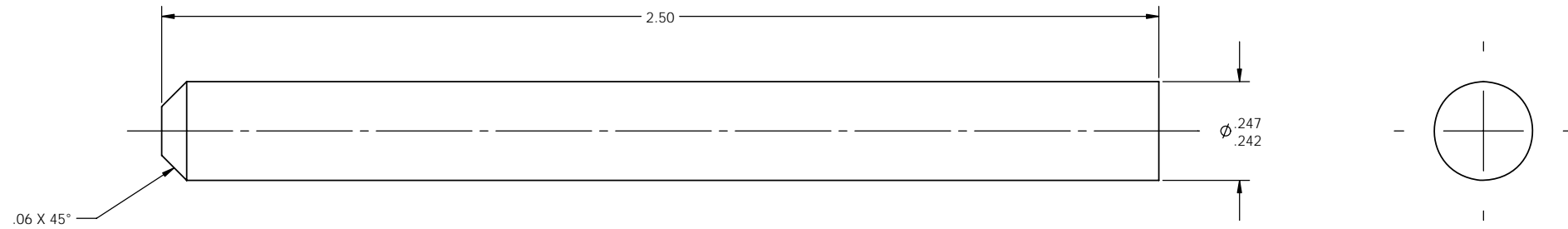
4

3

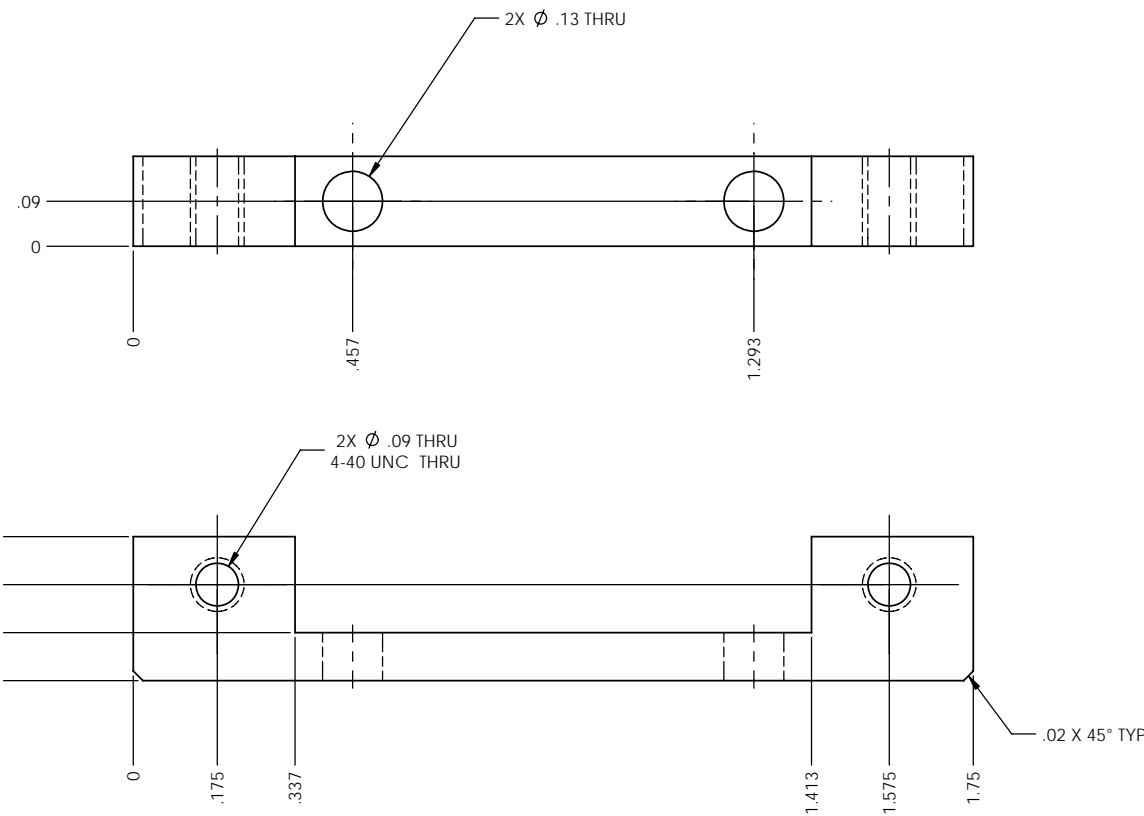
2

1

REVISIONS				
ZONE	REV	DESCRIPTION	DATE	APPROVED
-	-	SEE SHEET 1	-	-



14 NAME: STUD MOUNTING
 QTY: 2
 MAT'L: MCMASTER CARR
 HARD'N: -
 FINISH: -
 SIZE/TYPE: 8920K11 (.25 DIA x 2.50 LG)
 WEIGHT: 0.033



17 NAME: CONNECTOR SUPPORT BRACKET
 QTY: 2
 MAT'L: ALUM
 HARD'N: -
 FINISH: -
 SIZE/TYPE: .19 x .30 x 1.75
 WEIGHT: 0.005

NOTE: DO NOT SCALE DRAWING !
 ALL TOLERANCES UNLESS OTHERWISE SPECIFIED ARE

DIMENSIONS ARE IN:
 INCHES [mm] mm [IN]

x.xxx [x,x] ± .010 [.3]
 x.xxxx [x,xxx] ± .005 [.13]
 x.xxxxx [x,xxxx] ± .0005 [.013]
 xx/xx ± 1/32
 x' ± 1"

UNIVERSITY OF ROCHESTER
 DEPT. OF PHYSICS AND ASTRONOMY
 SIDNEY W. BARNES RESEARCH LABORATORY

TITLE: PMT BOX ASS'Y

THIRD ANGLE PROJECTION

DRAWN	RSF	DATE	3/12/07
CHECKED	RSF	DATE	3/12/07
APPROVED	RSF	DATE	-

SCALE: 5:1 SHEET 7 OF 14

WEIGHT: 0.005 LBS

FILE: 70004 PMT BOX TUFTS

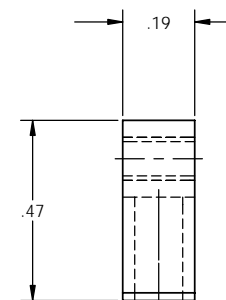
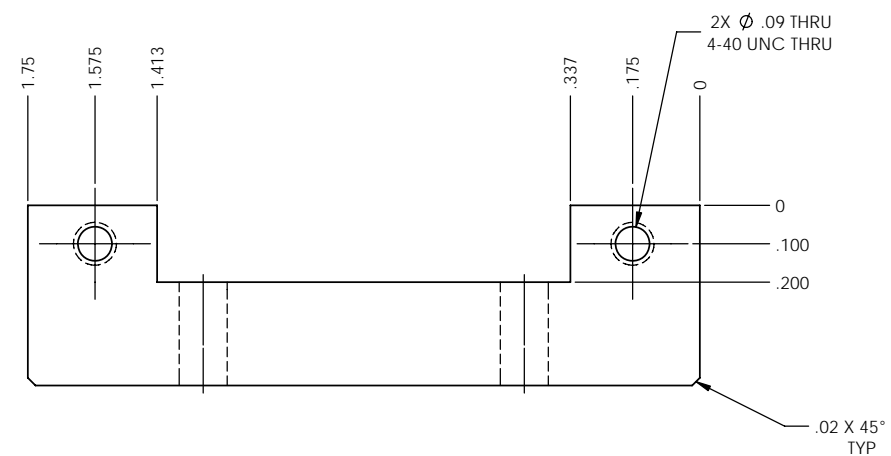
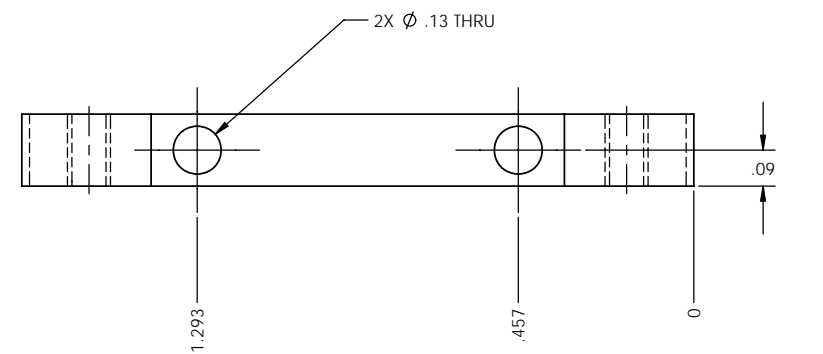
4

3

2

1

REVISIONS				
ZONE	REV	DESCRIPTION	DATE	APPROVED
-	-	SEE SHEET 1	-	-



18

NAME: CONNECTOR SUPPORT 02
 QTY: 7
 MATL: ALUM
 HARDN: -
 FINISH: -
 SIZE/TYPE: .19 x .47 x 1.75
 WEIGHT: 0.010

NOTE: DO NOT SCALE DRAWING !
 ALL TOLERANCES UNLESS OTHERWISE SPECIFIED ARE

DIMENSIONS ARE IN:
 INCHES [mm] mm [IN]

x.xx [x,x] ± .010 [.3]
 x.xxx [x,xx] ± .005 [.13]
 x.xxxx [x,xxx] ± .0005 [.013]
 xx/xx ± 1/32
 x' ± 1"

UNIVERSITY OF ROCHESTER
 DEPT. OF PHYSICS AND ASTRONOMY
 SIDNEY W. BARNES RESEARCH LABORATORY

TITLE: PMT BOX ASS'Y

THIRD ANGLE PROJECTION

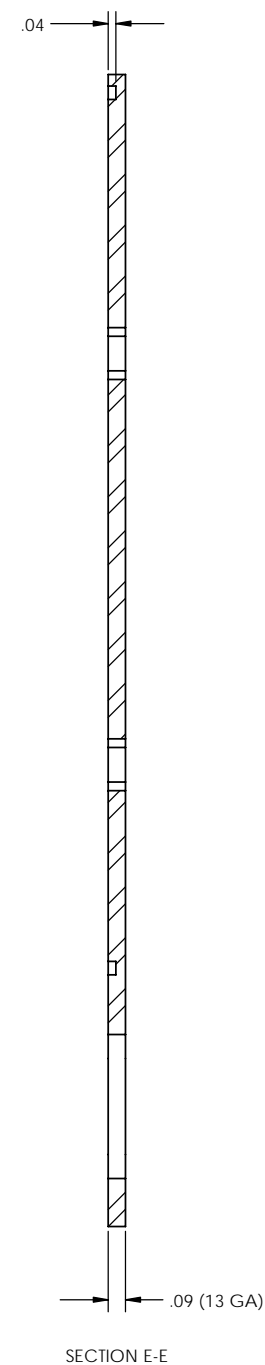
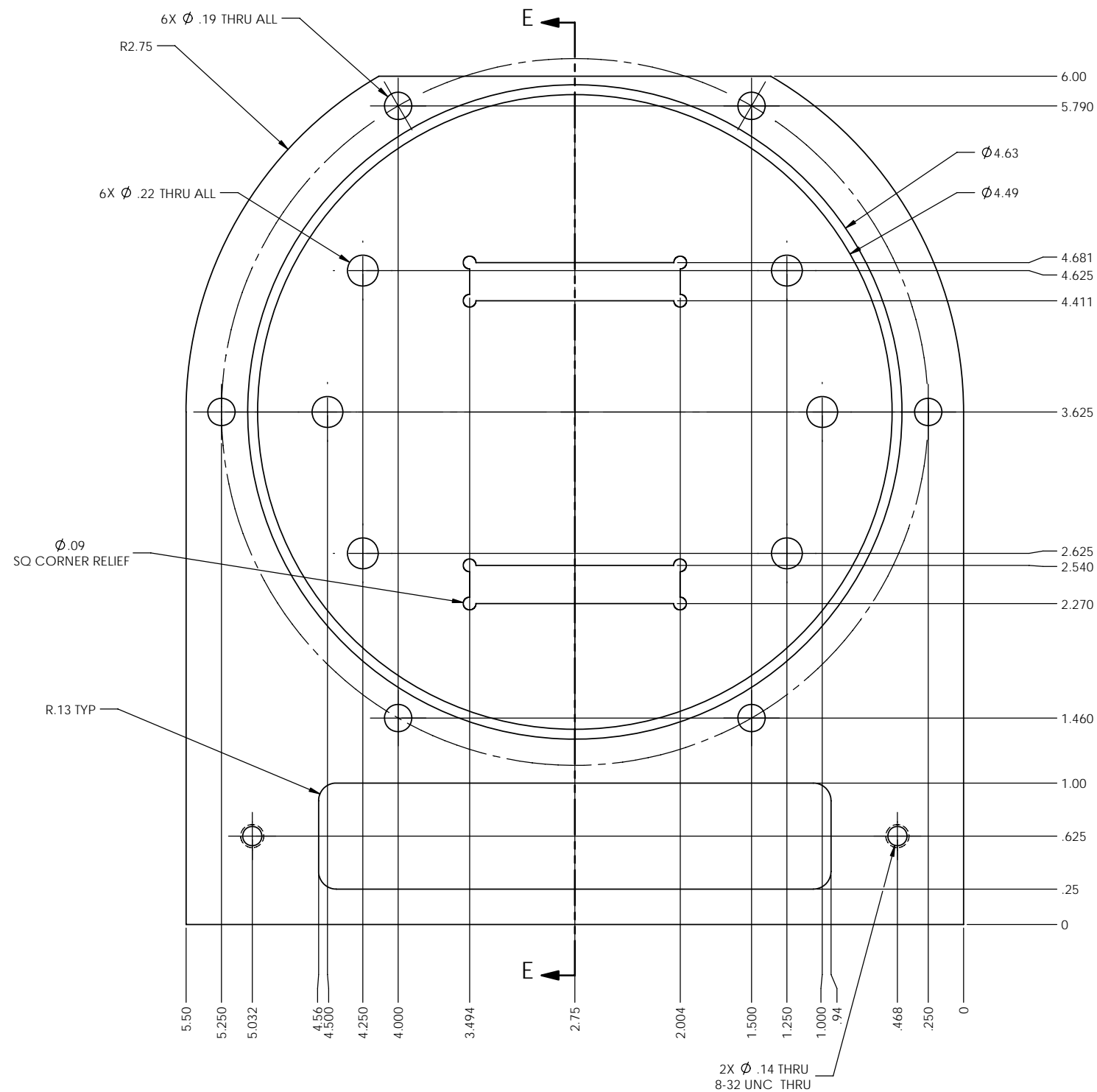
DRAWN	RSF	DATE	3/12/07
CHECKED	RSF	DATE	3/12/07
APPROVED	RSF	DATE	-

THIS IS THE PROPERTY OF THE UNIVERSITY OF ROCHESTER. ANY USE OR REPRODUCTION WITHOUT AUTHORIZATION BY THIS UNIVERSITY IS PROHIBITED.

DWG NO: 70004
 SCALE: 4:1 SHEET: 8 OF 14

WEIGHT: 0.010 LBS
 FILE: 70004 PMT BOX TUFTS

REVISIONS				
ZONE	REV	DESCRIPTION	DATE	APPROVED
-	-	SEE SHEET 1	-	-



7 NAME: HIGH VOLTAGE ENDCAP
QTY: 1
MAT'L: CRS
FINISH: POWDER COAT, PER SPEC
SIZE/TYPE: .09 (13 GA) x 5.50 x 6.00
WEIGHT: 0.677

NOTE: DO NOT SCALE DRAWING !
ALL TOLERANCES UNLESS OTHERWISE SPECIFIED ARE

DIMENSIONS ARE IN:
 INCHES [mm] mm [IN]

x.xxx [x.x] ± .010 [.3]
x.xxxx [x.xxx] ± .005 [.13]
x.xxxxx [x.xxxx] ± .0005 [.013]
xx/xx ± 1/32
x' ± 1"

UNIVERSITY OF ROCHESTER
DEPT. OF PHYSICS AND ASTRONOMY
SIDNEY W. BARNES RESEARCH LABORATORY

TITLE: PMT BOX ASS'Y

THIRD ANGLE PROJECTION

DRAWN	RSF	DATE	3/12/07
CHECKED	RSF	DATE	3/12/07
APPROVED	RSF	DATE	-

THIS IS THE PROPERTY OF THE UNIVERSITY OF ROCHESTER. ANY USE OR REPRODUCTION WITHOUT AUTHORIZATION BY THIS UNIVERSITY IS PROHIBITED.

DWG NO: 70004
SCALE: 2:1 SHEET: 9 OF 14

WEIGHT: 0.677 LBS FILE: 70004 PMT BOX TUFTS

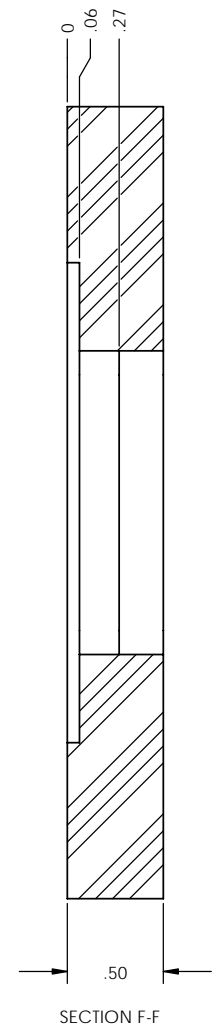
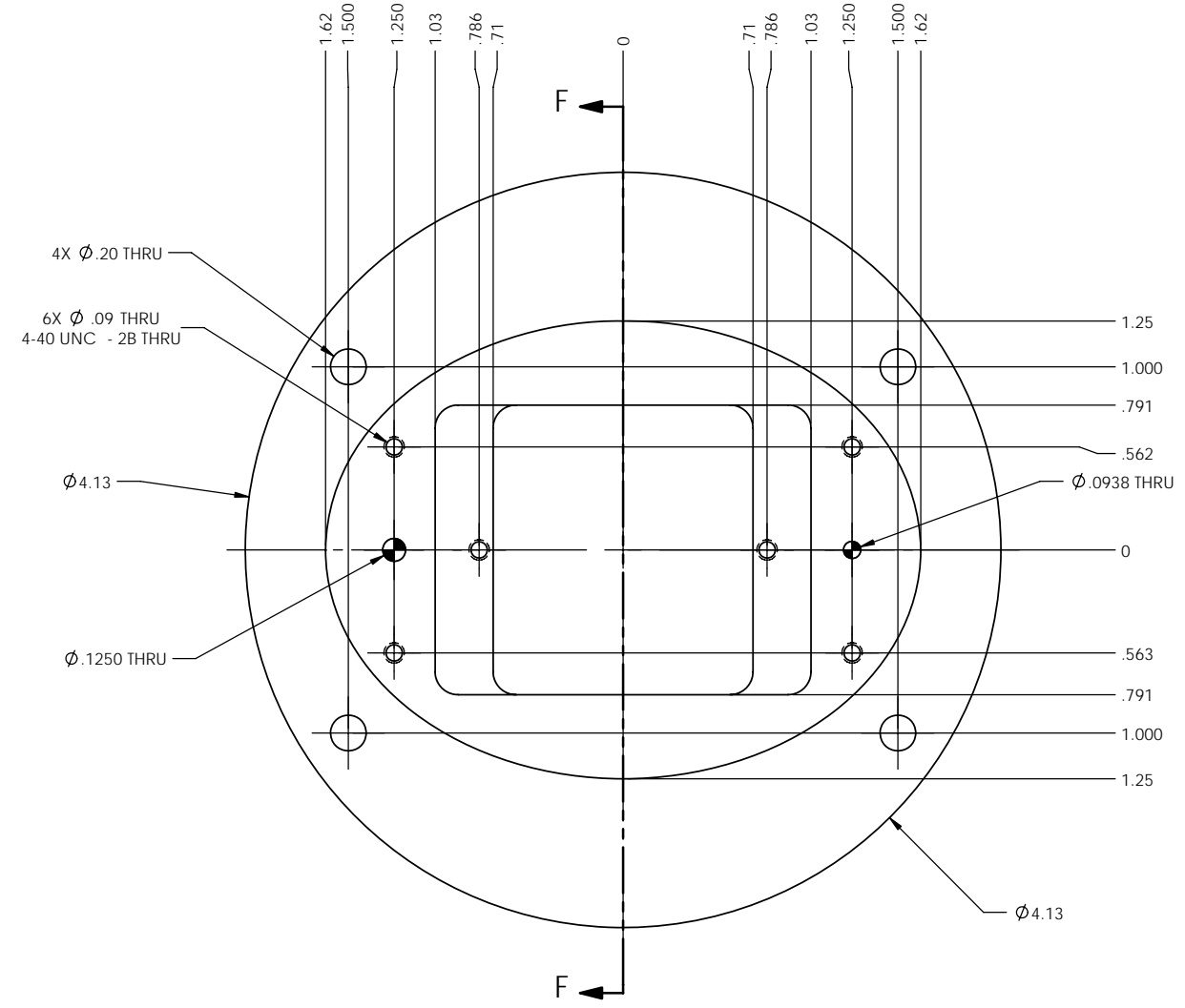
4

3

2

1

REVISIONS				
ZONE	REV	DESCRIPTION	DATE	APPROVED
-	-	SEE SHEET 1	-	-



5 NAME: COOKIE HOLDER
 QTY: 1
 MAT'L: NORYL, BLACK
 HARD'N: -
 FINISH: -
 SIZE/TYPE: 4.13 DIA x .50 THK
 WEIGHT: 0.254

NOTE: DO NOT SCALE DRAWING !
 ALL TOLERANCES UNLESS OTHERWISE SPECIFIED ARE

DIMENSIONS ARE IN:
 □ INCHES [mm] □ mm [IN]

x.xxx [x.x] ± .010 [.3]
 x.xxxx [x.xxx] ± .005 [.13]
 x.xxxxx [x.xxxx] ± .0005 [.013]
 xx/xx ± 1/32
 x' ± 1"

UNIVERSITY OF ROCHESTER
 DEPT. OF PHYSICS AND ASTRONOMY
 SIDNEY W. BARNES RESEARCH LABORATORY

TITLE: PMT BOX ASS'Y

THIRD ANGLE PROJECTION

DRAWN	RSF	DATE	3/12/07
CHECKED	RSF	DATE	3/12/07
APPROVED	RSF	DATE	-

THIS IS THE PROPERTY OF THE UNIVERSITY OF ROCHESTER. ANY USE OR REPRODUCTION WITHOUT AUTHORIZATION BY THIS UNIVERSITY IS PROHIBITED.	DWG NO	70004	REV	A
SCALE	2:1	SHEET	10 OF 14	

4

3

2

B

B

A

A

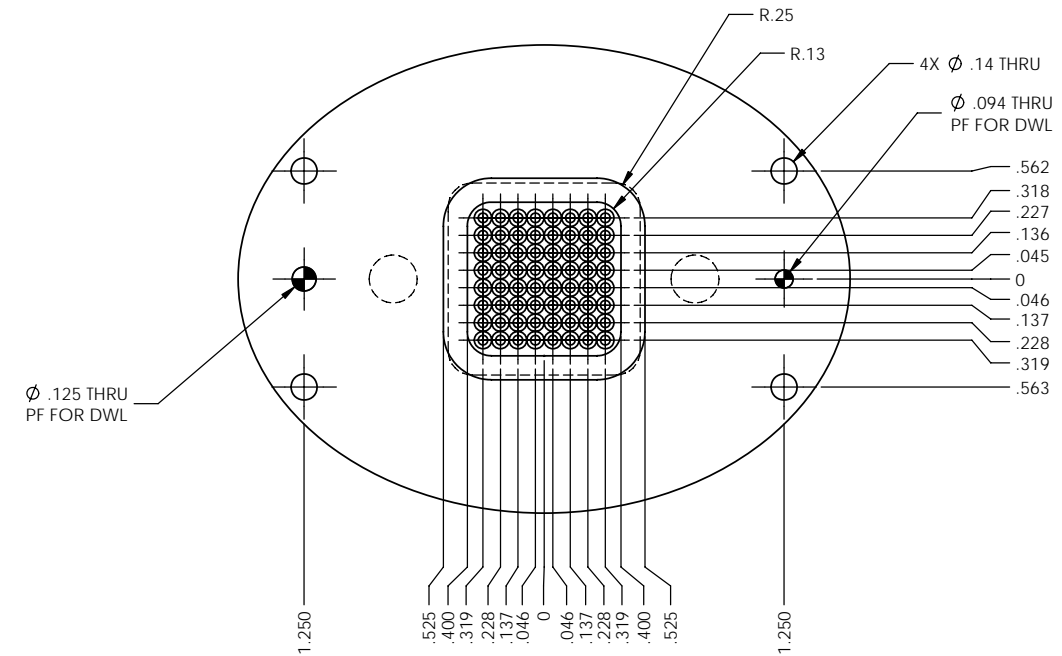
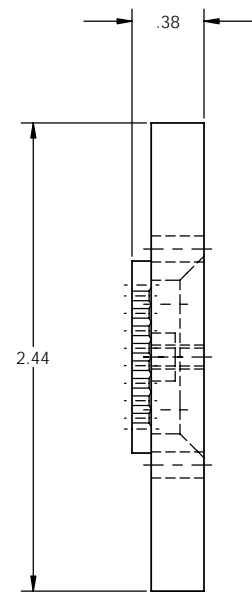
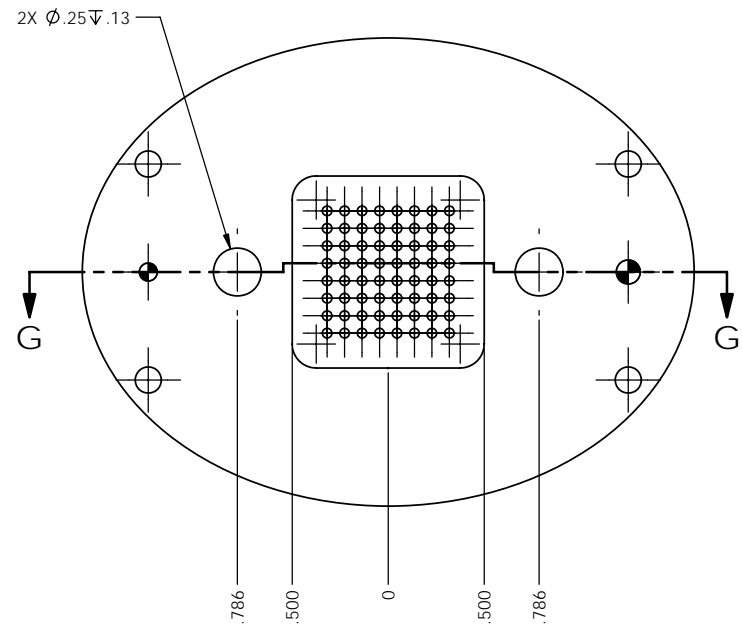
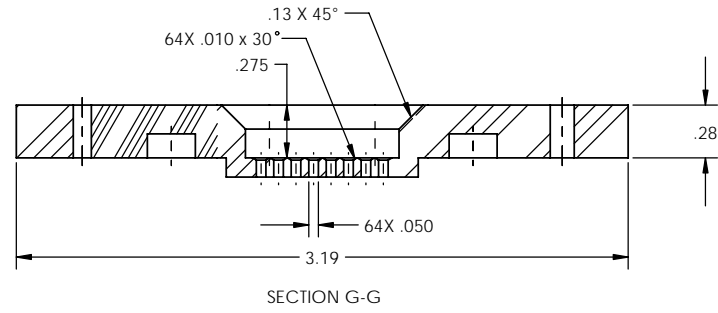
4

3

2

1

REVISIONS				
ZONE	REV.	DESCRIPTION	DATE	APPROVED
-	-	SEE SHEET 1	-	-



4 NAME: COOKIE
 QTY: 1
 MAT'L: NORYL, BLACK
 HARD'N: -
 FINISH: -
 SIZE/TYPE: .38 x 2.44 x 3.19
 WEIGHT: 0.077

NOTE: DO NOT SCALE DRAWING!
 ALL TOLERANCES UNLESS OTHERWISE SPECIFIED ARE:
 DIMENSIONS ARE IN:
 □ INCHES [mm] □ mm [IN]
 x.xxx [x.x] ± .010 [.3]
 x.xxxx [x.xxx] ± .005 [.13]
 x.xxxxx [x.xxxx] ± .0005 [.013]
 xx/xx ± 1/32
 x' ± 1"

UNIVERSITY OF ROCHESTER
 DEPT. OF PHYSICS AND ASTRONOMY
 SIDNEY W. BARNES RESEARCH LABORATORY

TITLE: PMT BOX ASS'Y

THIRD ANGLE PROJECTION

DRAWN	RSF	DATE	3/12/07
CHECKED	RSF	DATE	3/12/07
APPROVED	RSF	DATE	-

THIS IS THE PROPERTY OF THE UNIVERSITY OF ROCHESTER. ANY USE OR REPRODUCTION WITHOUT AUTHORIZATION BY THIS UNIVERSITY IS PROHIBITED.

DWG NO	70004	REV	A
SCALE	2:1	SHEET	11 OF 14

WEIGHT: 0.077 LBS FILE: 70004 PMT BOX TUFTS

4

3

2

B

A

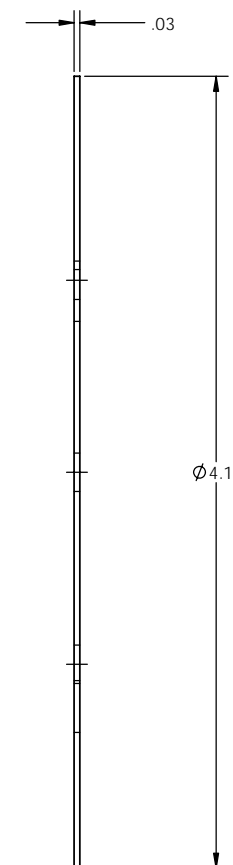
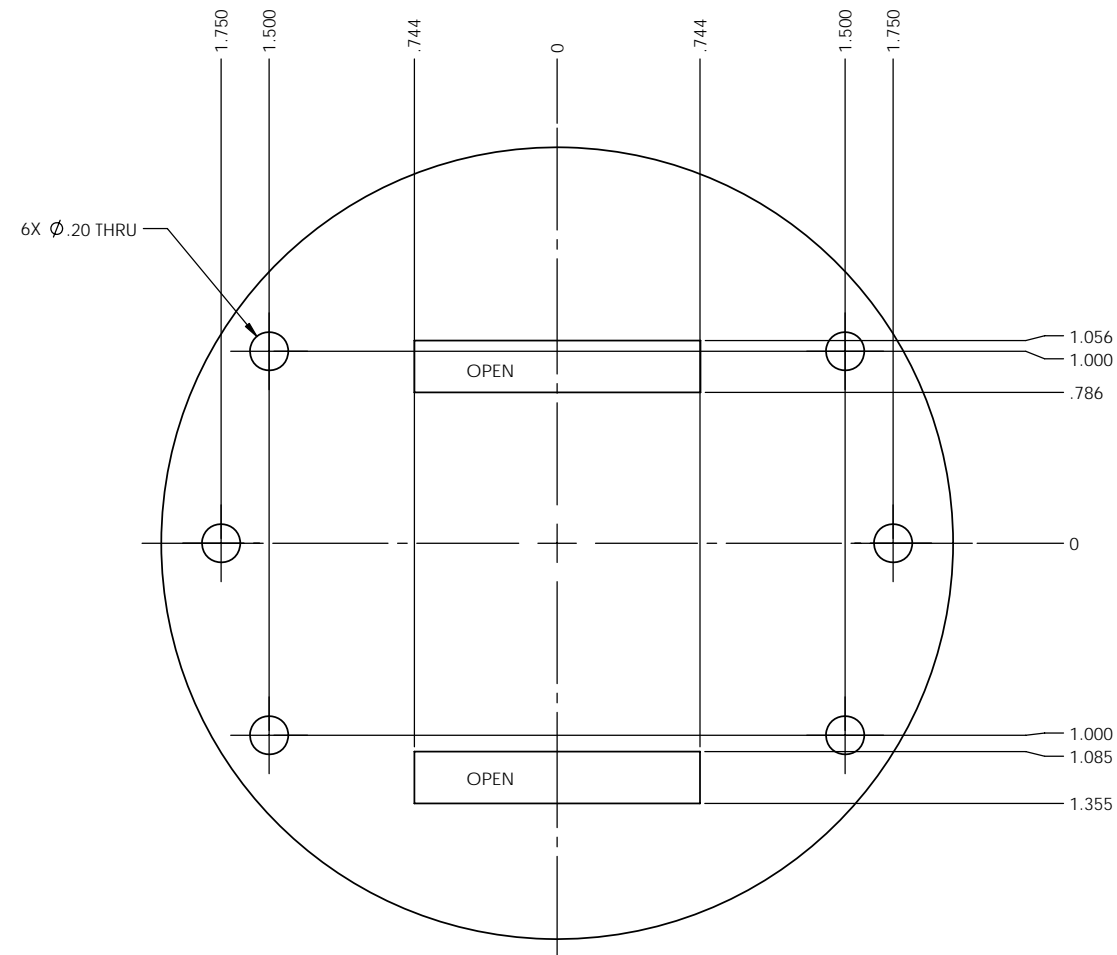
4

3

2

1

REVISIONS				
ZONE	REV	DESCRIPTION	DATE	APPROVED
-	-	SEE SHEET 1	-	-



10

NAME: CIRCUIT BOARD GASKET
 QTY: 1
 MAT'L: RUBBER or CORK
 HARD'N: -
 FINISH: -
 SIZE/TYPE: 4.12 DIA x .03 THK
 WEIGHT: 0.013

NOTE: DO NOT SCALE DRAWING !
 ALL TOLERANCES UNLESS
 OTHERWISE SPECIFIED ARE

DIMENSIONS ARE IN:
 □ INCHES [mm] □ mm [IN]
 x.xx [x,x] ± .010 [.3]
 x.xxx [x,xx] ± .005 [.13]
 x.xxxx [x,xxx] ± .0005 [.013]
 xx/xx ± 1/32
 x' ± 1"

UNIVERSITY OF ROCHESTER
 DEPT. OF PHYSICS AND ASTRONOMY
 SIDNEY W. BARNES RESEARCH LABORATORY

PMT BOX ASS'Y

THIRD ANGLE PROJECTION	DRAWN RSF	DATE 3/12/07
	CHECKED RSF	DATE 3/12/07
	APPROVED RSF	DATE -

THIS IS THE PROPERTY OF THE UNIVERSITY OF
 ROCHESTER. ANY USE OR REPRODUCTION WITHOUT
 AUTHORIZATION BY THIS UNIVERSITY IS PROHIBITED.

DWG NO	70004	REV	A
SCALE	2:1	SHEET	12 OF 14

WEIGHT: 0.013 LBS

FILE: 70004 PMT BOX TUFTS

4

3

2

B

B

A

A

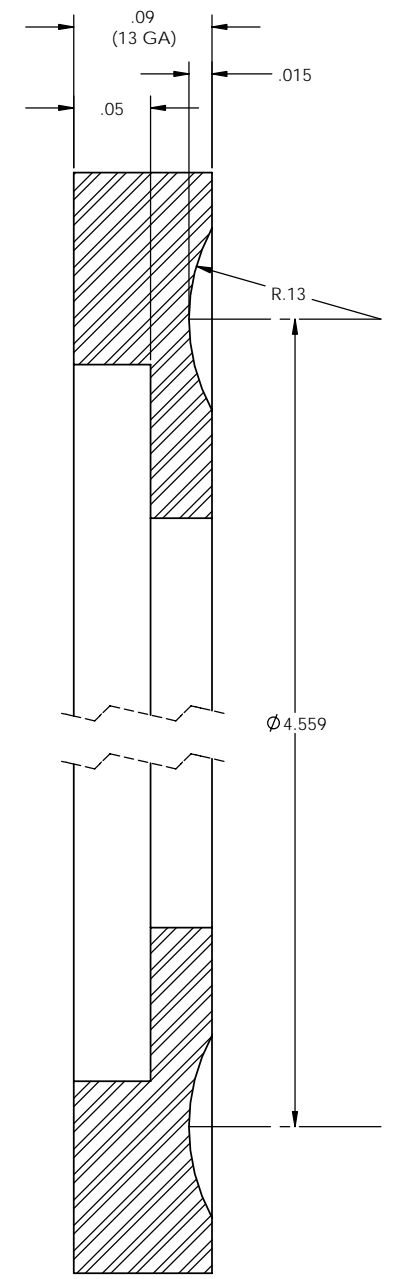
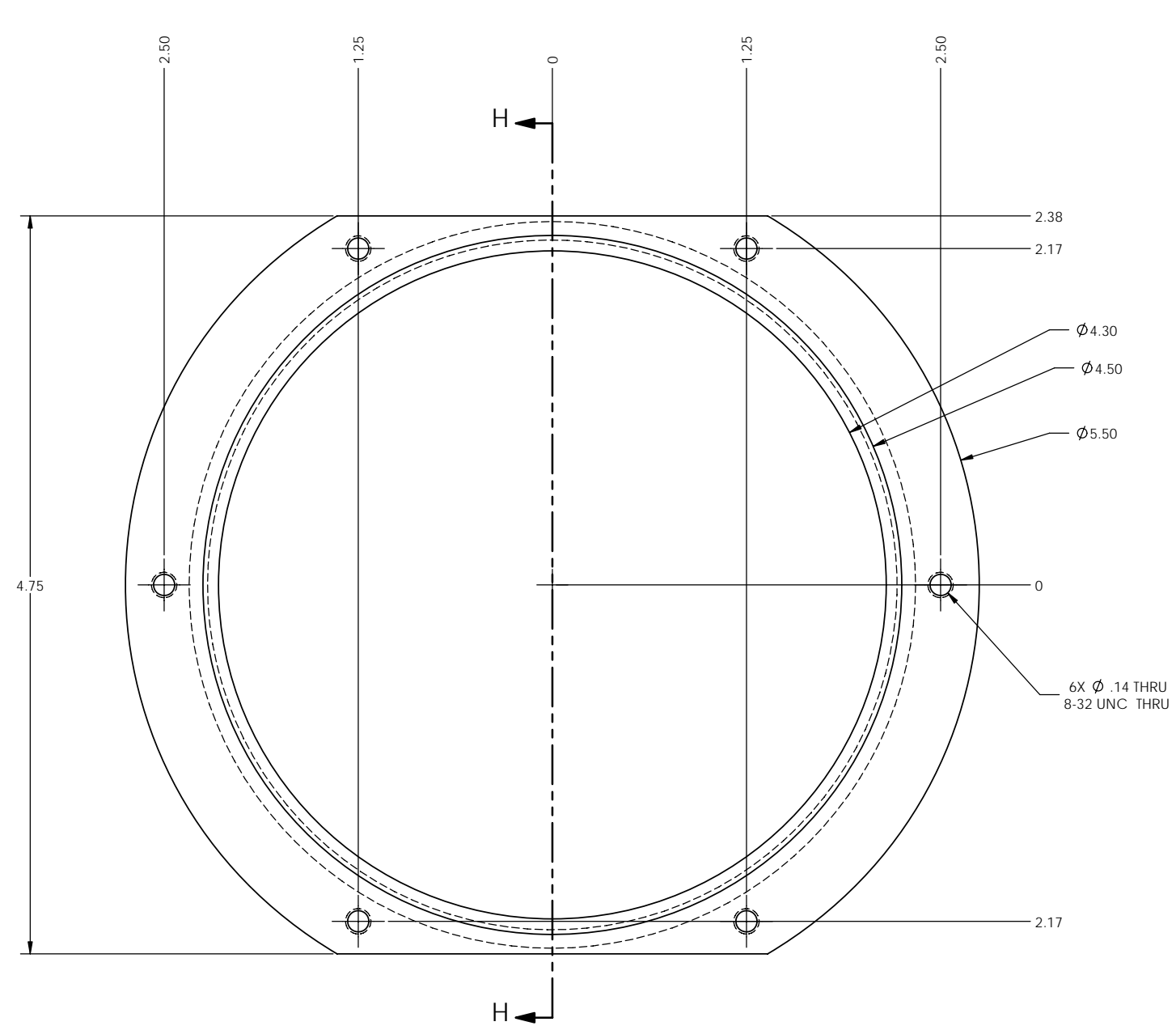
4

3

2

1

REVISIONS				
ZONE	REV.	DESCRIPTION	DATE	APPROVED
-	-	SEE SHEET 1	-	-



SECTION H-H
SCALE 16 : 1

2 NAME: WELDED TUBE ENDCAP
 QTY: 2
 MAT'L: CRS
 HARD'N: -
 FINISH: POWDER COAT, PER SPEC
 SIZE/TYPE: 5.50 DIA x .09 LG (13 GA)
 WEIGHT: 0.172

NOTE: DO NOT SCALE DRAWING !
 ALL TOLERANCES UNLESS OTHERWISE SPECIFIED ARE

DIMENSIONS ARE IN:
 INCHES [mm] mm [IN]

x.xx [x,x] ± .010 [.3]
 x.xxx [x,xx] ± .005 [.13]
 x.xxxx [x,xxx] ± .0005 [.013]
 xx/xx ± 1/32
 x' ± 1"

UNIVERSITY OF ROCHESTER
 DEPT. OF PHYSICS AND ASTRONOMY
 SIDNEY W. BARNES RESEARCH LABORATORY

TITLE: PMT BOX ASS'Y

THIRD ANGLE PROJECTION

DRAWN	RSF	DATE	3/12/07
CHECKED	RSF	DATE	3/12/07
APPROVED	RSF	DATE	-

SCALE: 2:1 SHEET 13 OF 14

WEIGHT: 0.172 LBS

FILE: 70004 PMT BOX TUFTS

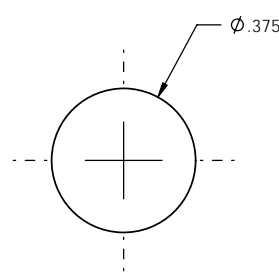
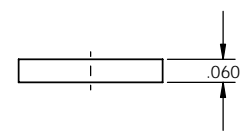
4

3

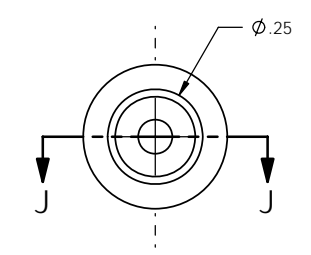
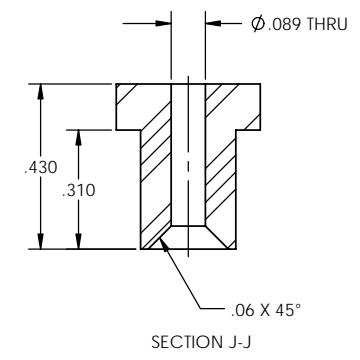
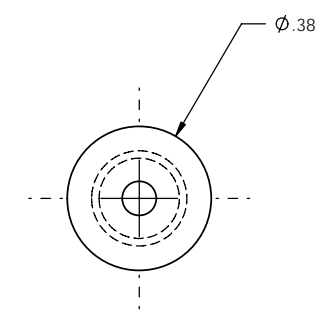
2

1

REVISIONS				
ZONE	REV	DESCRIPTION	DATE	APPROVED
-	-	SEE SHEET 1	-	-



17 NAME: LENS
 QTY: 2
 MAT'L: HDPE
 HARD'N: -
 FINISH: -
 SIZE/TYPE: .375 DIA x .060 THK
 WEIGHT: 0.000



16 NAME: BUSHING OPTICAL CABLE
 QTY: 2
 MAT'L: POLYCARBONATE-WHITE
 HARD'N: -
 FINISH: -
 SIZE/TYPE: .38 DIA x .43 LG
 WEIGHT: 0.001

NOTE: DO NOT SCALE DRAWING !
 ALL TOLERANCES UNLESS OTHERWISE SPECIFIED ARE

DIMENSIONS ARE IN:
 INCHES [mm] mm [IN]

x.xx [x,x] ± .010 [.3]
 x.xxx [x,xx] ± .005 [.13]
 x.xxxx [x,xxx] ± .0005 [.013]
 xx/xx ± 1/32
 x' ± 1"

UNIVERSITY OF ROCHESTER
 DEPT. OF PHYSICS AND ASTRONOMY
 SIDNEY W. BARNES RESEARCH LABORATORY

TITLE: PMT BOX ASS'Y

THIRD ANGLE PROJECTION

DRAWN	RSF	DATE	3/12/07
CHECKED	RSF	DATE	3/12/07
APPROVED	RSF	DATE	-

THIS IS THE PROPERTY OF THE UNIVERSITY OF ROCHESTER. ANY USE OR REPRODUCTION WITHOUT AUTHORIZATION BY THIS UNIVERSITY IS PROHIBITED.

DWG NO: 70004
 SCALE: 4:1 SHEET 14 OF 14

WEIGHT: 0.000 LBS
 FILE: 70004 PMT BOX TUFTS

4

3

2

B

B

A

A