

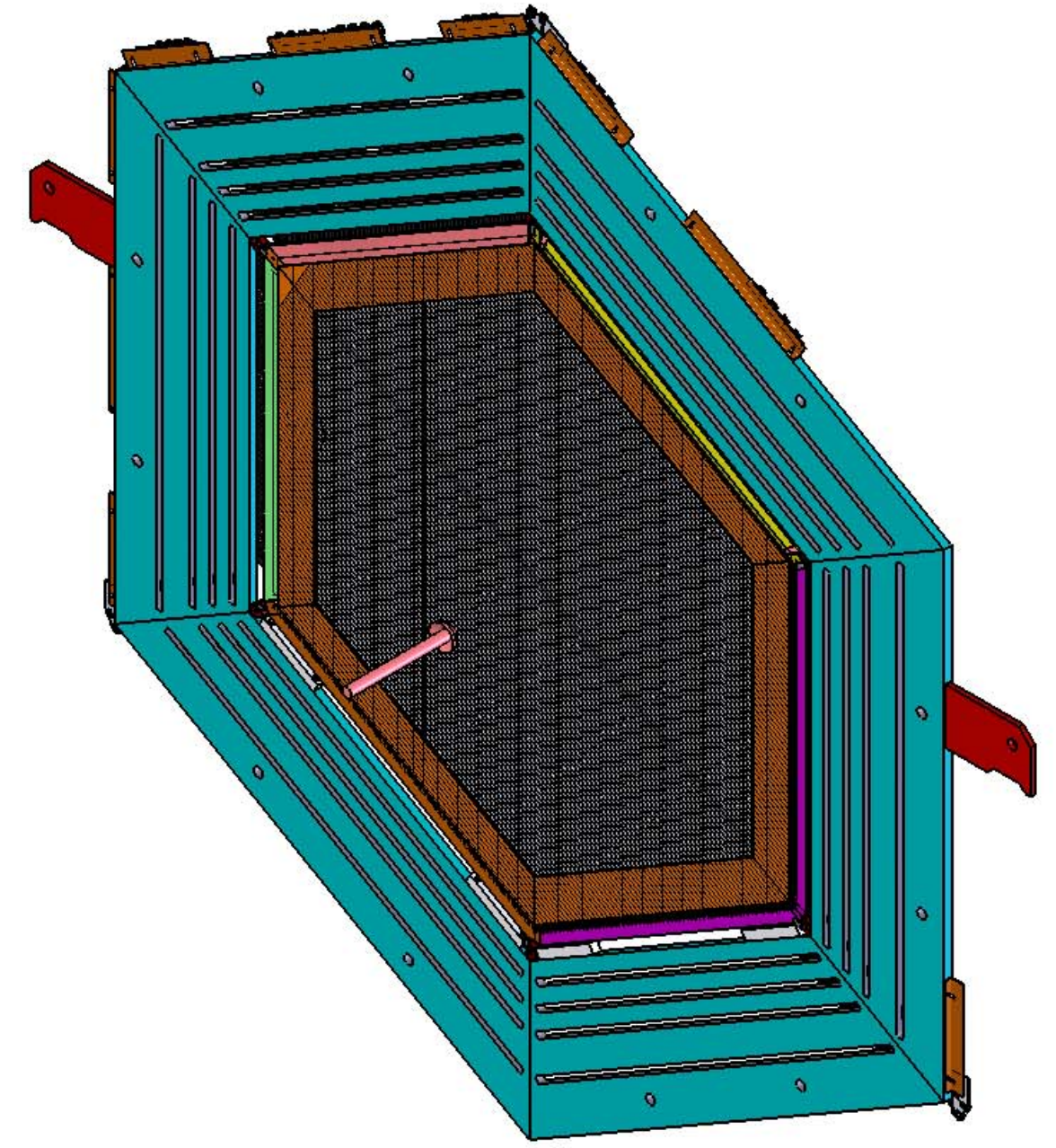
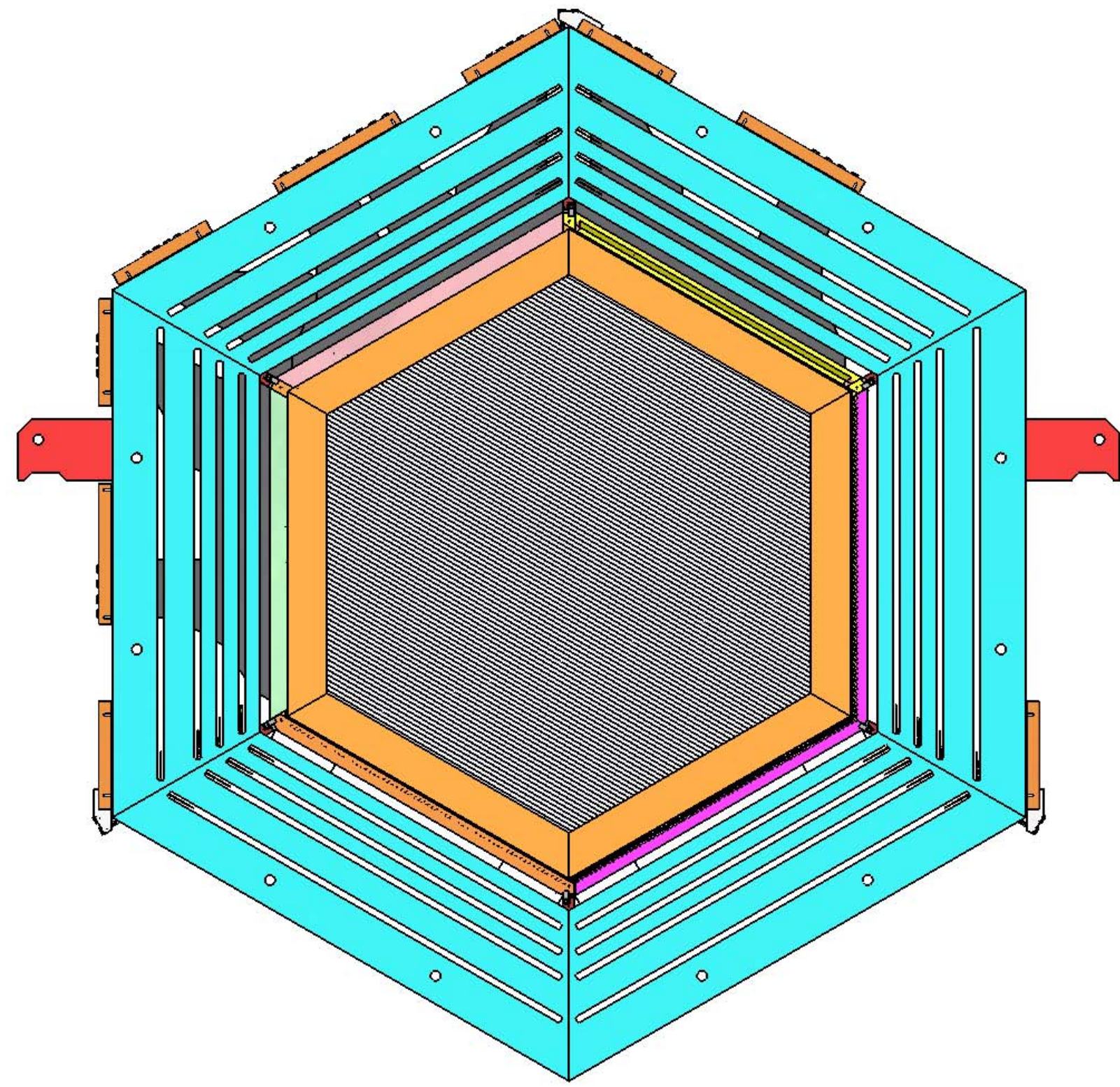
4

3

2

1

REVISIONS				
ZONE	REV	DESCRIPTION	DATE	APPRV
-	-	INITIAL ISSUE	-	-



B

B

A

A

NOTE: DO NOT SCALE DRAWING!
ALL TOLERANCES UNLESS OTHERWISE SPECIFIED ARE

DIMENSIONS ARE IN:
 □ INCHES [mm] □ mm [IN]

xxx [x] ± .010 [.3]
 xxx [xxx] ± .005 [.13]
 xxxxx [xxxx] ± .0005 [.013]
 xx/xx ± 1/32
 x' ± 1"

UNIVERSITY OF ROCHESTER
 DEPT. OF PHYSICS AND ASTRONOMY
 SIDNEY W. BARNES RESEARCH LABORATORY

TITLE: MODULE U-X ASS'Y

THIRD ANGLE PROJECTION

DRAWN	RSF	DATE	2/16/07
CHECKED	RSF	DATE	2/16/07
APPROVED	RSF	DATE	-

THIS IS THE PROPERTY OF THE UNIVERSITY OF ROCHESTER. ANY USE OR REPRODUCTION WITHOUT AUTHORIZATION BY THIS UNIVERSITY IS PROHIBITED.

SCALE: 1:10 SHEET: 1 OF 6

WEIGHT: 3081 LBS

FILE: 70005 MODULE AT-- U-X ASSY

4

3

2

1

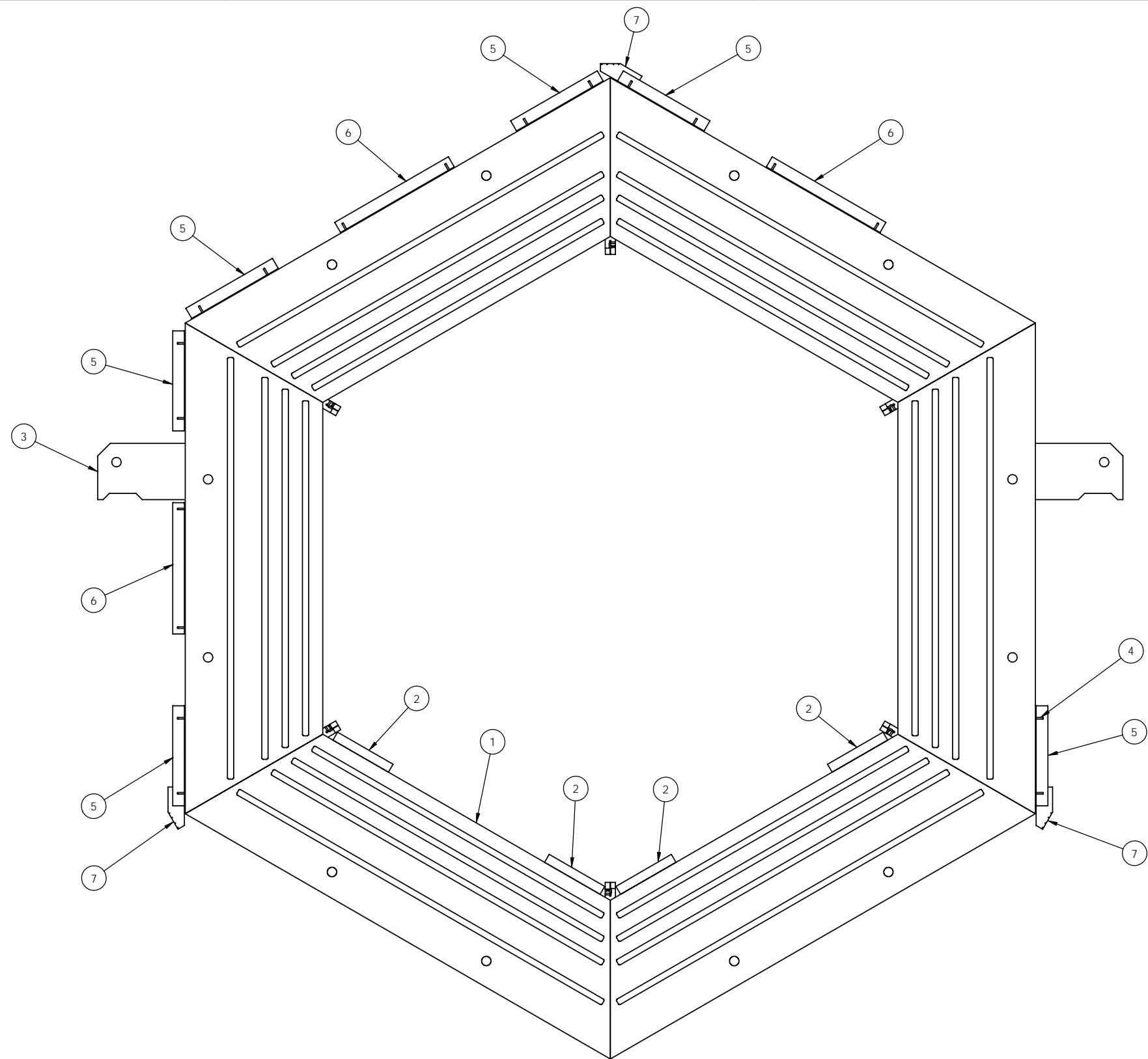
4

3

2

1

REVISIONS				
ZONE	REV	DESCRIPTION	DATE	APPRV
-	-	INITIAL ISSUE	-	-



U-X FRAME CONFIGURATION

FRONT (UPSTREAM SIDE)

Parts List					
ITEM NO.	QTY	DESCRIPTION	MATERIAL	SIZE	WEIGHT
1	6	FRAME SEGMENT NARROW	HRS	1.25 x 22.00 x 78.52	429.93
2	2	COIL SPACER	ABS, FLAME RETARDENT	1.25 x 4.10 x 53.12	0.67
3	2	FRAME HOOK, NARROW FRAME, 1ST POSITION	HRS	.75 x 9.00 x 32.00	24.72
4	26	WELD STUD	STEEL	1/4-20 x 1.25 LG	0.02
5	6	CONNECTOR BRACKET, SHORT	ALUM 'L'	1.00 x 2.00 x 0.125 x 16.00 LG	0.56
6	3	CONNECTOR BRACKET, LONG	ALUM 'L'	1.00 x 2.00 x 0.125 x 21.00 LG	0.56
7	3	CONNECTOR BRACKET, OD FIBERS	ALUM	.13 x 2.63 x 6.75	0.19
8	6	H-CLIP ASSY	SEE DWG #70006	-	0.78

NOTE: DO NOT SCALE DRAWING !
ALL TOLERANCES UNLESS OTHERWISE SPECIFIED ARE

DIMENSIONS ARE IN:
 □ INCHES [mm] □ mm [IN]

x.xxx [x.x] ± .010 [.3]
 x.xxxx [x.xxx] ± .005 [.13]
 x.xxxxx [x.xxxx] ± .0005 [.013]
 xx/xx ± 1/32
 x' ± 1"

UNIVERSITY OF ROCHESTER
DEPT. OF PHYSICS AND ASTRONOMY
SIDNEY W. BARNES RESEARCH LABORATORY

TITLE: **MODULE U-X ASS'Y**

THIRD ANGLE PROJECTION

DRAWN	RSF	DATE	2/16/07
CHECKED	RSF	DATE	2/16/07
APPROVED	RSF	DATE	-

THIS IS THE PROPERTY OF THE UNIVERSITY OF ROCHESTER. ANY USE OR REPRODUCTION WITHOUT AUTHORIZATION BY THIS UNIVERSITY IS PROHIBITED.	DWG NO 70005	REV -
SCALE 1:10	SHEET 2 OF 6	

WEIGHT: 2643.84 LBS FILE: 70005 MODULE AT-- U-X ASSY

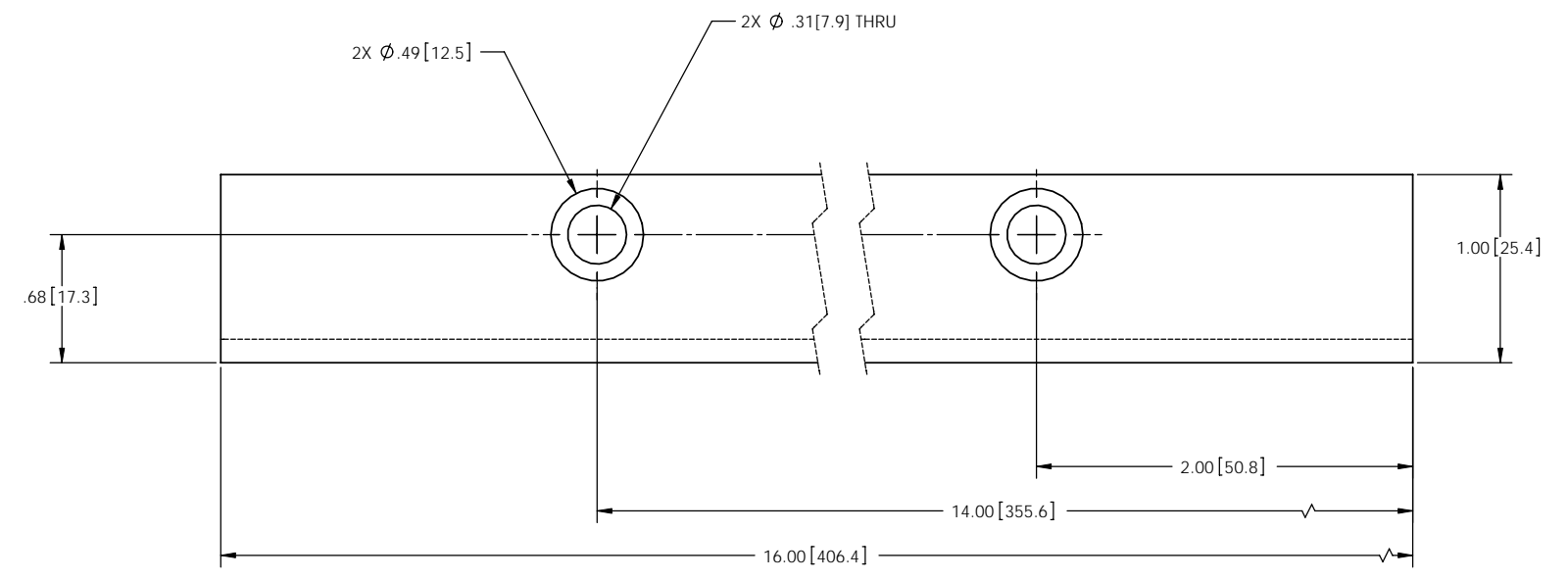
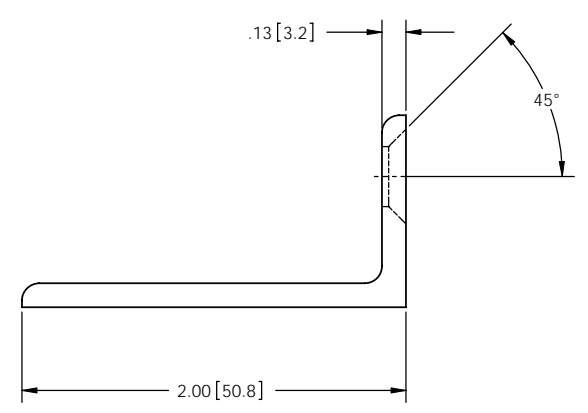
4

3

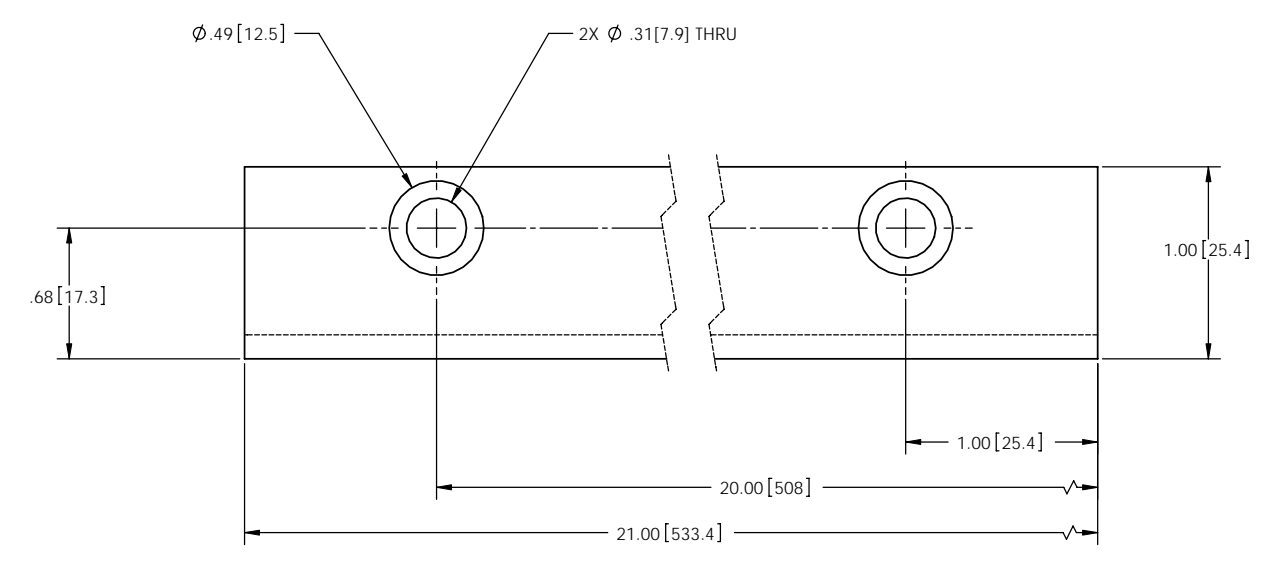
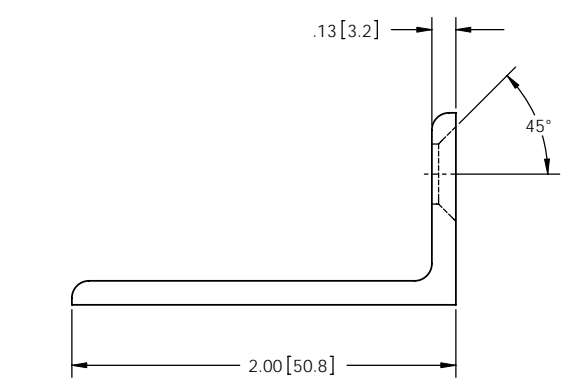
2

1

REVISIONS				
ZONE	REV	DESCRIPTION	DATE	APPRV
-	-	INITIAL ISSUE	-	-



5 NAME: CONNECTOR BRACKET, SHORT
 QTY: 6
 MAT'L: ALUM 'L'
 HARD'N: -
 FINISH: -
 SIZE/TYPE: 1.00 x 2.00 x 0.125 x 16.00 LG
 WEIGHT: 0.56



6 NAME: CONNECTOR BRACKET, LONG
 QTY: 3
 MAT'L: ALUM 'L'
 HARD'N: -
 FINISH: -
 SIZE/TYPE: 1.00 x 2.00 x 0.125 x 21.00 LG
 WEIGHT: 0.56

NOTE: DO NOT SCALE DRAWING !
 ALL TOLERANCES UNLESS OTHERWISE SPECIFIED ARE

DIMENSIONS ARE IN:
 INCHES [mm] mm [IN]

x.xxx [x.x] ± .010 [.3]
 x.xxxx [x.xxx] ± .005 [.13]
 x.xxxxx [x.xxxx] ± .0005 [.013]
 xx/xx ± 1/32
 x' ± 1"

UNIVERSITY OF ROCHESTER
 DEPT. OF PHYSICS AND ASTRONOMY
 SIDNEY W. BARNES RESEARCH LABORATORY

TITLE: MODULE U-X ASS'Y

THIRD ANGLE PROJECTION

DRAWN	RSF	DATE	2/16/07
CHECKED	RSF	DATE	2/16/07
APPROVED	RSF	DATE	-

THIS IS THE PROPERTY OF THE UNIVERSITY OF ROCHESTER. ANY USE OR REPRODUCTION WITHOUT AUTHORIZATION BY THIS UNIVERSITY IS PROHIBITED.

SCALE: 2:1 SHEET: 4 OF 6

WEIGHT: 0.56 LBS

FILE: 70005 MODULE AT-- U-X ASSY

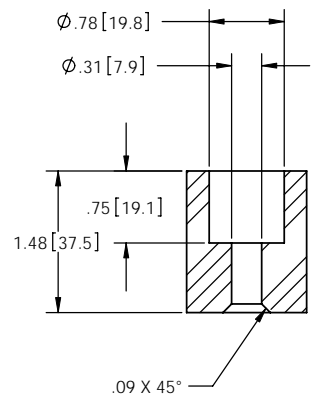
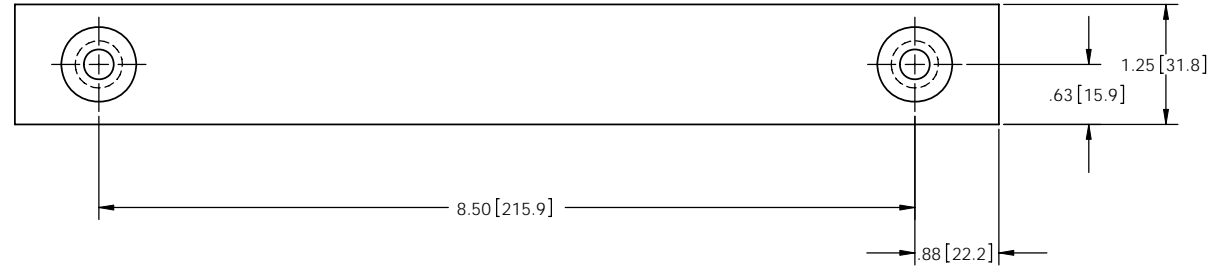
4

3

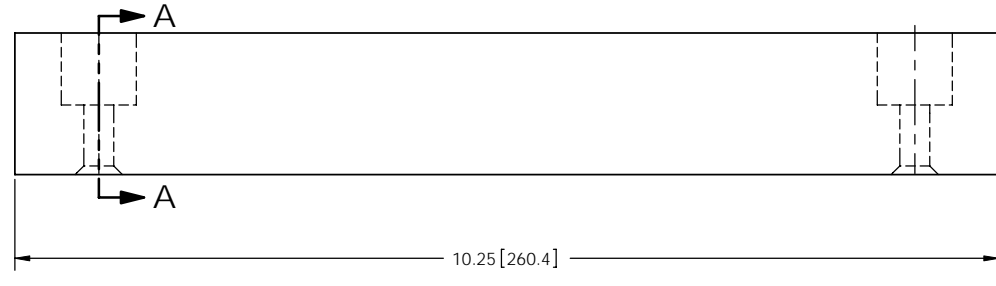
2

1

REVISIONS				
ZONE	REV	DESCRIPTION	DATE	APPRV
-	-	INITIAL ISSUE	-	-



SECTION A-A



2 NAME: SCINT SPACER LOWER
 QTY: 4
 MAT'L: Nylon 6/10
 HARD'N: -
 FINISH: -
 SIZE/TYPE: 1.25 x 1.48 x 11.25
 WEIGHT: 0.67

NOTE: DO NOT SCALE DRAWING !
 ALL TOLERANCES UNLESS OTHERWISE SPECIFIED ARE

DIMENSIONS ARE IN:
 □ INCHES [mm] □ mm [IN]

x.xx [x.x] ± .010 [.3]
 x.xxx [x.xxx] ± .005 [.13]
 x.xxxx [x.xxxx] ± .0005 [.013]
 xx/xx ± 1/32
 x' ± 1"

UNIVERSITY OF ROCHESTER
 DEPT. OF PHYSICS AND ASTRONOMY
 SIDNEY W. BARNES RESEARCH LABORATORY

MODULE U-X ASS'Y

THIRD ANGLE PROJECTION

DRAWN	RSF	DATE	2/16/07
CHECKED	RSF	DATE	2/16/07
APPROVED	RSF	DATE	-

THIS IS THE PROPERTY OF THE UNIVERSITY OF ROCHESTER. ANY USE OR REPRODUCTION WITHOUT AUTHORIZATION BY THIS UNIVERSITY IS PROHIBITED.

DWG NO: 70005
 SCALE: 1:10 SHEET 5 OF 6

WEIGHT: 0.67 LBS
 FILE: 70005 MODULE AT-- U-X ASSY

4

3

2

1

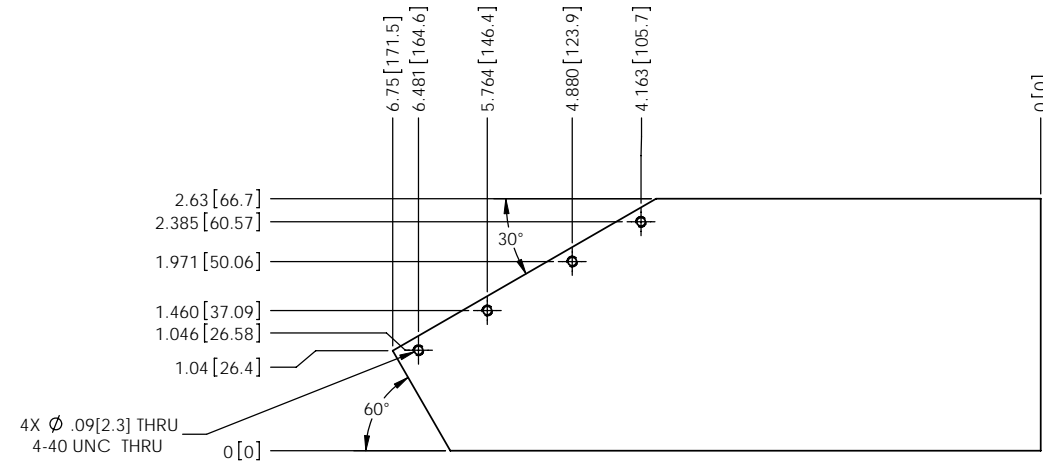
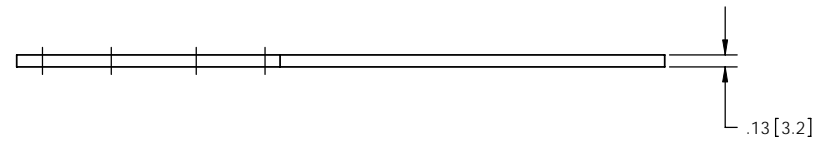
4

3

2

1

REVISIONS				
ZONE	REV	DESCRIPTION	DATE	APPRV
-	-	INITIAL ISSUE	-	-



7 NAME: CONNECTOR, OD, BACK STRIP
 QTY: 3
 MAT'L: ALUM
 HARD'N: -
 FINISH: -
 SIZE/TYPER: .13 x 2.63 x 6.75
 WEIGHT: 0.19

NOTE: DO NOT SCALE DRAWING !
 ALL TOLERANCES UNLESS OTHERWISE SPECIFIED ARE

DIMENSIONS ARE IN:
 □ INCHES [mm] □ mm [IN]

x.xx [x.x] ± .010 [.3]
 x.xxx [x.xxx] ± .005 [.13]
 x.xxxx [x.xxxx] ± .0005 [.013]
 xx/xx ± 1/32
 x' ± 1"

UNIVERSITY OF ROCHESTER
 DEPT. OF PHYSICS AND ASTRONOMY
 SIDNEY W. BARNES RESEARCH LABORATORY

MODULE U-X ASSY

THIRD ANGLE PROJECTION

DRAWN	RSF	DATE	2/16/07
CHECKED	RSF	DATE	2/16/07
APPROVED	RSF	DATE	-

THIS IS THE PROPERTY OF THE UNIVERSITY OF ROCHESTER. ANY USE OR REPRODUCTION WITHOUT AUTHORIZATION BY THIS UNIVERSITY IS PROHIBITED.

SCALE 1:1 SHEET 6 OF 6

WEIGHT: 0.19 LBS

FILE: 70005 MODULE AT-- U-X ASSY

4

3

2

1