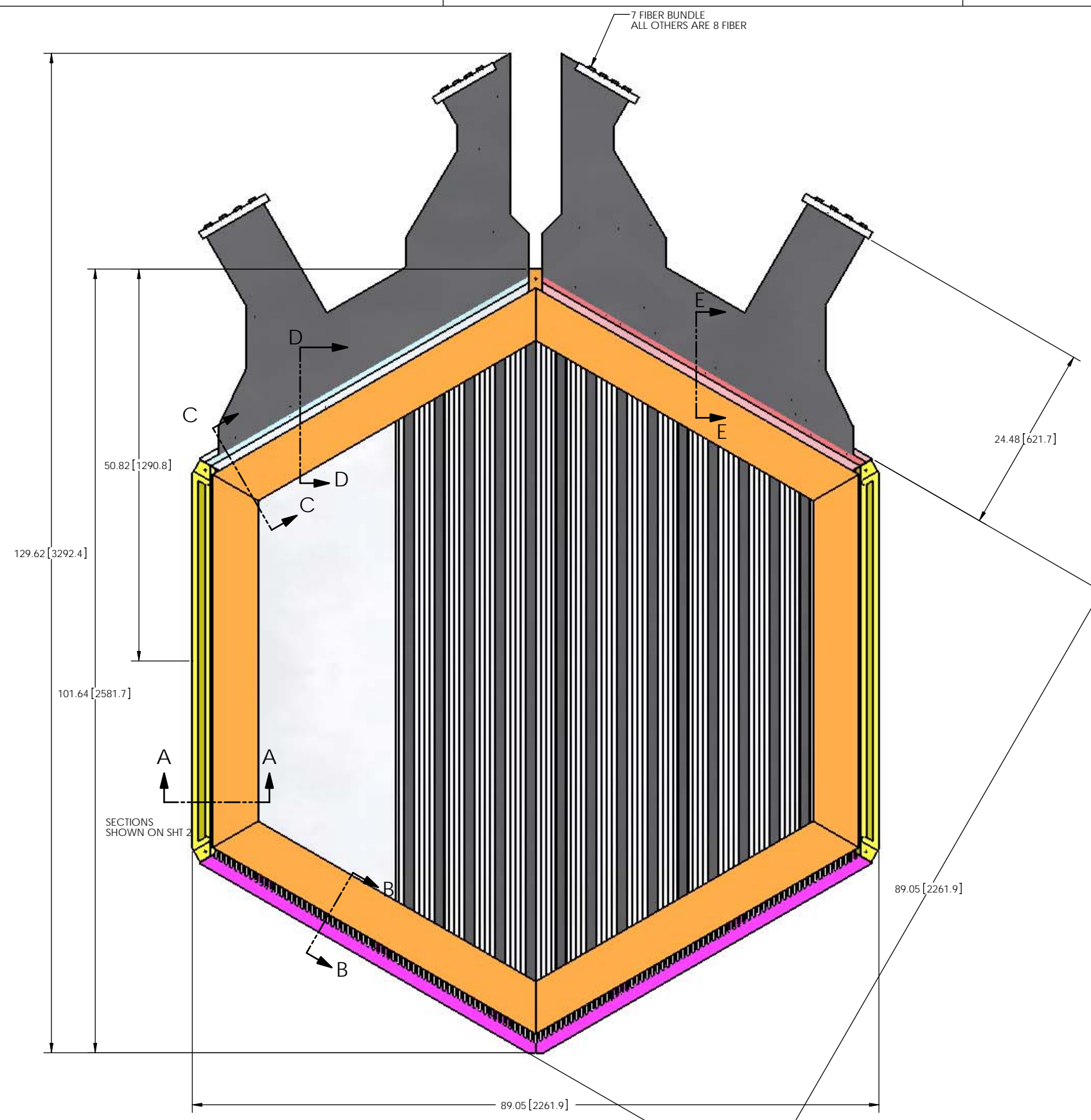


4

3

2

1



FRONT (UPSTREAM SIDE)



X PLANE & PERIMETER BLOCKS W/ WEAVE & SKINS

Parts List					
ITEM NO.	QTY.	DESCRIPTION	MATERIAL	SIZE	WEIGHT
1	127	SCINTILLATOR EXTRUSION	DOW PS663	SIZE TO PANEL DIMS	1.520
2	6	Pb SEGMENT NARROW EDGE	PURE LEAD	.078 x 5.91 x 48.38	8.23
3	1	FIBER 127 LH	WLS OPTICAL FIBER	-	0.135
4	1	FIBER, 127 RH	WLS OPTICAL FIBER	-	0.135
5	2	EDGE SPACER, BOTTOM	TOTAL PLASTICS, PVC RIGID FOAM	.71 [18mm] x 2.63 x 50.11	2.657
6	2	EDGE SPACER, VERTICAL	TOTAL PLASTICS, PVC RIGID FOAM	.71 [18mm] x 4.28 x 52.13	2.551
7	16	CONNECTOR BOX	DDK	.200 x .793 x 1.067	0.004
8	16	LATCH CONNECTOR	DDK	.20 x .65 x 1.10	0.002
9	16	FIBER FERRULE	DDK	.150 x .661 x .667	0.002
10	1	COMB, CENTER	TOTAL PLASTICS, PVC RIGID FOAM	.71 [18mm] x 5.44 x 10.25	0.642
11	1	COMB RH, X PLANE	PVC, RIGID FOAM	.71 [18mm] x 2.63 x 49.39	3.081
12	1	COMB LH, X PLANE	PVC, RIGID FOAM	.71 [18mm] x 2.63 x 49.39	3.076
13	2	CONNECTOR BACK STRIP-01	ALUM	.13 x 1.00 x 10.00	0.230
14	2	CONNECTOR BACK STRIP-02	ALUM	.13 x 1.00 x 9.00	0.230
15	1	WEAVE	PIEDMOND PLASTICS	#FR25A	3.197
16	1	3M EPOXY	3M EPOXY	#2216A/B	0.001
17	2	SKIN01	PIEDMOND PLASTICS	#FR25A	1.119
18	1	EPOXY-OPTICAL	MILLER STEVENSON CHEMICAL	#EPON815C & EPICURE3243	0.000
19	4	BAGGIE	AMERICOVER	TS10FR, DARK BLUE, 0.012" THK	0.465

NOTE: DO NOT SCALE DRAWING!
ALL TOLERANCES UNLESS OTHERWISE SPECIFIED ARE

DIMENSIONS ARE IN:
 □ INCHES [mm] □ mm [IN]
 x.xx [x.x] ± .010 [.3]
 x.xxx [x.xxx] ± .005 [.13]
 x.xxxx [x.xxxx] ± .0005 [.013]
 xx/xx ± 1/32
 x' ± 1"

UNIVERSITY OF ROCHESTER
DEPT. OF PHYSICS AND ASTRONOMY
SIDNEY W. BARNES RESEARCH LABORATORY

TITLE: X PLANE ASS'Y

THIRD ANGLE PROJECTION

DRAWN	RSF	DATE	2/15/07
CHECKED	RSF	DATE	2/15/07
APPROVED	RSF	DATE	2/15/07

THIS IS THE PROPERTY OF THE UNIVERSITY OF ROCHESTER. ANY USE OR REPRODUCTION WITHOUT AUTHORIZATION BY THIS UNIVERSITY IS PROHIBITED.

SCALE: 1:8 SHEET: 1 OF 13

WEIGHT: 216 LBS FILE: 70007 X PLANE MODULE ASSY 127

4

3

2

1

4

3

2

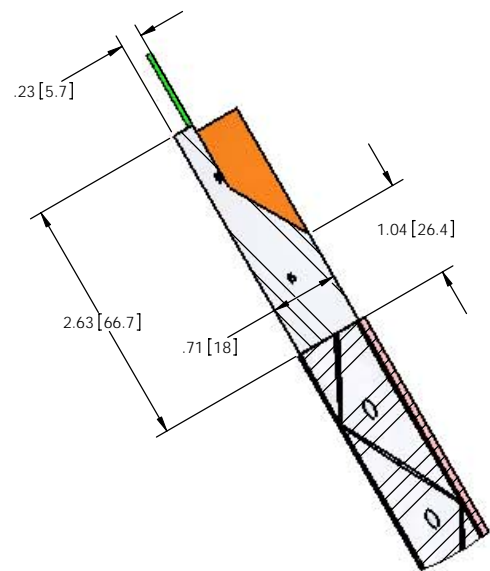
1

B

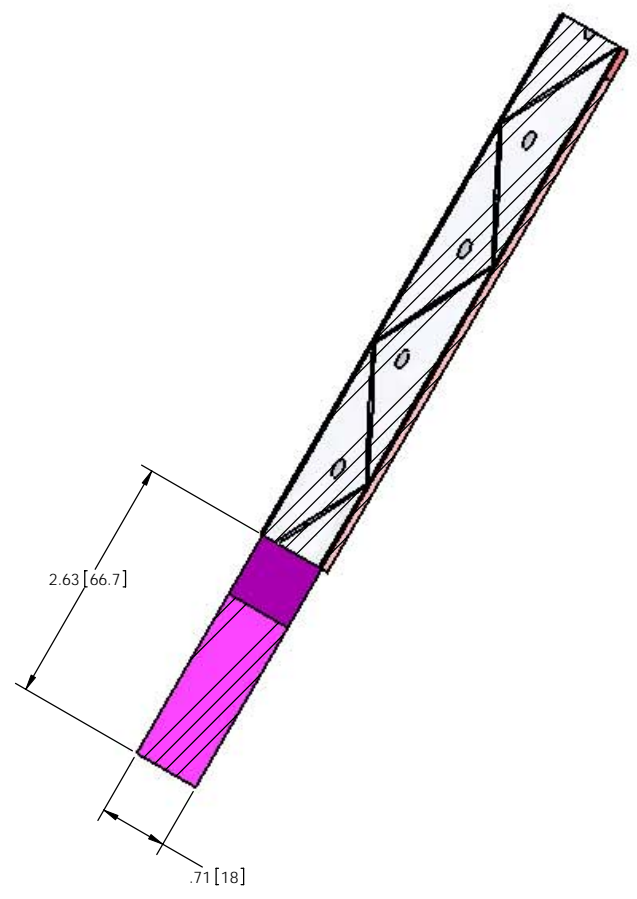
B

A

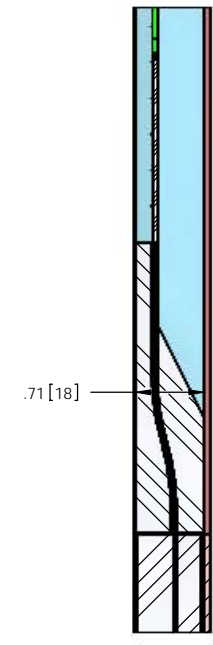
A



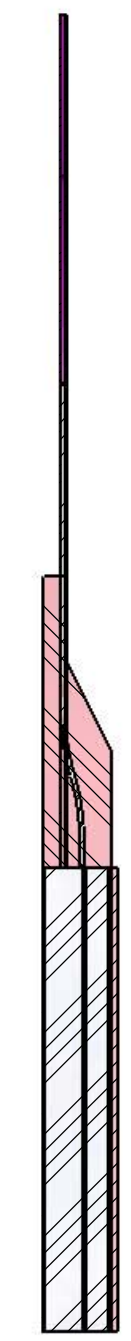
SECTION C-C



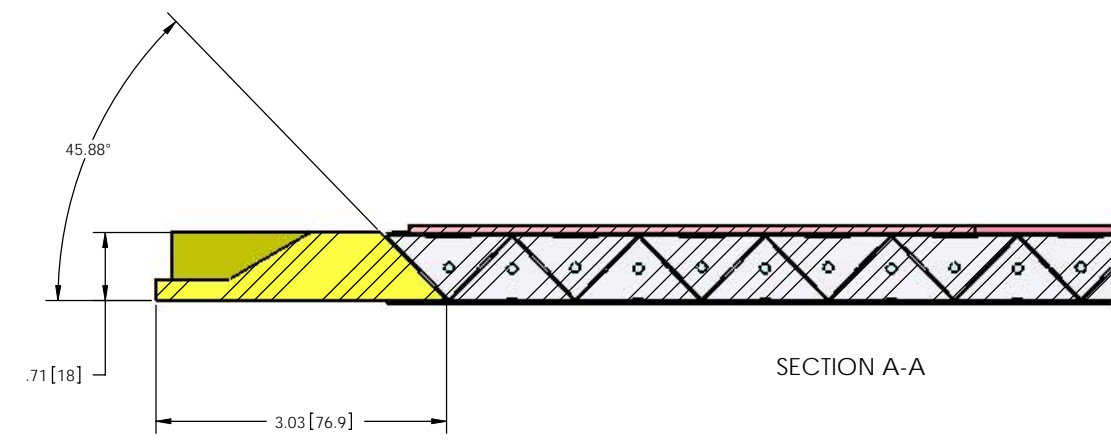
SECTION B-B



SECTION D-D



SECTION E-E



SECTION A-A

NOTE: DO NOT SCALE DRAWING!
ALL TOLERANCES UNLESS OTHERWISE SPECIFIED ARE

DIMENSIONS ARE IN:
 □ INCHES [mm] □ mm [IN]

x.xxx [x.x] ± .010 [.3]
 x.xxxx [x.xxx] ± .005 [.13]
 x.xxxxx [x.xxxx] ± .0005 [.013]
 xx/xx ± 1/32
 x' ± 1"

UNIVERSITY OF ROCHESTER DEPT. OF PHYSICS AND ASTRONOMY SIDNEY W. BARNES RESEARCH LABORATORY			
TITLE X PLANE ASS'Y			
THIRD ANGLE PROJECTION 	DRAWN RSF	DATE 2/15/07	REV —
	CHECKED RSF	DATE 2/15/07	
	APPROVED RSF	DATE 2/15/07	
DWG NO 70007			
SCALE 1:1	SHEET 2	OF 13	

THIS IS THE PROPERTY OF THE UNIVERSITY OF ROCHESTER. ANY USE OR REPRODUCTION WITHOUT AUTHORIZATION BY THIS UNIVERSITY IS PROHIBITED.

WEIGHT: 216 LBS

FILE: 70007 X PLANE MODULE ASSY 127

4

3

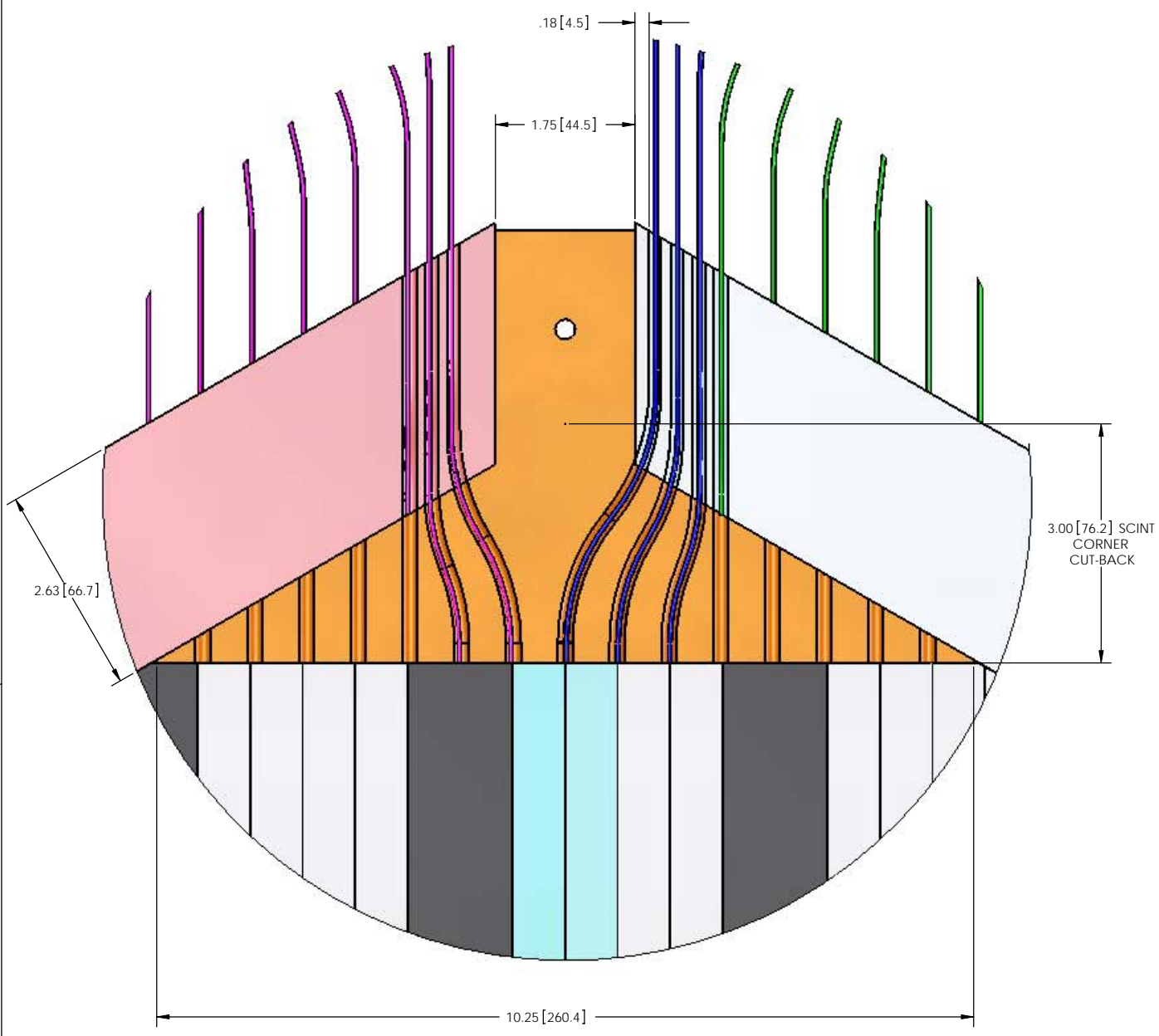
2

4

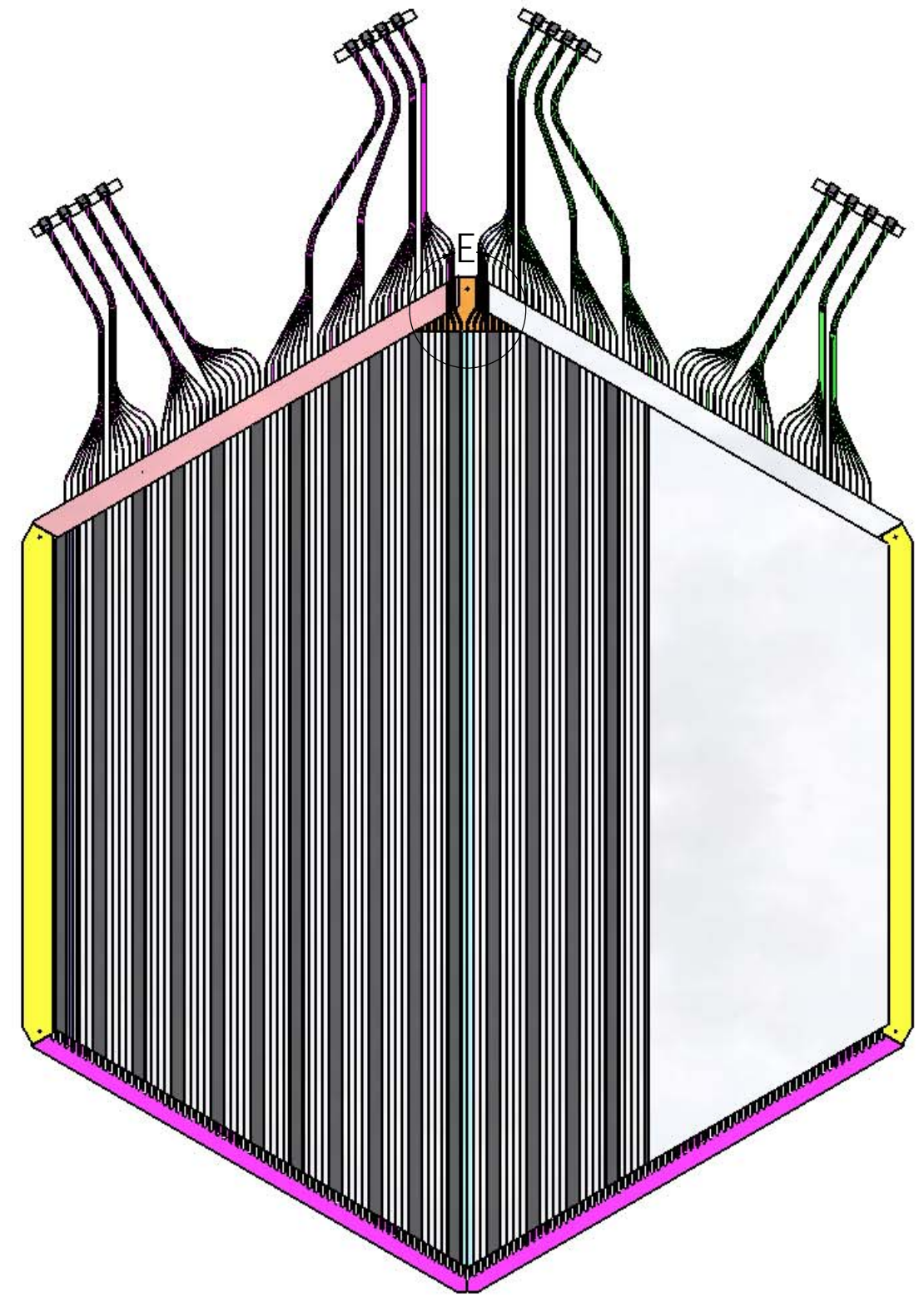
3

2

1



DETAIL E
SCALE 1 : 1



BACK (DOWNSTREAM SIDE)
BAGGIES REMOVED FOR CLARITY

NOTE: DO NOT SCALE DRAWING !
ALL TOLERANCES UNLESS OTHERWISE SPECIFIED ARE

DIMENSIONS ARE IN:
 □ INCHES [mm] □ mm [IN]
 x.xx [x.x] ± .010 [.3]
 x.xxx [x.xxx] ± .005 [.13]
 x.xxxx [x.xxxx] ± .0005 [.013]
 x/xx ± 1/32
 x' ± 1"

UNIVERSITY OF ROCHESTER
 DEPT. OF PHYSICS AND ASTRONOMY
 SIDNEY W. BARNES RESEARCH LABORATORY

TITLE: X PLANE ASS'Y

THIRD ANGLE PROJECTION

DRAWN	RSF	DATE	2/15/07
CHECKED	RSF	DATE	2/15/07
APPROVED	RSF	DATE	2/15/07

SCALE: 1:8 SHEET: 3 OF 13

WEIGHT: 216 LBS FILE: 70007 X PLANE MODULE ASSY 127

4

3

2

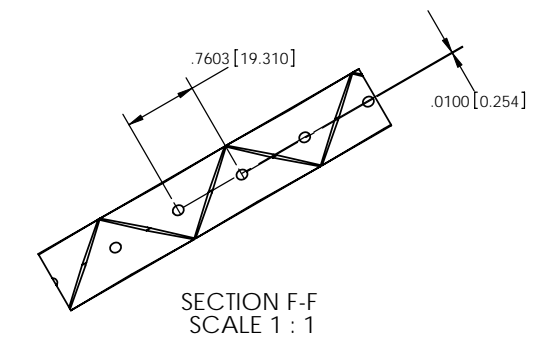
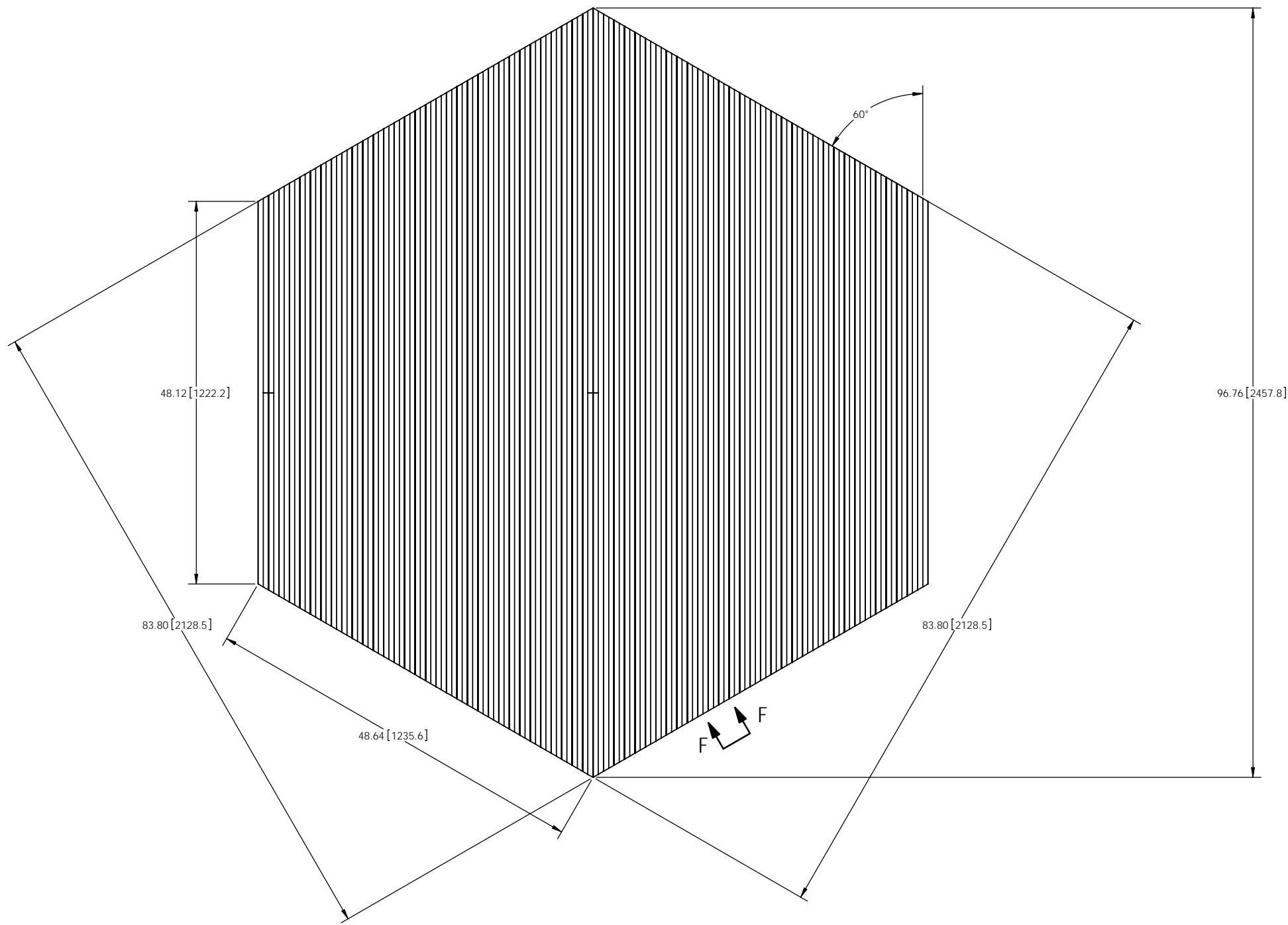
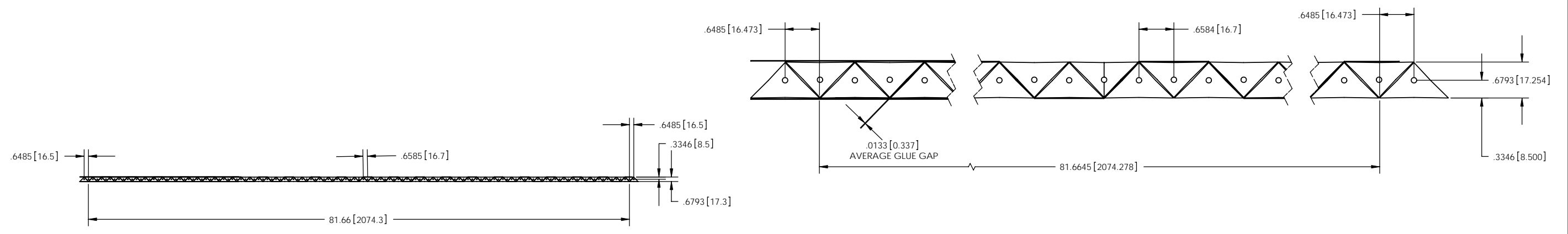
1

4

3

2

1



127 SCINTILLATOR PLANE,
WITHOUT APEX CUT BACK
DIMENSIONS ARE WITHOUT
LEXAN WEAVE ALLOWANCE

Parts List					
ITEM NO.	QTY.	DESCRIPTION	MATERIAL	SIZE	WEIGHT
1	127	SCINTILLATOR EXTRUSION	DOW PS663	-	1.520
3	1	WEAVE	UNIVERSITY OF ROCHESTER PLASTICS	#FR25A	0.197
4	1	3M EPOXY	3M EPOXY	#2216A/B	0.001
5	2	SKIN01	UNIVERSITY OF ROCHESTER PLASTICS	#FR25A	1.119
6	1	EPOXY-OPTICAL	SIDNEY W. MILLER STEVENSON CHEMICAL	#EPON815C & EPICURE3243	0.000

THIRD ANGLE PROJECTION		DRAWN	RSF	DATE	2/15/07
		CHECKED	RSF	DATE	2/15/07
		APPROVED	RSF	DATE	2/15/07
D		DWG NO	70007	REV	-
SCALE		1:8	SHEET	4	OF 13
WEIGHT: 196 LBS		FILE: 70007 X PLANE MODULE ASSY 127			

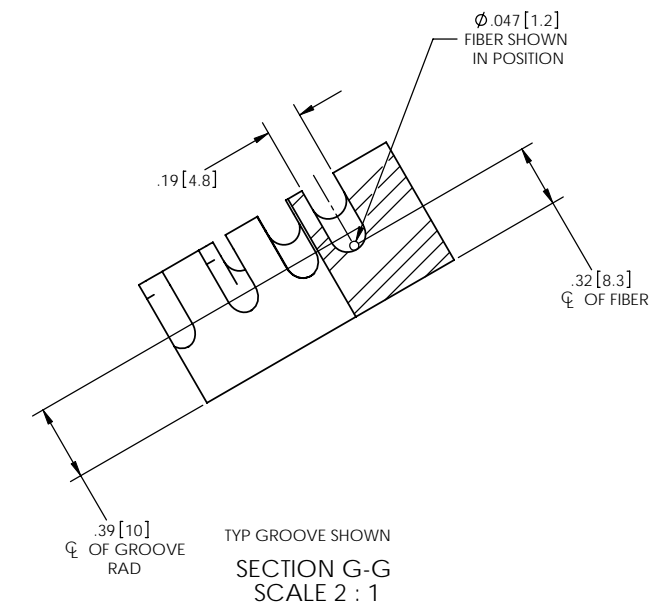
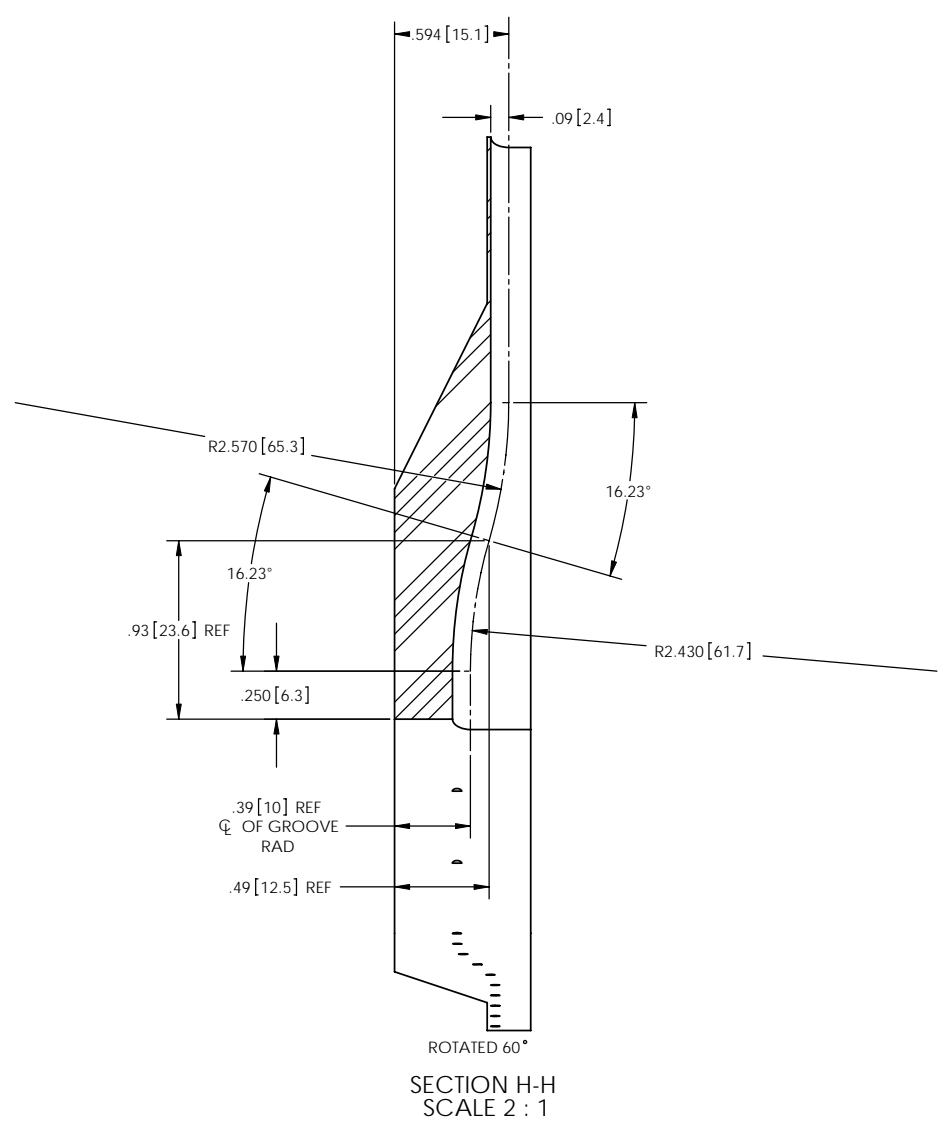
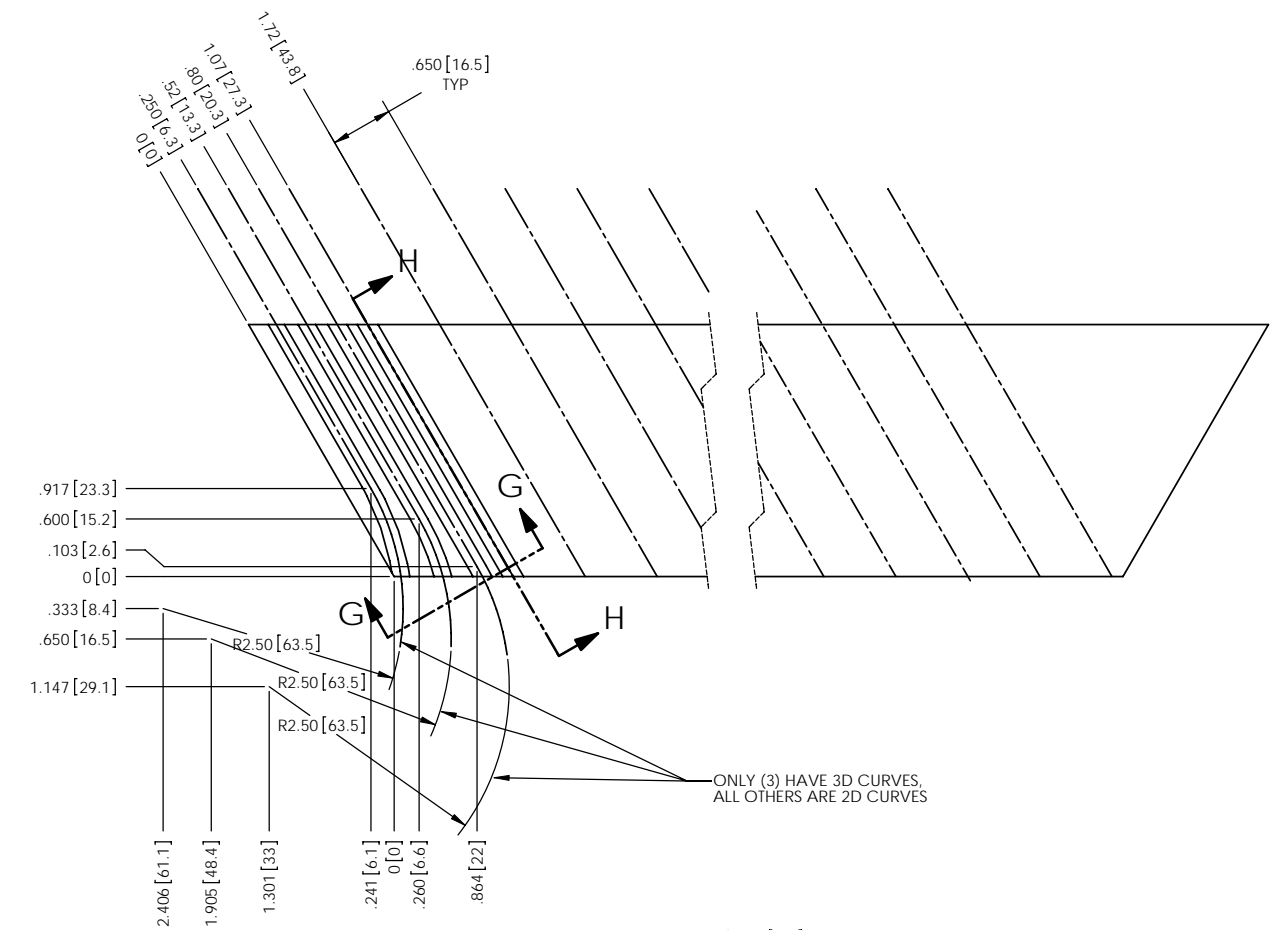
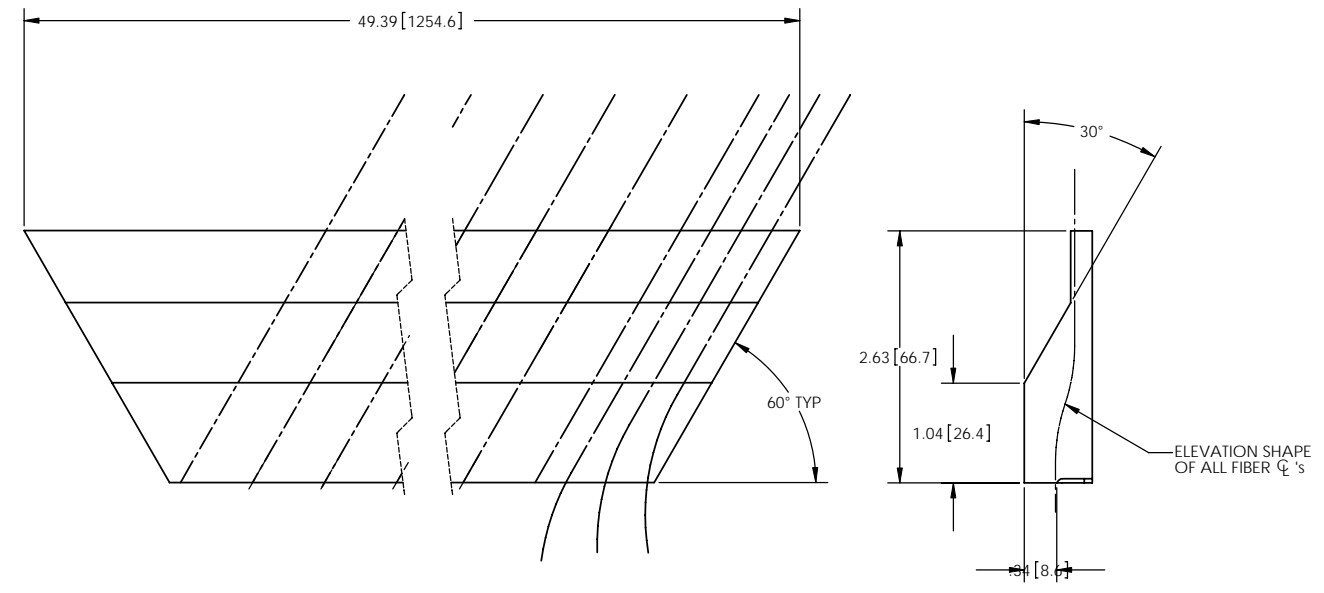
4

3

2

1

REVISIONS				
ZONE	REV	DESCRIPTION	DATE	APPRV
-	-	INITIAL ISSUE	-	-



UPPER COMB, LH
X PLANE

UPPER COMB, LH SHOWN,
RH IS OPPOSITE - SEE SHT 2

NOTE: DO NOT SCALE DRAWING !
ALL TOLERANCES UNLESS OTHERWISE SPECIFIED ARE

DIMENSIONS ARE IN:
 □ INCHES [mm] □ mm [IN]

x.xxx [x.x] ± .010 [.3]
 x.xxxx [x.xxx] ± .005 [.13]
 x.xxxxx [x.xxxx] ± .0005 [.013]
 xx/xx ± 1/32
 x' ± 1"

UNIVERSITY OF ROCHESTER
DEPT. OF PHYSICS AND ASTRONOMY
SIDNEY W. BARNES RESEARCH LABORATORY

TITLE: X PLANE ASS'Y

THIRD ANGLE PROJECTION

DRAWN	RSF	DATE	2/15/07
CHECKED	RSF	DATE	2/15/07
APPROVED	RSF	DATE	2/15/07

THIS IS THE PROPERTY OF THE UNIVERSITY OF ROCHESTER. ANY USE OR REPRODUCTION WITHOUT AUTHORIZATION BY THIS UNIVERSITY IS PROHIBITED.

DWG NO: 70007

SCALE: 1:1 SHEET: 5 OF 13

WEIGHT: 3.076 LBS FILE: 70007 X PLANE MODULE ASSY 127

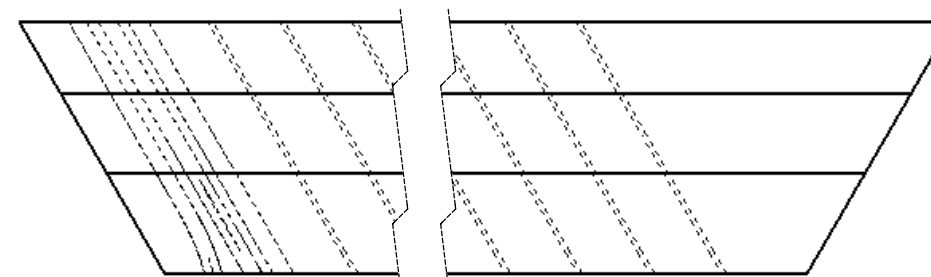
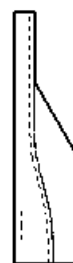
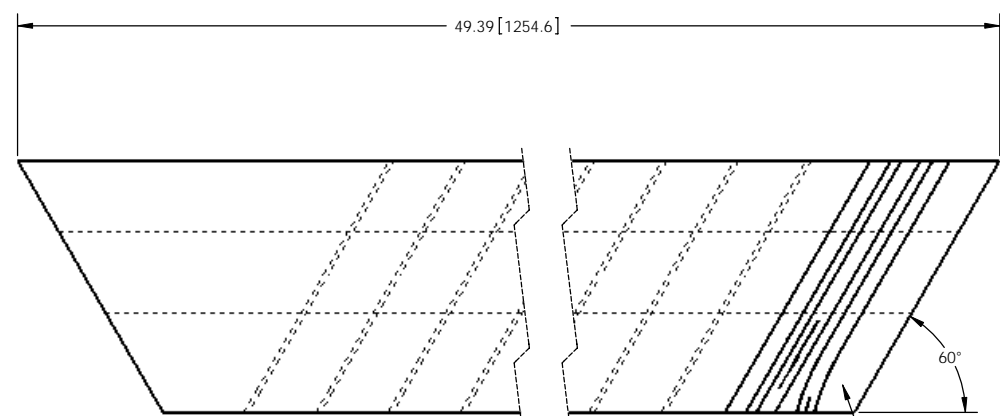
4

3

2

1

REVISIONS				
ZONE	REV	DESCRIPTION	DATE	APPRV
-	-	INITIAL ISSUE	-	-



ONLY GROOVES #2 & #3 ARE 3D.
GROOVE #1 IS NOT NEEDED &
NOT SHOWN

UPPER COMB, RH
OPPOSITE HAND OF
UPPER COMB, LH
SHOWN ON SHT 1

NOTE: DO NOT SCALE DRAWING !
ALL TOLERANCES UNLESS
OTHERWISE SPECIFIED ARE

DIMENSIONS ARE IN:
 INCHES [mm] mm [IN]
 x.xxx [x.x] ± .010 [.3]
 x.xxxx [x.xxx] ± .005 [.13]
 x.xxxxx [x.xxxx] ± .0005 [.013]
 xx/xx ± 1/32
 x' ± 1"

UNIVERSITY OF ROCHESTER
DEPT. OF PHYSICS AND ASTRONOMY
SIDNEY W. BARNES RESEARCH LABORATORY

TITLE X PLANE ASS'Y			
THIRD ANGLE PROJECTION	DRAWN	RSF	DATE 2/15/07
	CHECKED	RSF	DATE 2/15/07
	APPROVED	RSF	DATE 2/15/07

THIS IS THE PROPERTY OF THE UNIVERSITY OF
ROCHESTER. ANY USE OR REPRODUCTION WITHOUT
AUTHORIZATION BY THIS UNIVERSITY IS PROHIBITED.

SCALE	DWG NO	REV
1:1	70007	-
SHEET 6 OF 13		

WEIGHT: 3.081 LBS

FILE: 70007 X PLANE MODULE ASSY 127

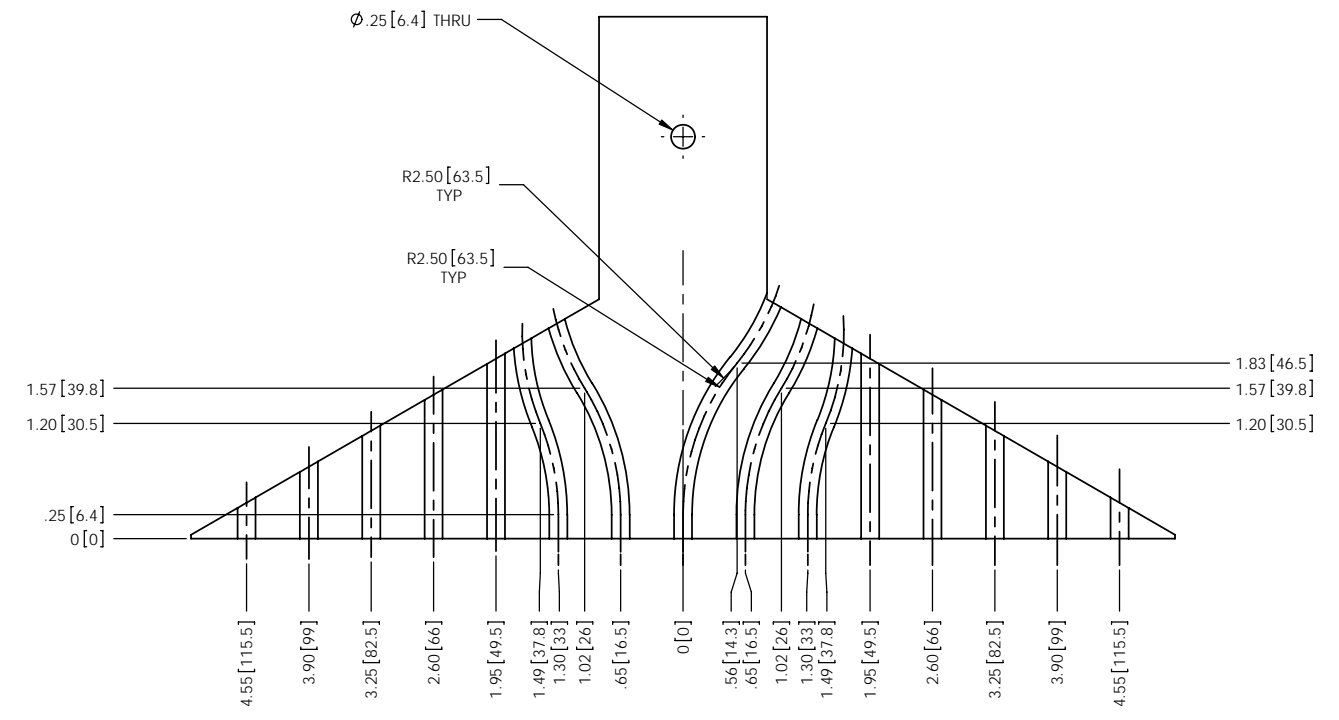
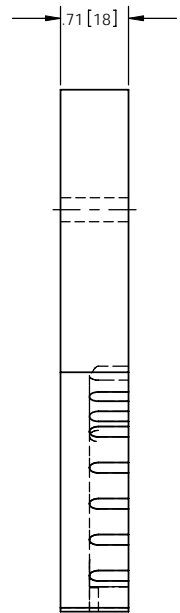
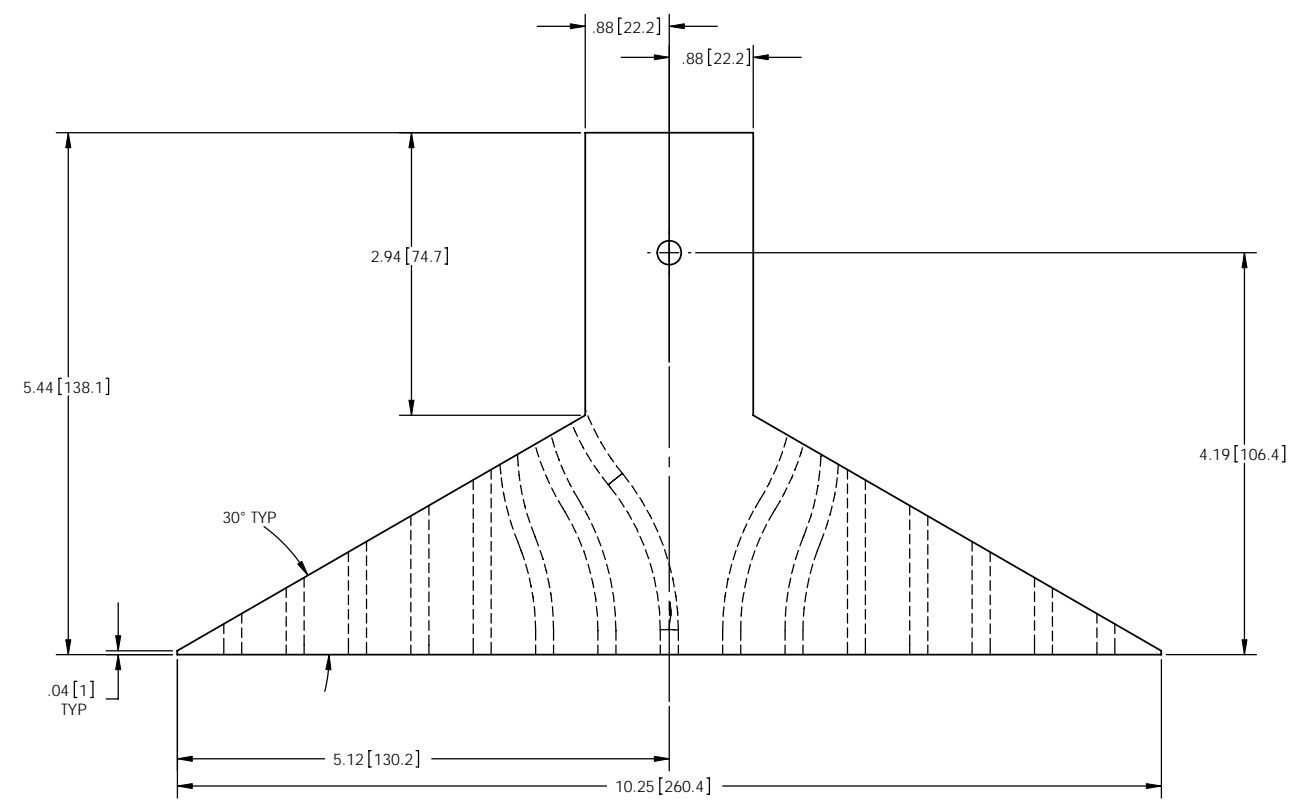
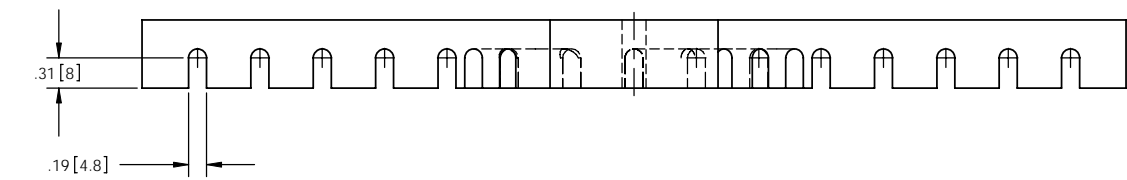
4

3

2

1

REVISIONS				
ZONE	REV	DESCRIPTION	DATE	APPRV
-	-	INITIAL ISSUE	-	-



CENTER COMB
ALL CURVED GROOVES
ARE PLANAR, 2D

NOTE: CENTER COMB IS THE SAME FOR
U, V, & X PLANES

NOTE: DO NOT SCALE DRAWING !
ALL TOLERANCES UNLESS
OTHERWISE SPECIFIED ARE

DIMENSIONS ARE IN:
 □ INCHES [mm] □ mm [IN]
 x.xx [x.x] ± .010 [.3]
 x.xxx [x.xxx] ± .005 [.13]
 x.xxxx [x.xxxx] ± .0005 [.013]
 xx/xx ± 1/32
 x' ± 1"

UNIVERSITY OF ROCHESTER
DEPT. OF PHYSICS AND ASTRONOMY
SIDNEY W. BARNES RESEARCH LABORATORY

TITLE: X PLANE ASS'Y

THIRD ANGLE PROJECTION

DRAWN	RSF	DATE	2/15/07
CHECKED	RSF	DATE	2/15/07
APPROVED	RSF	DATE	2/15/07

THIS IS THE PROPERTY OF THE UNIVERSITY OF ROCHESTER. ANY USE OR REPRODUCTION WITHOUT AUTHORIZATION BY THIS UNIVERSITY IS PROHIBITED.

DWG NO	70007	REV	-
SCALE	1:1	SHEET	7 OF 13

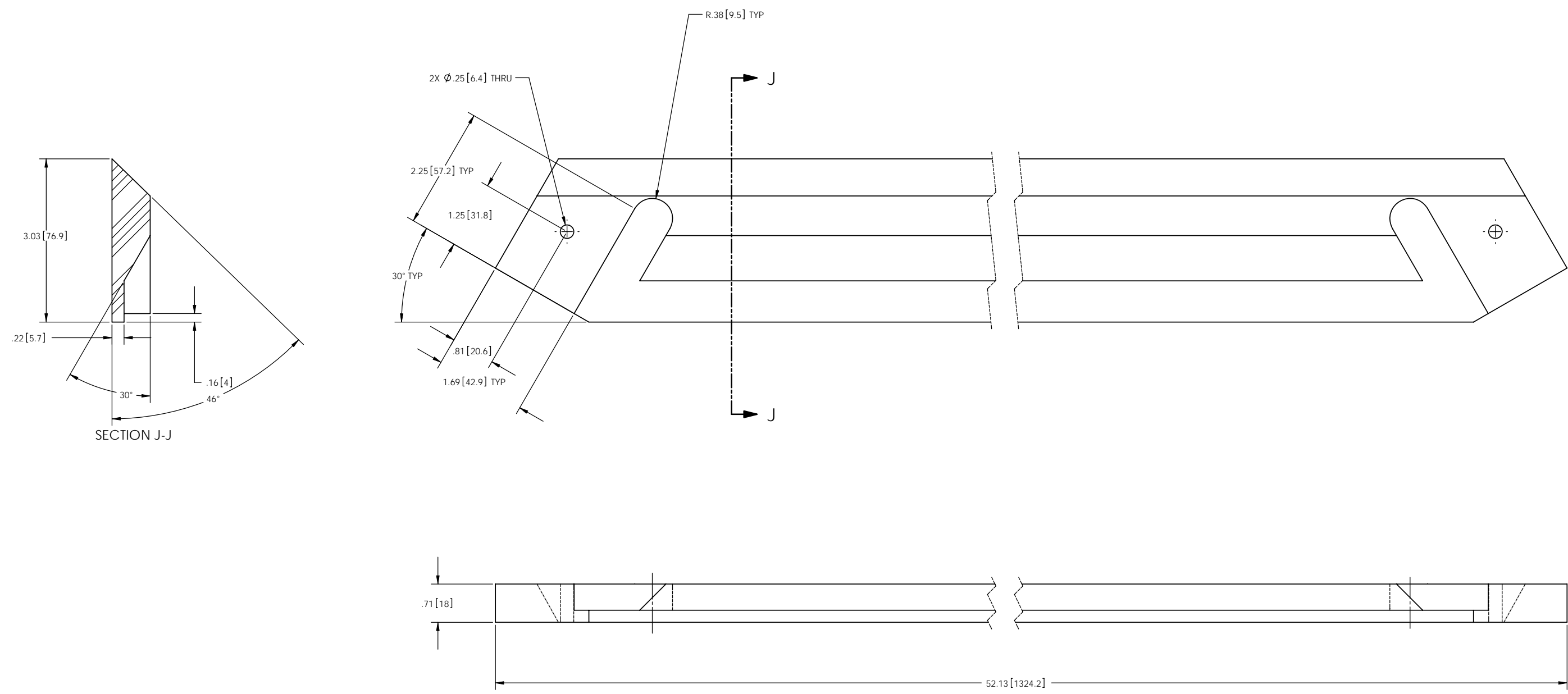
4

3

2

1

REVISIONS				
ZONE	REV	DESCRIPTION	DATE	APPRV
-	-	INITIAL ISSUE	-	-



SIDE SPACER BAR
QTY: 2 PER PLANE

NOTE: SIDE SPACER BARS ARE THE SAME FOR
 U, V, & X PLANES

NOTE: DO NOT SCALE DRAWING !
 ALL TOLERANCES UNLESS OTHERWISE SPECIFIED ARE

DIMENSIONS ARE IN:
 □ INCHES [mm] □ mm [IN]

x.xxx [x.x] ± .010 [.3]
 x.xxxx [x.xxx] ± .005 [.13]
 x.xxxxx [x.xxxx] ± .0005 [.013]
 xx/xx ± 1/32
 x' ± 1"

UNIVERSITY OF ROCHESTER
 DEPT. OF PHYSICS AND ASTRONOMY
 SIDNEY W. BARNES RESEARCH LABORATORY

TITLE: X PLANE ASS'Y

THIRD ANGLE PROJECTION

DRAWN	RSF	DATE	2/15/07
CHECKED	RSF	DATE	2/15/07
APPROVED	RSF	DATE	2/15/07

THIS IS THE PROPERTY OF THE UNIVERSITY OF ROCHESTER. ANY USE OR REPRODUCTION WITHOUT AUTHORIZATION BY THIS UNIVERSITY IS PROHIBITED.

SCALE: 1:1 SHEET: 8 OF 13

WEIGHT: 2.551 LBS

FILE: 70007 X PLANE MODULE ASSY 127

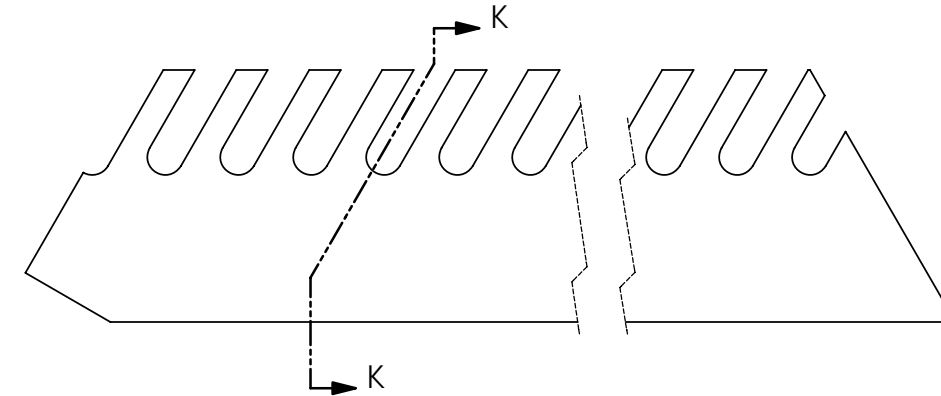
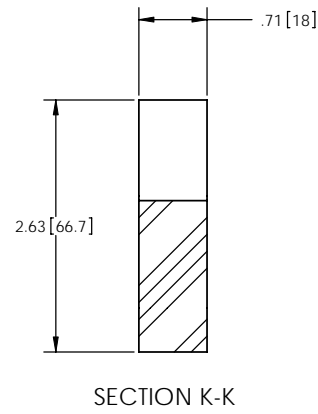
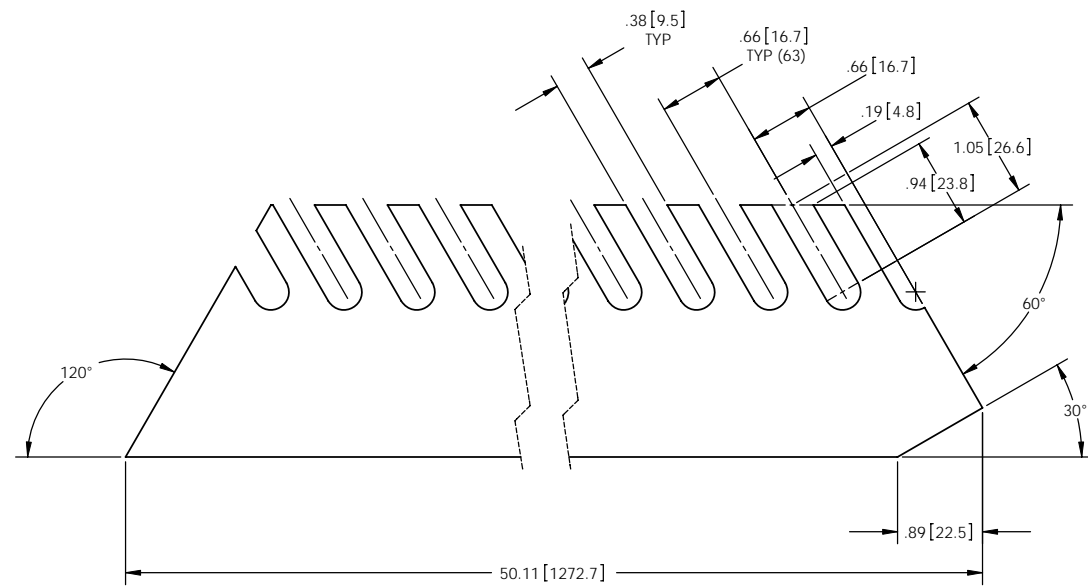
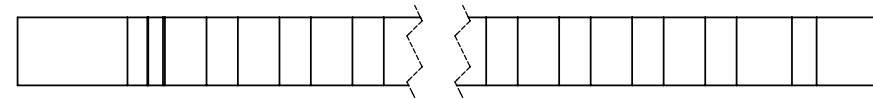
4

3

2

1

REVISIONS				
ZONE	REV	DESCRIPTION	DATE	APPRV
-	-	INITIAL ISSUE	-	-



**BOTTOM COMBS
QTY: 2 PER PLANE**

NOTE: BOTTOM COMBS ARE THE SAME FOR
U, V, & X PLANES

NOTE: DO NOT SCALE DRAWING !
ALL TOLERANCES UNLESS OTHERWISE SPECIFIED ARE

DIMENSIONS ARE IN:
 □ INCHES [mm] □ mm [IN]

x.xxx [x.x] ± .010 [.3]
 x.xxxx [x.xxx] ± .005 [.13]
 x.xxxxx [x.xxxx] ± .0005 [.013]
 xx/xx ± 1/32
 x' ± 1"

UNIVERSITY OF ROCHESTER
 DEPT. OF PHYSICS AND ASTRONOMY
 SIDNEY W. BARNES RESEARCH LABORATORY

TITLE: **X PLANE ASS'Y**

THIRD ANGLE PROJECTION	DRAWN: RSF	DATE: 2/15/07
	CHECKED: RSF	DATE: 2/15/07
	APPROVED: RSF	DATE: 2/15/07

THIS IS THE PROPERTY OF THE UNIVERSITY OF ROCHESTER. ANY USE OR REPRODUCTION WITHOUT AUTHORIZATION BY THIS UNIVERSITY IS PROHIBITED.

SCALE: 1:1	SHEET: 9 OF 13	REV: —
------------	----------------	--------

WEIGHT: 2.657 LBS FILE: 70007 X PLANE MODULE ASSY 127

4

3

2

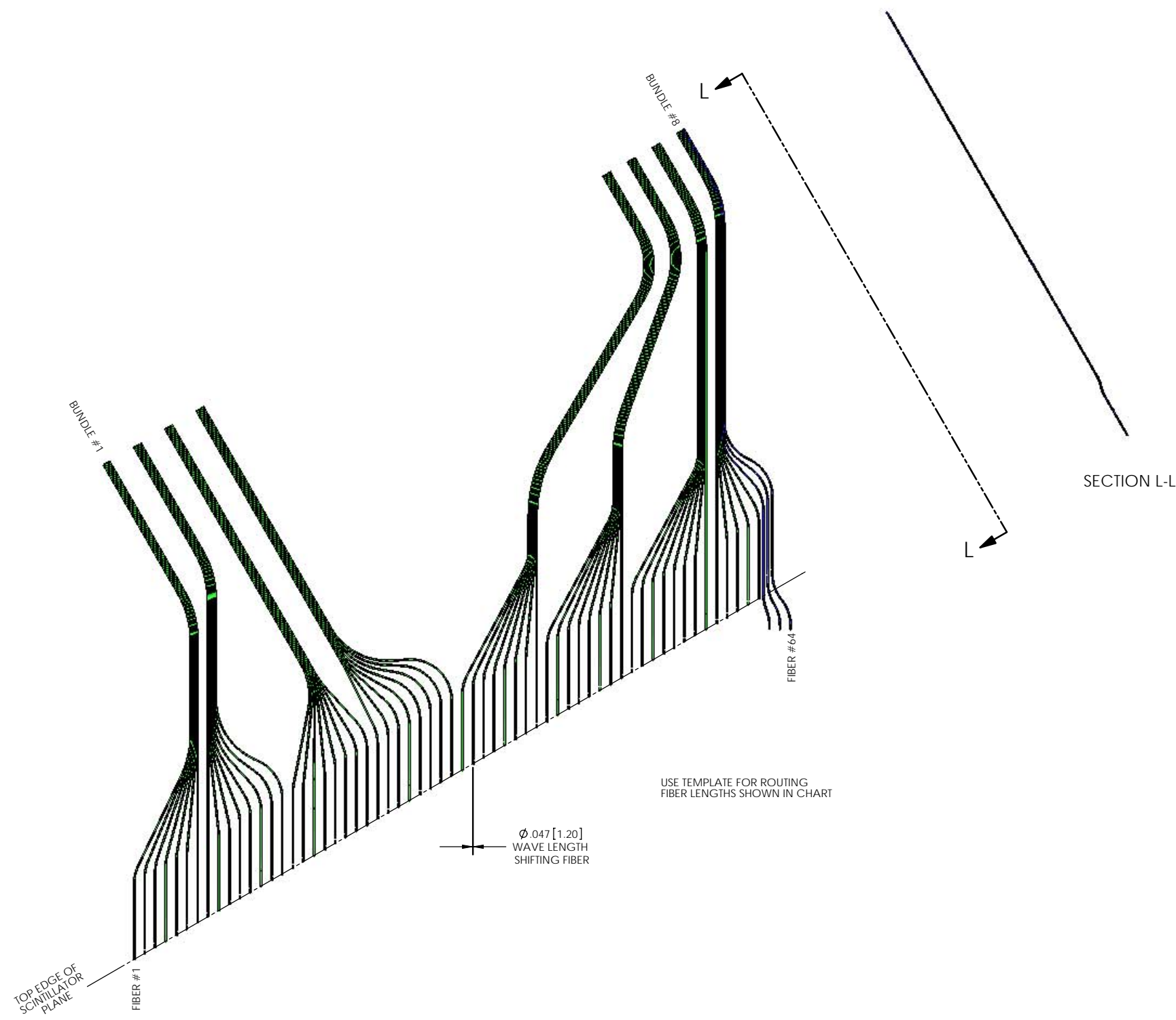
1

B

B

A

A



NOTE: DO NOT SCALE DRAWING !
ALL TOLERANCES UNLESS OTHERWISE SPECIFIED ARE

DIMENSIONS ARE IN:
 □ INCHES [mm] □ mm [IN]
 x.xx [x,x] ± .010 [.3]
 x.xxx [x,xx] ± .005 [.13]
 x.xxxx [x,xxx] ± .0005 [.013]
 xx/xx ± 1/32
 x' ± 1"

UNIVERSITY OF ROCHESTER
 DEPT. OF PHYSICS AND ASTRONOMY
 SIDNEY W. BARNES RESEARCH LABORATORY

TITLE: X PLANE ASS'Y

THIRD ANGLE PROJECTION	DRAWN: RSF	DATE: 2/15/07
	CHECKED: RSF	DATE: 2/15/07
	APPROVED: RSF	DATE: 2/15/07

THIS IS THE PROPERTY OF THE UNIVERSITY OF ROCHESTER. ANY USE OR REPRODUCTION WITHOUT AUTHORIZATION BY THIS UNIVERSITY IS PROHIBITED.

SCALE: 1:4	SHEET: 10 OF 13	REV: —
------------	-----------------	--------

WEIGHT: 0.135 LBS FILE: 70007 X PLANE MODULE ASSY 127

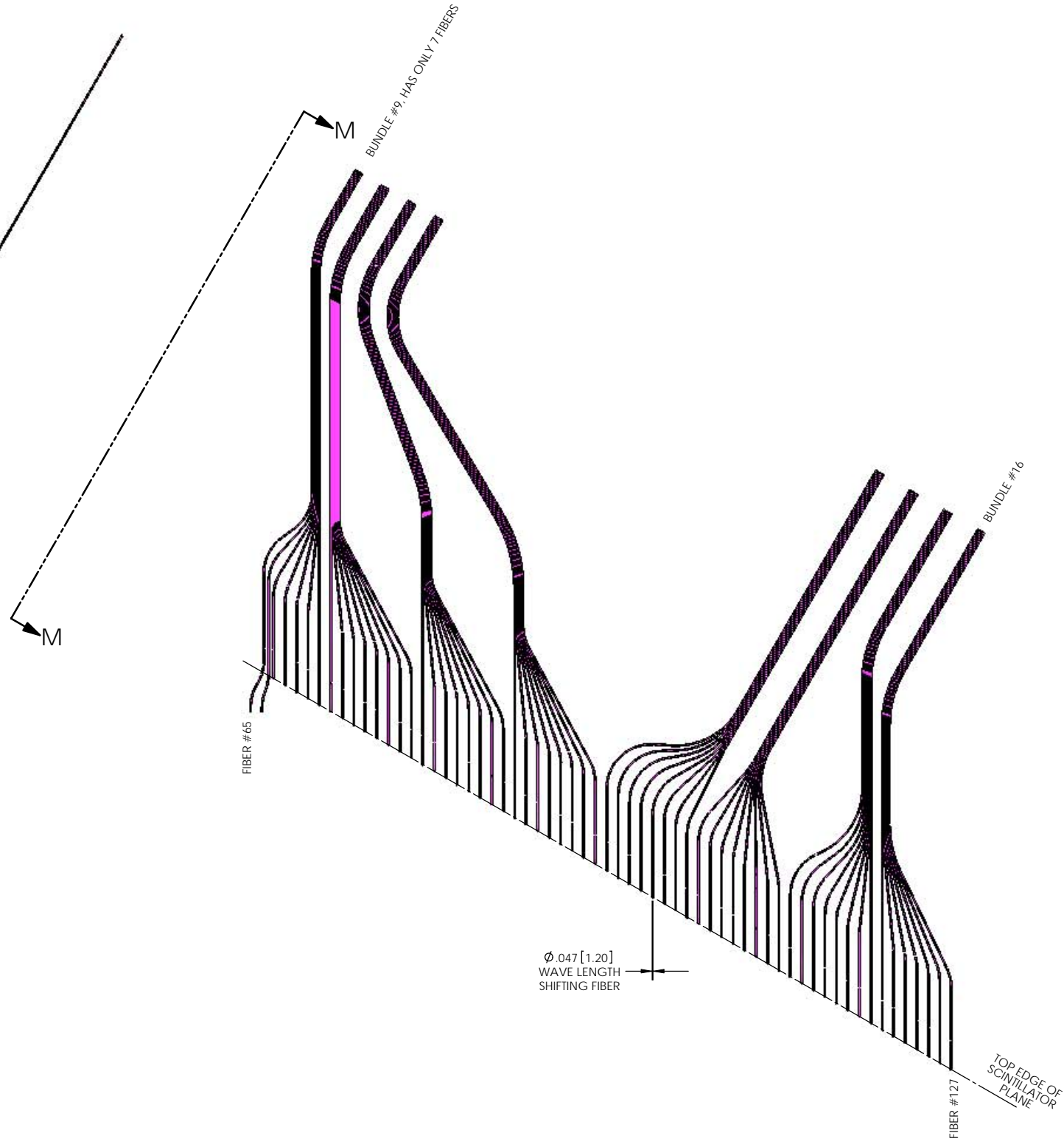
4

3

2

1

SECTION M-M



USE TEMPLATE FOR ROUTING FIBER LENGTHS SHOWN IN CHART

NOTE: DO NOT SCALE DRAWING !
ALL TOLERANCES UNLESS OTHERWISE SPECIFIED ARE

DIMENSIONS ARE IN:
 □ INCHES [mm] □ mm [IN]

x.xx [x,x] ± .010 [.3]
 x.xxx [x,xx] ± .005 [.13]
 x.xxxx [x,xxx] ± .0005 [.013]
 xx/xx ± 1/32
 x' ± 1"

UNIVERSITY OF ROCHESTER DEPT. OF PHYSICS AND ASTRONOMY SIDNEY W. BARNES RESEARCH LABORATORY			
TITLE X PLANE ASS'Y			
THIRD ANGLE PROJECTION 	DRAWN RSF	DATE 2/15/07	
	CHECKED RSF	DATE 2/15/07	
	APPROVED RSF	DATE 2/15/07	

THIS IS THE PROPERTY OF THE UNIVERSITY OF ROCHESTER. ANY USE OR REPRODUCTION WITHOUT AUTHORIZATION BY THIS UNIVERSITY IS PROHIBITED.

SCALE	DWG NO	REV
1:4	70007	—
SHEET 11 OF 13		

4

3

2

B

B

A

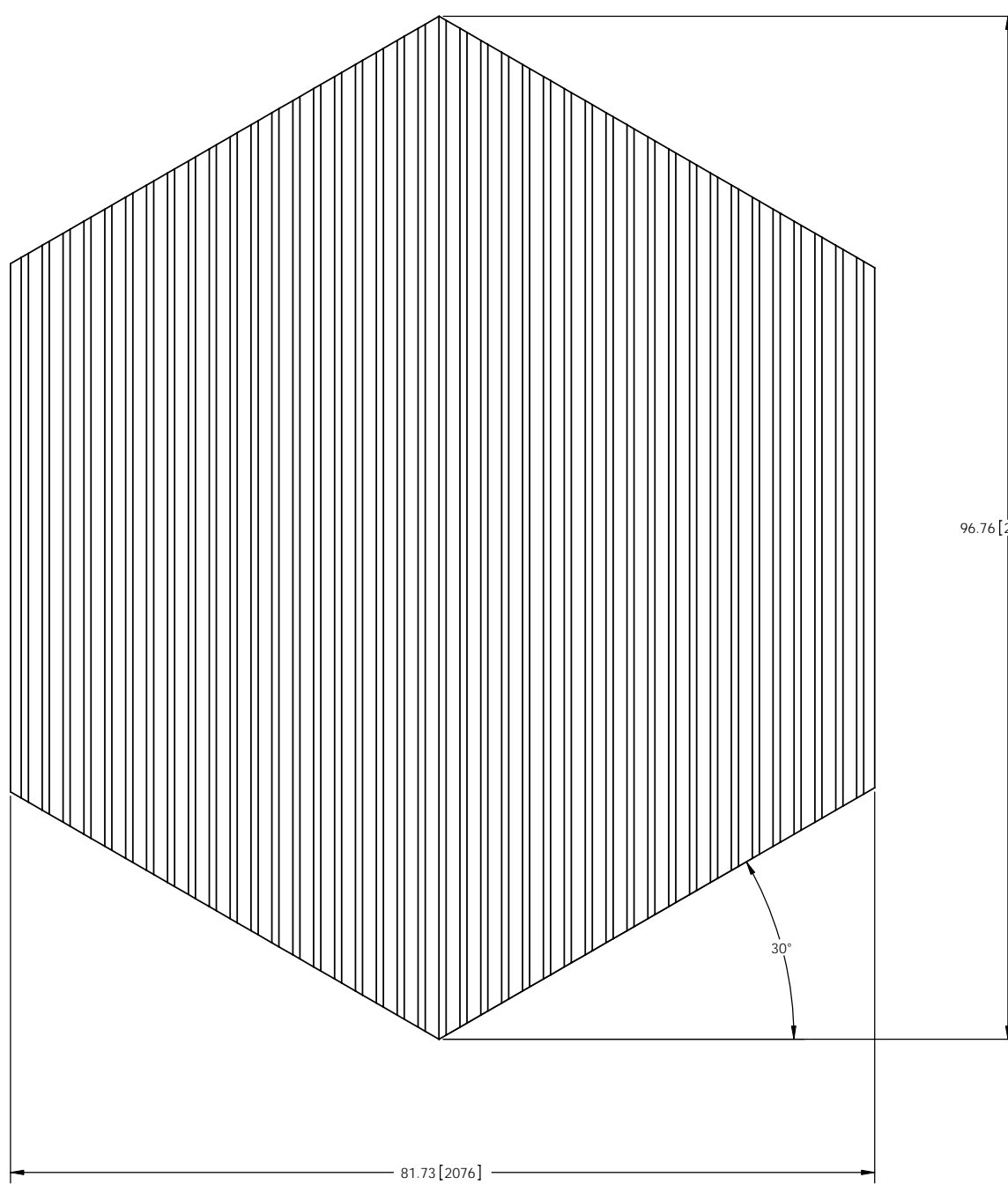
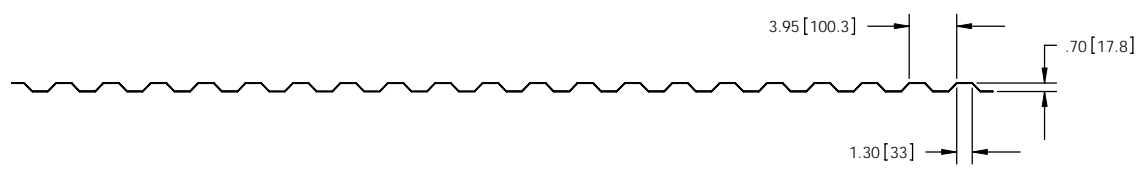
A

4

3

2

1



NOTE: DO NOT SCALE DRAWING !
ALL TOLERANCES UNLESS OTHERWISE SPECIFIED ARE

DIMENSIONS ARE IN:
 INCHES [mm] mm [IN]
 x.xx [x.x] ± .010 [.3]
 x.xxx [x.xx] ± .005 [.13]
 x.xxxx [x.xxx] ± .0005 [.013]
 xx/xx ± 1/32
 x' ± 1"

UNIVERSITY OF ROCHESTER
 DEPT. OF PHYSICS AND ASTRONOMY
 SIDNEY W. BARNES RESEARCH LABORATORY

TITLE: X PLANE ASS'Y

THIRD ANGLE PROJECTION

DRAWN	RSF	DATE	2/15/07
CHECKED	RSF	DATE	2/15/07
APPROVED	RSF	DATE	2/15/07

THIS IS THE PROPERTY OF THE UNIVERSITY OF ROCHESTER. ANY USE OR REPRODUCTION WITHOUT AUTHORIZATION BY THIS UNIVERSITY IS PROHIBITED.

SCALE	1:8	SHEET	12 OF 13
-------	-----	-------	----------

WEIGHT: 3.197 LBS FILE: 70007 X PLANE MODULE ASSY 127

4

3

2

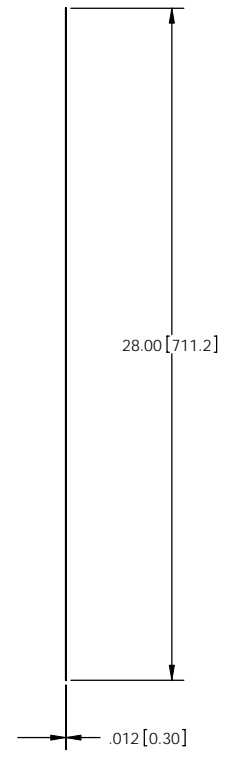
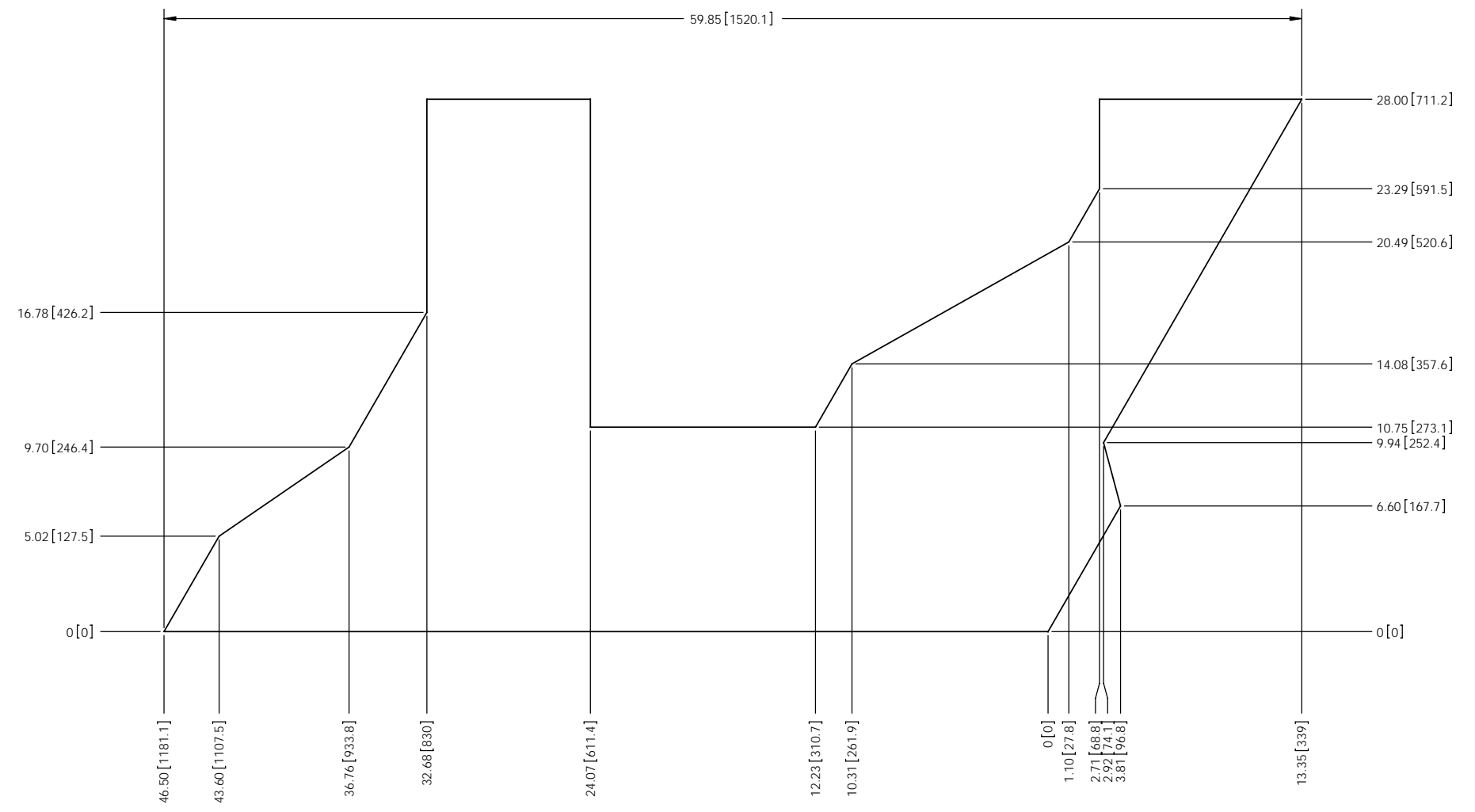
1

B

B

A

A



NOTE: DO NOT SCALE DRAWING !
ALL TOLERANCES UNLESS OTHERWISE SPECIFIED ARE

DIMENSIONS ARE IN:
 INCHES [mm] mm [IN]

x.xx [x.x] ± .010 [.3]
 x.xxx [x.xxx] ± .005 [.13]
 x.xxxx [x.xxxx] ± .0005 [.013]
 xx/xx ± 1/32
 x' ± 1"

UNIVERSITY OF ROCHESTER
 DEPT. OF PHYSICS AND ASTRONOMY
 SIDNEY W. BARNES RESEARCH LABORATORY

TITLE: X PLANE ASS'Y

THIRD ANGLE PROJECTION

DRAWN	RSF	DATE	2/15/07
CHECKED	RSF	DATE	2/15/07
APPROVED	RSF	DATE	2/15/07

THIS IS THE PROPERTY OF THE UNIVERSITY OF ROCHESTER. ANY USE OR REPRODUCTION WITHOUT AUTHORIZATION BY THIS UNIVERSITY IS PROHIBITED.

SCALE	1:4	SHEET	13 OF 13
-------	-----	-------	----------

WEIGHT: 0.465 LBS FILE: 70007 X PLANE MODULE ASSY 127