

FRONT (UPSTREAM SIDE)

V PLANE WITH PERIMETER BLOCKS W/ WEAVE & SKINS

Parts List					
ITEM NO.	QTY.	DESCRIPTION	MATERIAL	SIZE	WEIGHT
1	127	SCINTILLATOR EXTRUSION	DOW PS663	-	1.520
2	6	Pb SEGMENT NARROW EDGE	PURE LEAD	.078 x 5.91 x 48.38	8.23
3	1	WEAVE	PIEDMOND PLASTICS	#FR25A	3.197
4	1	3M EPOXY	3M EPOXY	#2216A/B	0.001
5	2	SKIN01	PIEDMOND PLASTICS	#FR25A	1.119
6	1	EPOXY-OPTICAL	MILLER STEVENSON CHEMICAL	#EPON815C & EPICURE3243	0.000
7	1	FIBER 127 LH, FLAT NEAR FIBER	WLS FIBER	1.2mm DIA	0.132
8	16	CONNECTOR BOX	DDK	200 x .793 x 1.067	0.004
9	1	COMB LH, U&V PLANES	TOTAL PLASTICS, PVC RIGID FOAM	1.25 x 2.63 x 49.39	5.642
10	1	COMB RH, U&V PLANES	TOTAL PLASTICS, PVC RIGID FOAM	1.25 x 2.63 x 49.39	4.120
11	1	COMB, CENTER	TOTAL PLASTICS, PVC RIGID FOAM	.71 [18mm] x 5.44 x 10.25	0.642
12	16	FIBER FERRULE	DDK	.150 x .661 x .667	0.002
13	1	FIBER 127 LH, FLAT NEAR FIBER	WLS FIBER	1.2mm DIA	0.134
14	2	EDGE SPACER, BOTTOM	TOTAL PLASTICS, PVC RIGID FOAM	.71 [18mm] x 2.63 x 50.11	2.657
15	16	LATCH CONNECTOR	DDK	.20 x .65 x 1.10	0.002
16	2	EDGE SPACER, VERTICAL	TOTAL PLASTICS, PVC RIGID FOAM	.71 [18mm] x 4.28 x 52.13	2.551
17	2	CONNECTOR BACK STRIP	ALUM	-	0.230
18	4	BAGGIE	AMERICOVER	TS10FR, DARK BLUE, 0.012" THK	0.465

NOTE: DO NOT SCALE DRAWING!
ALL TOLERANCES UNLESS OTHERWISE SPECIFIED ARE

DIMENSIONS ARE IN:
 INCHES [mm] mm [IN]

xxx [x,x] ± .010 [.3]
 xxx [x,xx] ± .005 [.13]
 xxxxx [x,xxx] ± .0005 [.013]
 xx/xx ± 1/32
 x' ± 1"

UNIVERSITY OF ROCHESTER
 DEPT. OF PHYSICS AND ASTRONOMY
 SIDNEY W. BARNES RESEARCH LABORATORY

TITLE: V PLANE ASS'Y

THIRD ANGLE PROJECTION

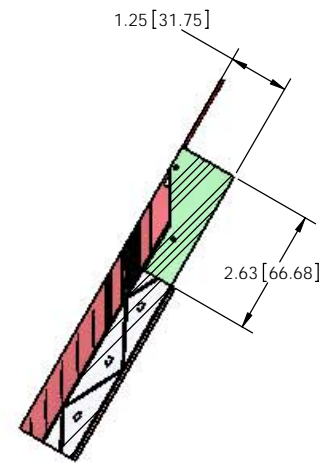
DRAWN	RSF	DATE	2/15/07
CHECKED	RSF	DATE	2/15/07
APPROVED	RSF	DATE	2/15/07

THIS IS THE PROPERTY OF THE UNIVERSITY OF ROCHESTER. ANY USE OR REPRODUCTION WITHOUT AUTHORIZATION BY THIS UNIVERSITY IS PROHIBITED.

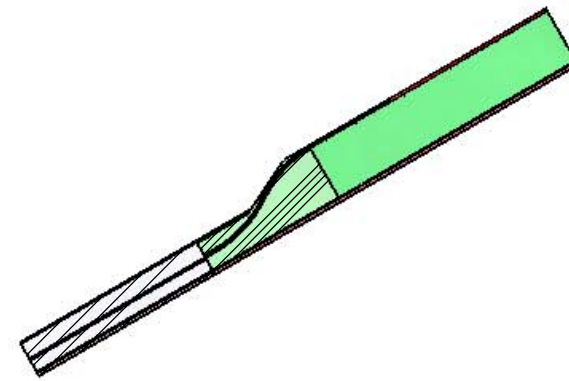
DWG NO: 70009

SCALE: 1:8 SHEET: 1 OF 14

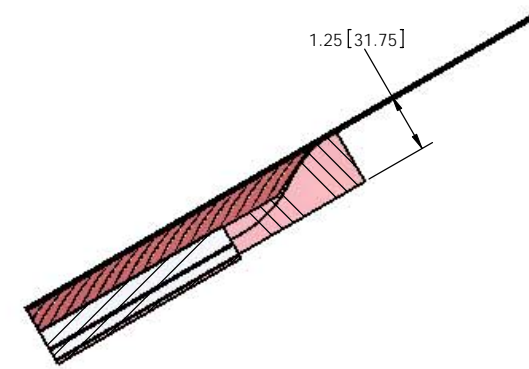
WEIGHT: 222 LBS FILE: 70009 V PLANE MODULE ASSY 127



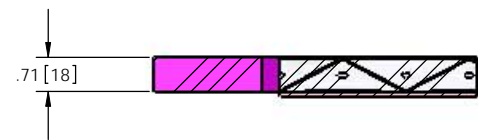
SECTION C-C



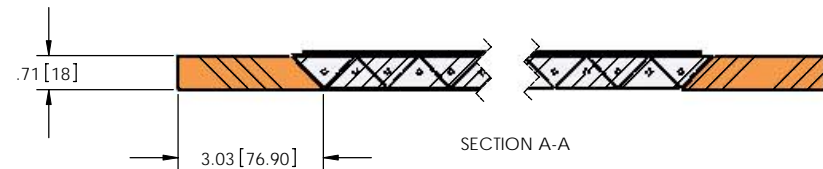
SECTION D-D



SECTION E-E



SECTION B-B



SECTION A-A

NOTE: DO NOT SCALE DRAWING !
ALL TOLERANCES UNLESS OTHERWISE SPECIFIED ARE

DIMENSIONS ARE IN:
 □ INCHES [mm] □ mm [IN]

x.xx [x.x] ± .010 [.3]
 x.xxx [x.xx] ± .005 [.13]
 x.xxxx [x.xxx] ± .0005 [.013]
 xx/xx ± 1/32
 x' ± 1"

UNIVERSITY OF ROCHESTER
 DEPT. OF PHYSICS AND ASTRONOMY
 SIDNEY W. BARNES RESEARCH LABORATORY

TITLE: V PLANE ASS'Y

THIRD ANGLE PROJECTION

DRAWN	RSF	DATE	2/15/07
CHECKED	RSF	DATE	2/15/07
APPROVED	RSF	DATE	2/15/07

THIS IS THE PROPERTY OF THE UNIVERSITY OF ROCHESTER. ANY USE OR REPRODUCTION WITHOUT AUTHORIZATION BY THIS UNIVERSITY IS PROHIBITED.

SCALE	1:2	SHEET	2 OF 14
-------	-----	-------	---------

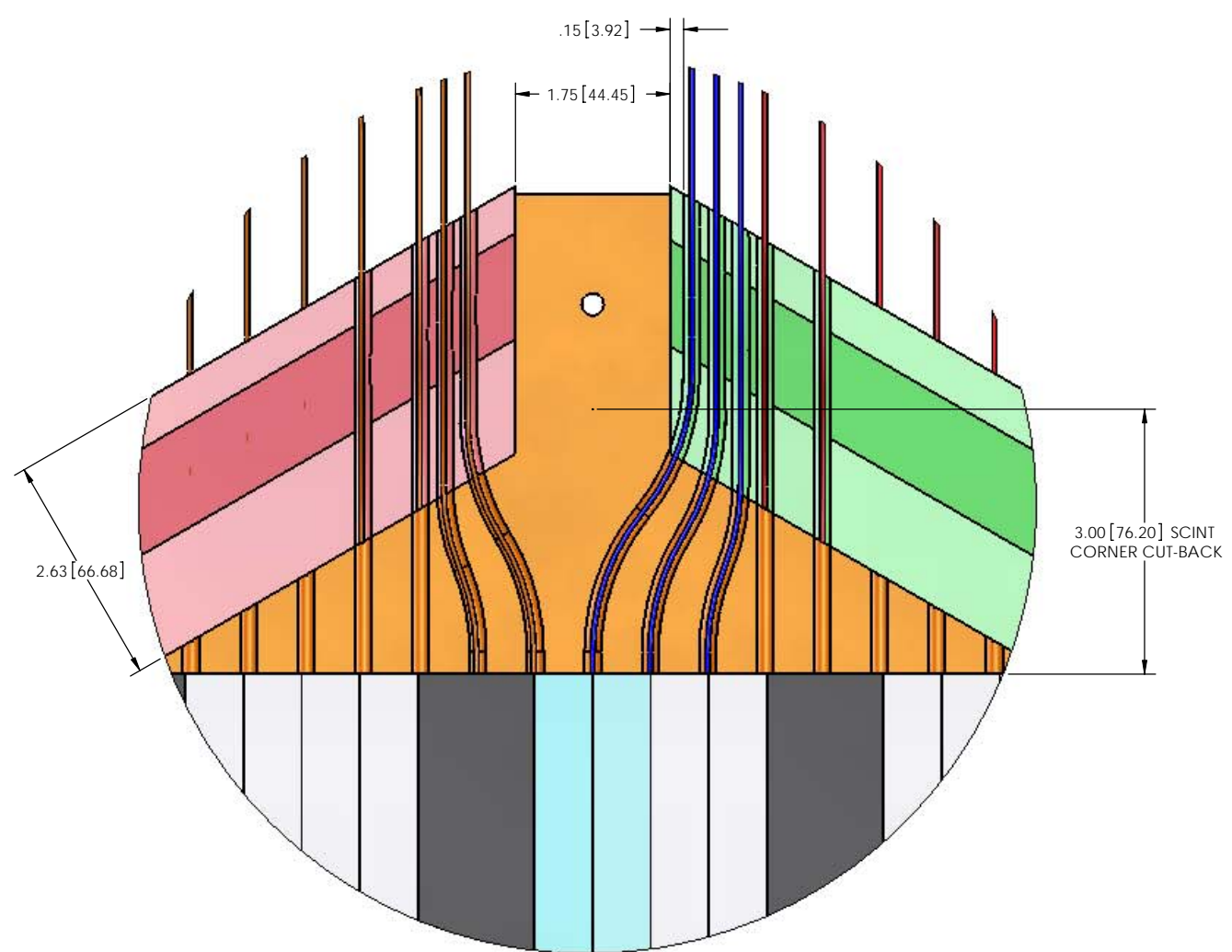
WEIGHT: 222 LBS FILE: 70009 V PLANE MODULE ASSY 127

4

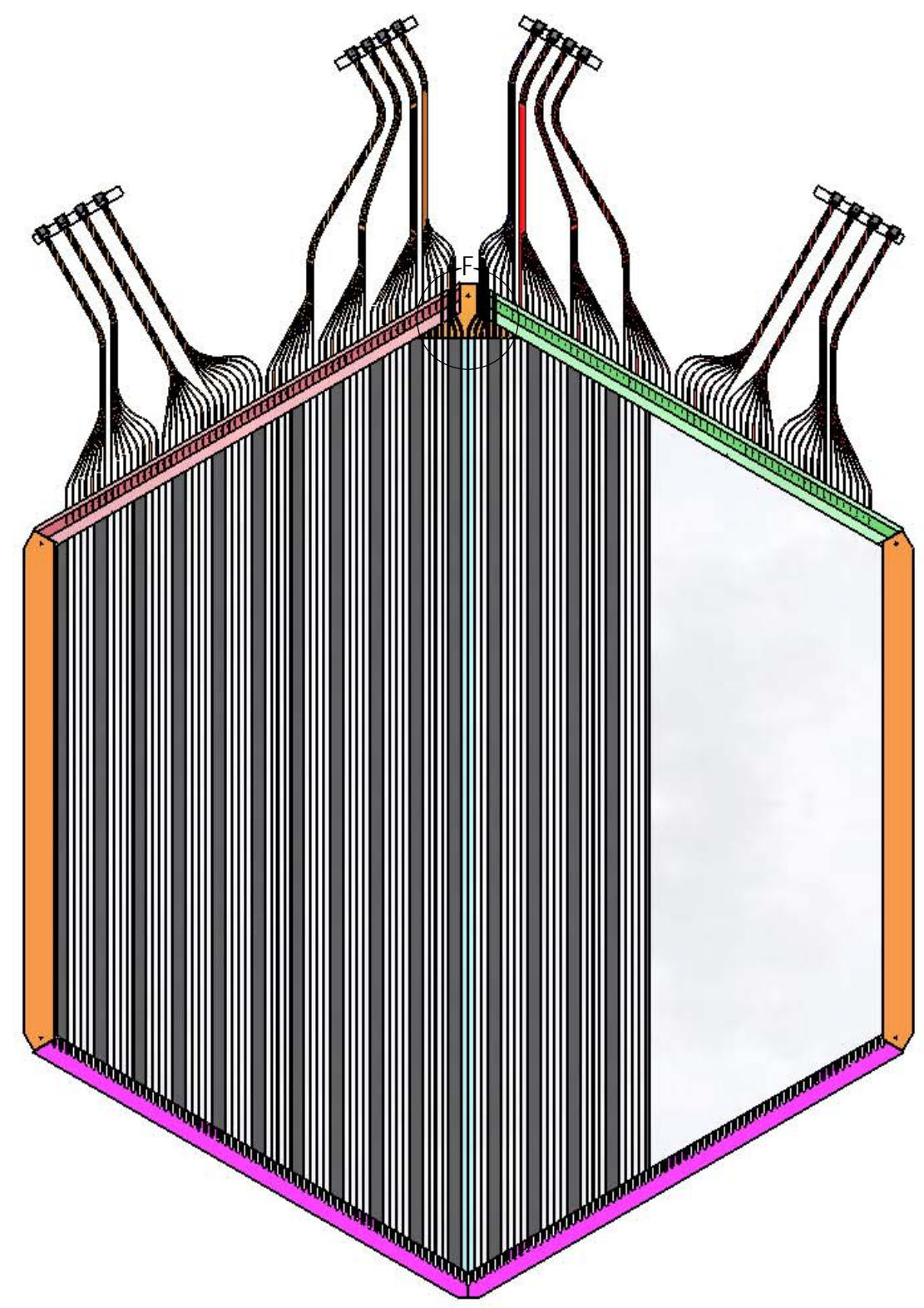
3

2

1



DETAIL F
SCALE 1:1



BACK (DOWNSTREAM SIDE)
BAGGIES REMOVED FOR CLARITY

NOTE: DO NOT SCALE DRAWING!
ALL TOLERANCES UNLESS OTHERWISE SPECIFIED ARE

DIMENSIONS ARE IN:
 □ INCHES [mm] □ mm [IN]
 x.xx [x.x] ± .010 [.3]
 x.xxx [x.xxx] ± .005 [.13]
 x.xxxx [x.xxxx] ± .0005 [.013]
 x"/xx ± 1/32
 x' ± 1"

UNIVERSITY OF ROCHESTER
DEPT. OF PHYSICS AND ASTRONOMY
SIDNEY W. BARNES RESEARCH LABORATORY

TITLE: V PLANE ASS'Y

THIRD ANGLE PROJECTION

DRAWN	RSF	DATE	2/15/07
CHECKED	RSF	DATE	2/15/07
APPROVED	RSF	DATE	2/15/07

SCALE: 1:8 SHEET: 3 OF 14

WEIGHT: 222 LBS FILE: 70009 V PLANE MODULE ASSY 127

4

3

2

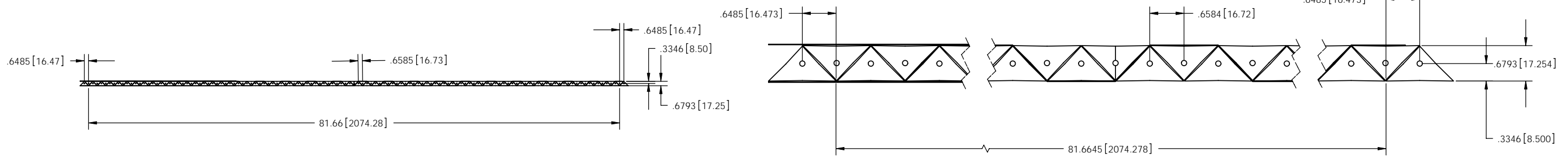
1

4

3

2

1

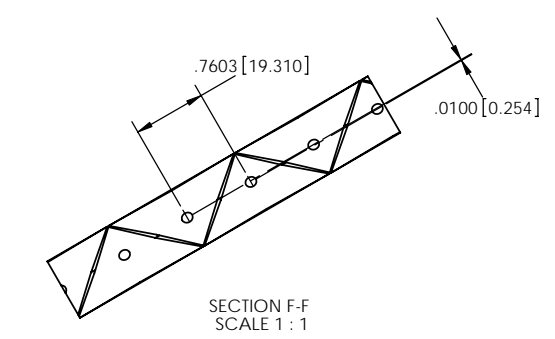
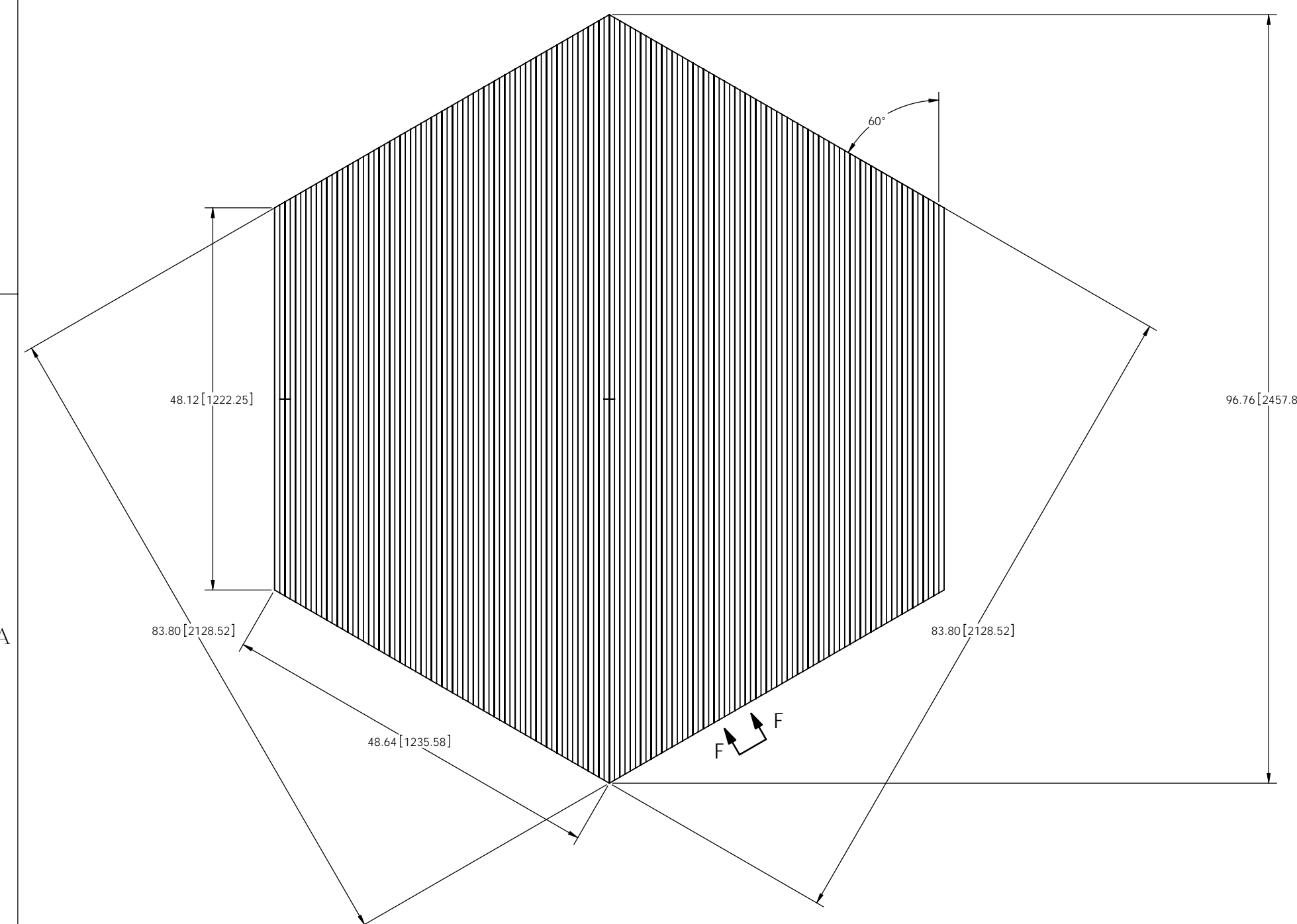


B

B

A

A



127 SCINTILLATOR PLANE,
WITHOUT APEX CUT BACK
DIMENSIONS ARE WITHOUT
LEXAN WEAVE ALLOWANCE

NOTE: DO NOT SCALE DRAWING !
ALL TOLERANCES UNLESS
OTHERWISE SPECIFIED ARE

DIMENSIONS ARE IN:
 □ INCHES [mm] □ mm [IN]
 x.xx [x.x] ± .010 [.3]
 x.xxx [x.xxx] ± .005 [.13]
 x.xxxx [x.xxxx] ± .0005 [.013]
 xx/xx ± 1/32
 x' ± 1"

UNIVERSITY OF ROCHESTER
DEPT. OF PHYSICS AND ASTRONOMY
SIDNEY W. BARNES RESEARCH LABORATORY

TITLE: V PLANE ASS'Y

THIRD ANGLE PROJECTION

DRAWN	RSF	DATE	2/15/07
CHECKED	RSF	DATE	2/15/07
APPROVED	RSF	DATE	2/15/07

THIS IS THE PROPERTY OF THE UNIVERSITY OF ROCHESTER. ANY USE OR REPRODUCTION WITHOUT AUTHORIZATION BY THIS UNIVERSITY IS PROHIBITED.

DWG NO: 70009
SCALE: 1:8 SHEET: 4 OF 14

WEIGHT: 196 LBS FILE: 70009 V PLANE MODULE ASSY 127

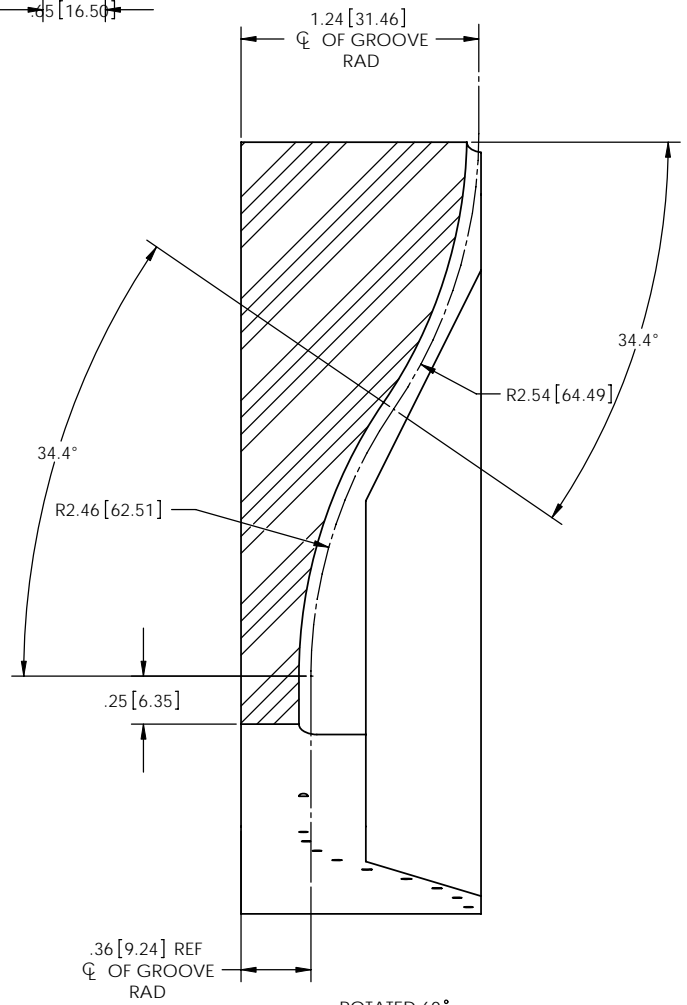
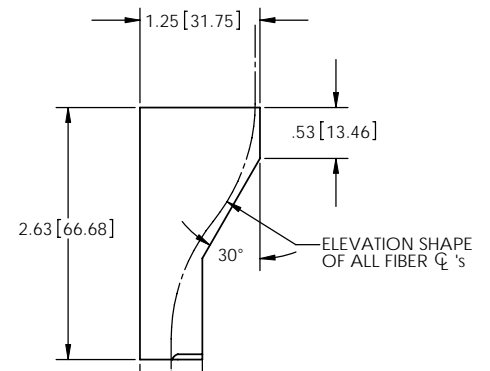
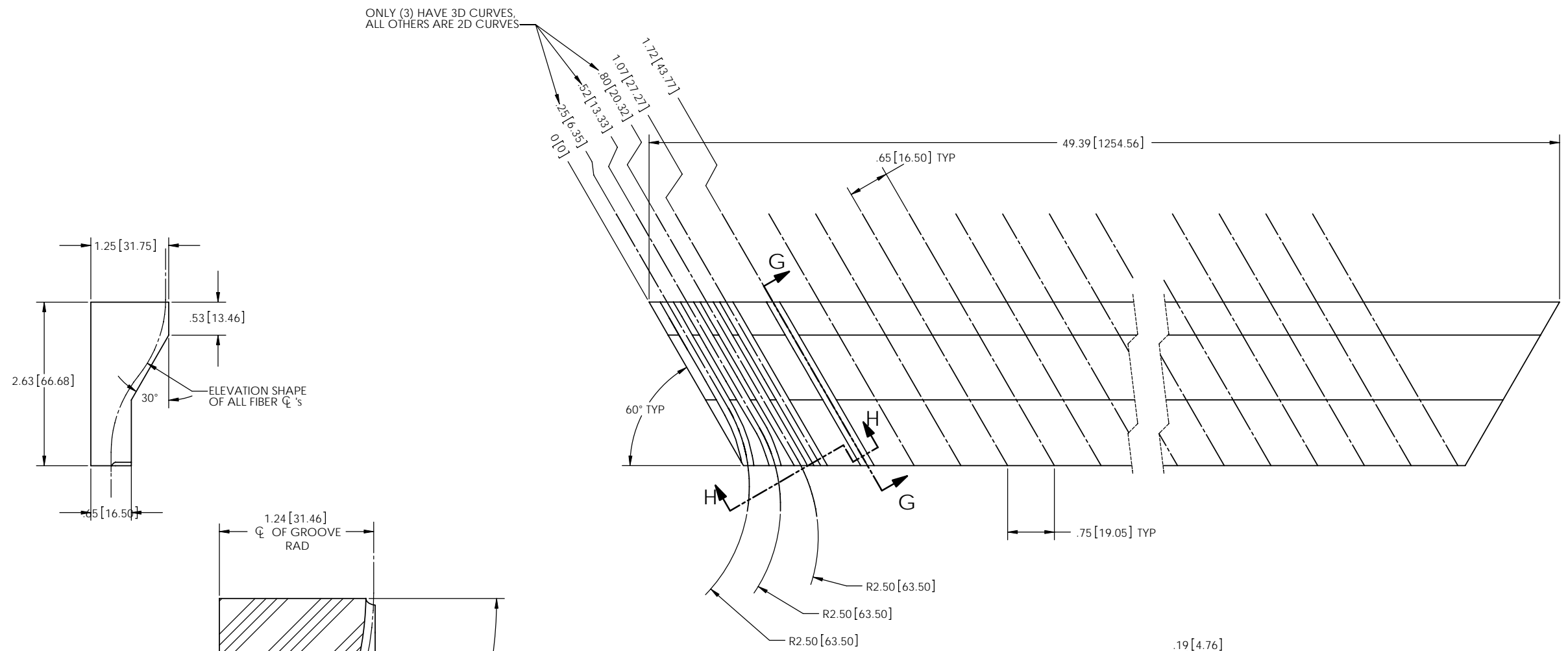
4

3

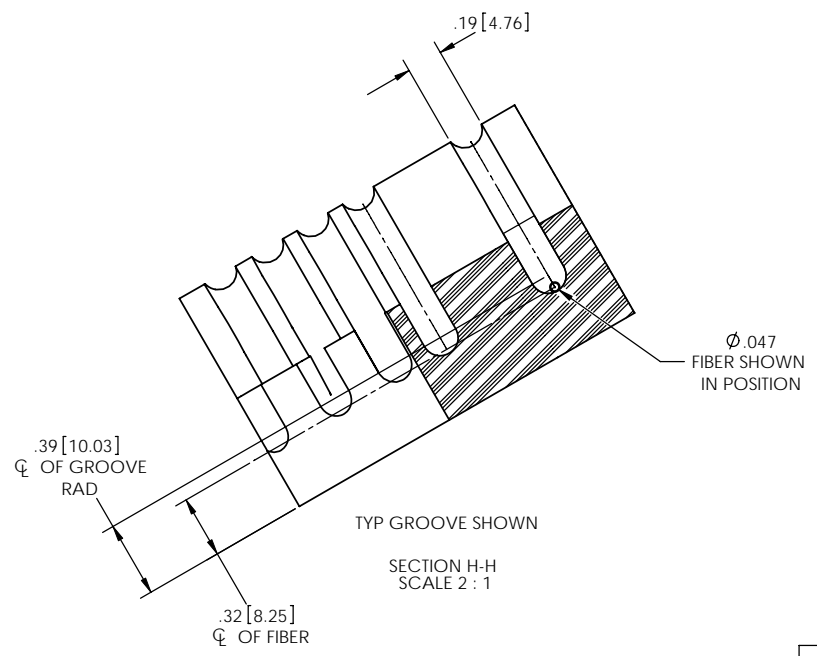
2

1

ONLY (3) HAVE 3D CURVES.
ALL OTHERS ARE 2D CURVES



ROTATED 60°
SECTION G-G
SCALE 2 : 1



FIBER ROUTING
COMB, LH
U & V PLANES

UPPER COMB LH SHOWN,
RH IS OPPOSITE - SEE SHT 5

NOTE: DO NOT SCALE DRAWING!
ALL TOLERANCES UNLESS
OTHERWISE SPECIFIED ARE

DIMENSIONS ARE IN:
 □ INCHES [mm] □ mm [IN]
 x.xxx [x.x] ± .010 [.3]
 x.xxxx [x.xxx] ± .005 [.13]
 x.xxxxx [x.xxxx] ± .0005 [.013]
 xx/xx ± 1/32
 x' ± 1"

UNIVERSITY OF ROCHESTER DEPT. OF PHYSICS AND ASTRONOMY SIDNEY W. BARNES RESEARCH LABORATORY			
TITLE V PLANE ASS'Y			
THIRD ANGLE PROJECTION	DRAWN RSF	DATE 2/15/07	
	CHECKED RSF	DATE 2/15/07	
	APPROVED RSF	DATE 2/15/07	

THIS IS THE PROPERTY OF THE UNIVERSITY OF ROCHESTER. ANY USE OR REPRODUCTION WITHOUT AUTHORIZATION BY THIS UNIVERSITY IS PROHIBITED.

FILE DWG NO	70009	REV	
SCALE 1:1	SHEET 5 OF 14		

WEIGHT: 5.642 LBS

FILE: 70009 V PLANE MODULE ASSY 127

4

3

2

1

4

3

2

1

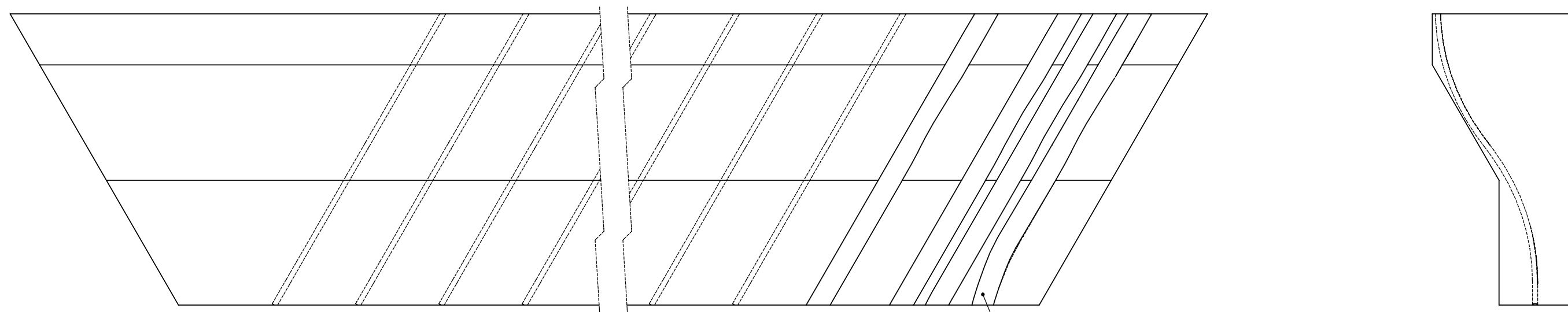
REVISIONS				
ZONE	REV	DESCRIPTION	DATE	APPRV
-	-	INITIAL ISSUE	-	-

B

B

A

A



ONLY GROOVES #2 & #3 ARE 3D,
GROOVE #1 IS NOT NEEDED &
NOT SHOWN

UPPER COMB RH SHOWN
OPPOSITE OF LH,
SHOWN ON SHT 4

NOTE: DO NOT SCALE DRAWING !
ALL TOLERANCES UNLESS
OTHERWISE SPECIFIED ARE

DIMENSIONS ARE IN:
 □ INCHES [mm] □ mm [IN]

x.xxx [x.x] ± .010 [.3]
 x.xxxx [x.xxx] ± .005 [.13]
 x.xxxxx [x.xxxx] ± .0005 [.013]
 xx/xx ± 1/32
 x' ± 1"

UNIVERSITY OF ROCHESTER
DEPT. OF PHYSICS AND ASTRONOMY
SIDNEY W. BARNES RESEARCH LABORATORY

TITLE: V PLANE ASS'Y

THIRD ANGLE PROJECTION

DRAWN	RSF	DATE	2/15/07
CHECKED	RSF	DATE	2/15/07
APPROVED	RSF	DATE	2/15/07

THIS IS THE PROPERTY OF THE UNIVERSITY OF ROCHESTER. ANY USE OR REPRODUCTION WITHOUT AUTHORIZATION BY THIS UNIVERSITY IS PROHIBITED.

DWG NO	70009	REV	-
SCALE	2:1	SHEET	6 OF 14

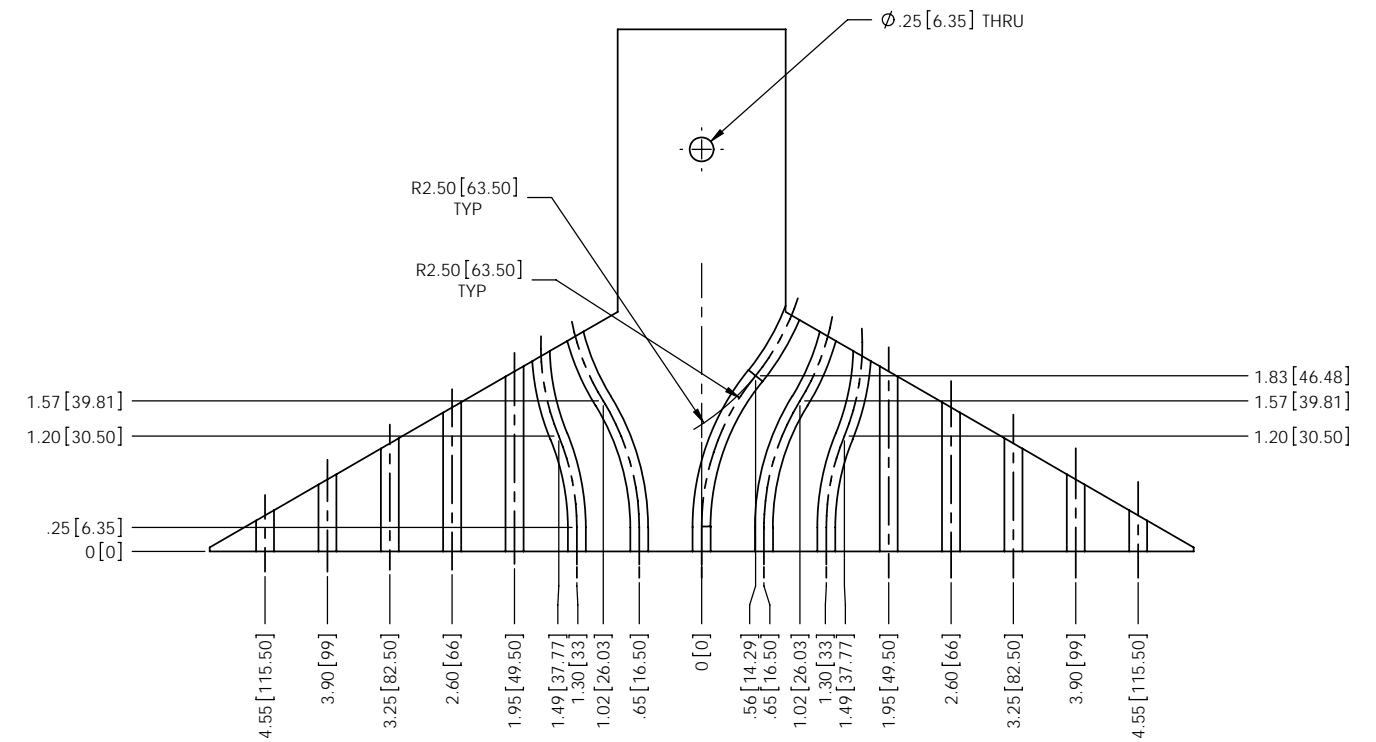
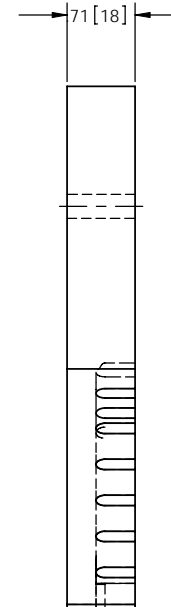
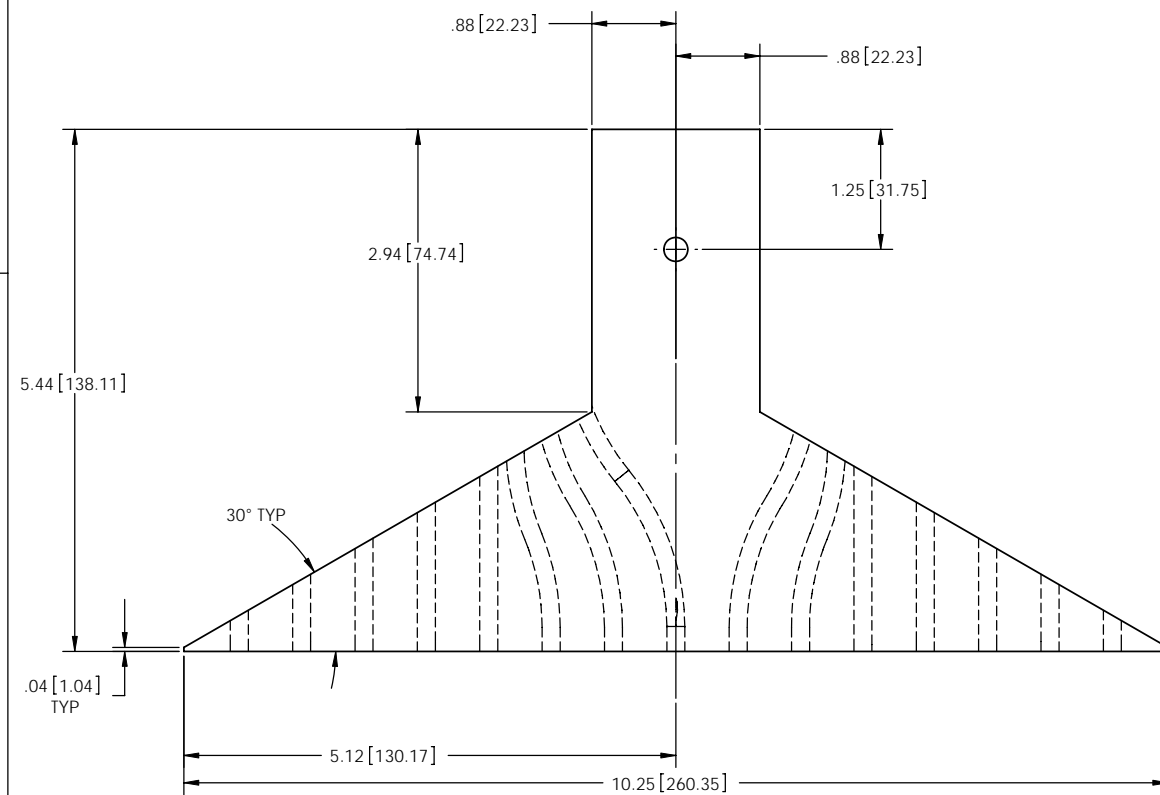
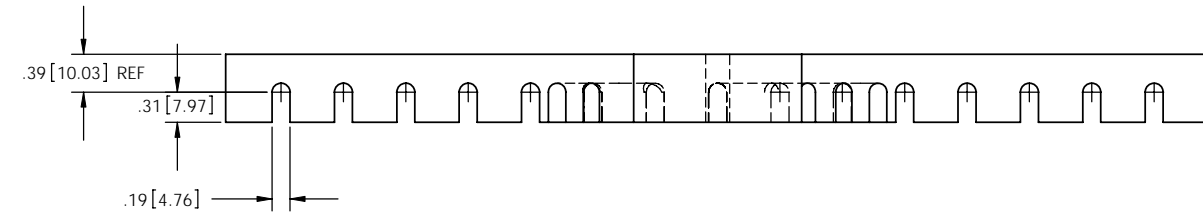
4

3

2

1

REVISIONS				
ZONE	REV	DESCRIPTION	DATE	APPRV
-	-	INITIAL ISSUE	-	-



CENTER COMB
ALL CURVED GROOVES
ARE PLANAR, 2D

NOTE: CENTER COMB IS THE SAME FOR
U, V, & X PLANES

NOTE: DO NOT SCALE DRAWING!
ALL TOLERANCES UNLESS
OTHERWISE SPECIFIED ARE

DIMENSIONS ARE IN:
 □ INCHES [mm] □ mm [IN]

x.xxx [x.x] ± .010 [.3]
 x.xxxx [x.xxx] ± .005 [.13]
 x.xxxxx [x.xxxx] ± .0005 [.013]
 xx/xx ± 1/32
 x' ± 1"

UNIVERSITY OF ROCHESTER
DEPT. OF PHYSICS AND ASTRONOMY
SIDNEY W. BARNES RESEARCH LABORATORY

V PLANE ASS'Y

THIRD ANGLE PROJECTION	DRAWN RSF	DATE 2/15/07
	CHECKED RSF	DATE 2/15/07
	APPROVED RSF	DATE 2/15/07

THIS IS THE PROPERTY OF THE UNIVERSITY OF ROCHESTER. ANY USE OR REPRODUCTION WITHOUT AUTHORIZATION BY THIS UNIVERSITY IS PROHIBITED.	DWG NO 70009	REV —
SCALE 1:1	SHEET 7 OF 14	

WEIGHT: 0.642 LBS

FILE: 70009 V PLANE MODULE ASSY 127

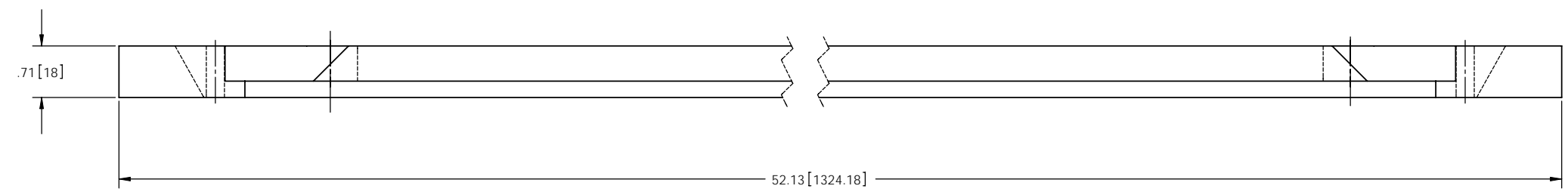
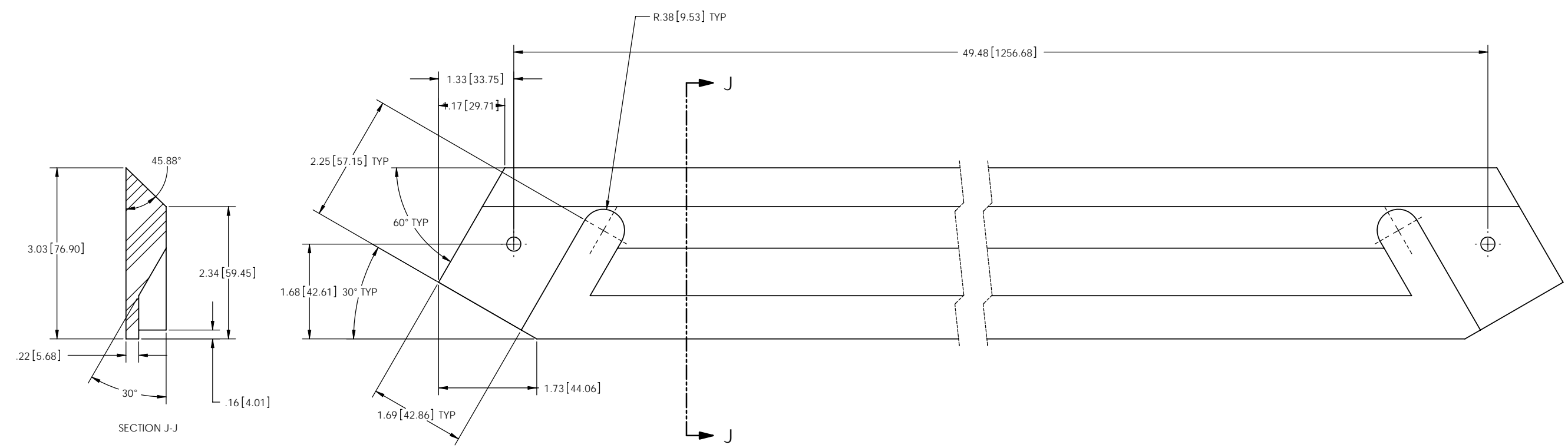
4

3

2

1

REVISIONS				
ZONE	REV	DESCRIPTION	DATE	APPRV
-	-	INITIAL ISSUE	-	-



SIDE SPACER BAR
QTY: 1 PER PLANE

NOTE: SIDE SPACER BARS ARE THE SAME FOR U, V, & X PLANES

NOTE: DO NOT SCALE DRAWING !
ALL TOLERANCES UNLESS OTHERWISE SPECIFIED ARE

DIMENSIONS ARE IN:
 □ INCHES [mm] □ mm [IN]

x.xx [x.x] ± .010 [.3]
 x.xxx [x.xxx] ± .005 [.13]
 x.xxxx [x.xxxx] ± .0005 [.013]
 xx/xx ± 1/32
 x' ± 1"

UNIVERSITY OF ROCHESTER
DEPT. OF PHYSICS AND ASTRONOMY
SIDNEY W. BARNES RESEARCH LABORATORY

TITLE: V PLANE ASS'Y

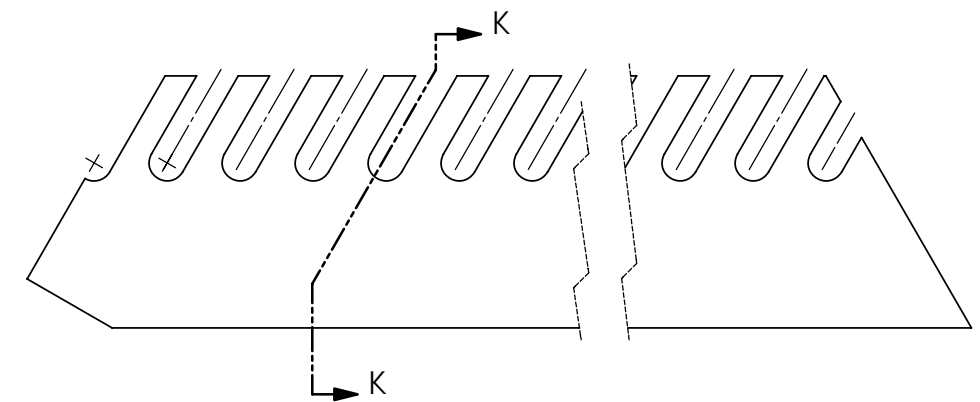
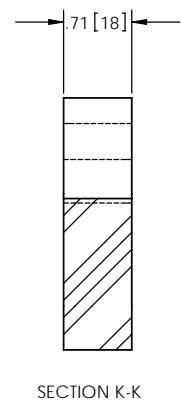
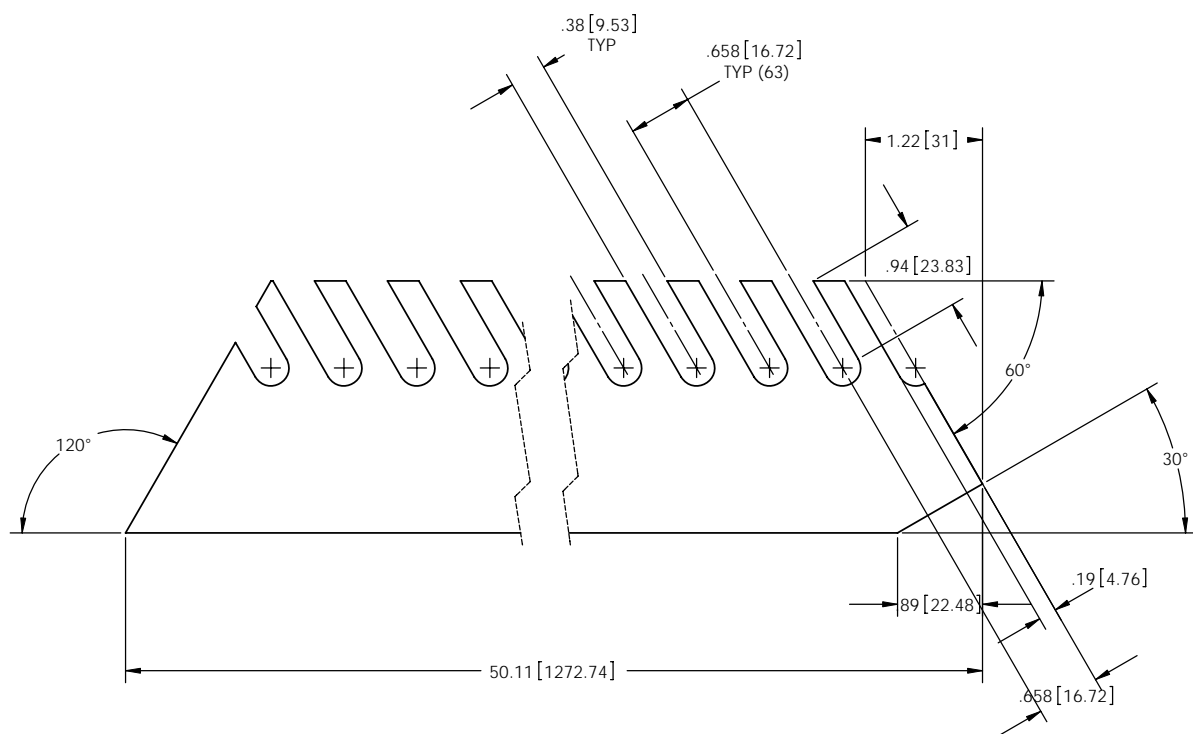
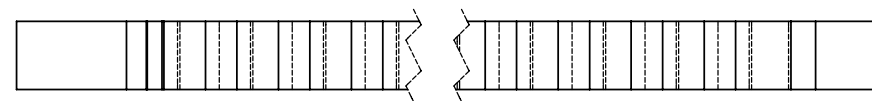
THIRD ANGLE PROJECTION

DRAWN	RSF	DATE	2/15/07
CHECKED	RSF	DATE	2/15/07
APPROVED	RSF	DATE	2/15/07

SCALE: 1:1 SHEET 8 OF 14

WEIGHT: 2.551 LBS FILE: 70009 V PLANE MODULE ASSY 127

REVISIONS				
ZONE	REV	DESCRIPTION	DATE	APPRV
-	-	INITIAL ISSUE	-	-



BOTTOM COMB
QTY: 2 EA PER PLANE

NOTE: BOTTOM COMBS ARE THE SAME FOR U, V, & X PLANES

NOTE: DO NOT SCALE DRAWING !
 ALL TOLERANCES UNLESS OTHERWISE SPECIFIED ARE

DIMENSIONS ARE IN:
 □ INCHES [mm] □ mm [IN]

x.xxx [x.x] ± .010 [.3]
 x.xxxx [x.xx] ± .005 [.13]
 x.xxxxx [x.xxx] ± .0005 [.013]
 xx/xx ± 1/32
 x' ± 1"

UNIVERSITY OF ROCHESTER DEPT. OF PHYSICS AND ASTRONOMY SIDNEY W. BARNES RESEARCH LABORATORY			
TITLE: V PLANE ASS'Y			
THIRD ANGLE PROJECTION	DRAWN: RSF	DATE: 2/15/07	
	CHECKED: RSF	DATE: 2/15/07	
	APPROVED: RSF	DATE: 2/15/07	

THIS IS THE PROPERTY OF THE UNIVERSITY OF ROCHESTER. ANY USE OR REPRODUCTION WITHOUT AUTHORIZATION BY THIS UNIVERSITY IS PROHIBITED.	DWG NO: 70009	REV: -
SCALE: 1:1	SHEET: 9 OF 14	

4

3

2

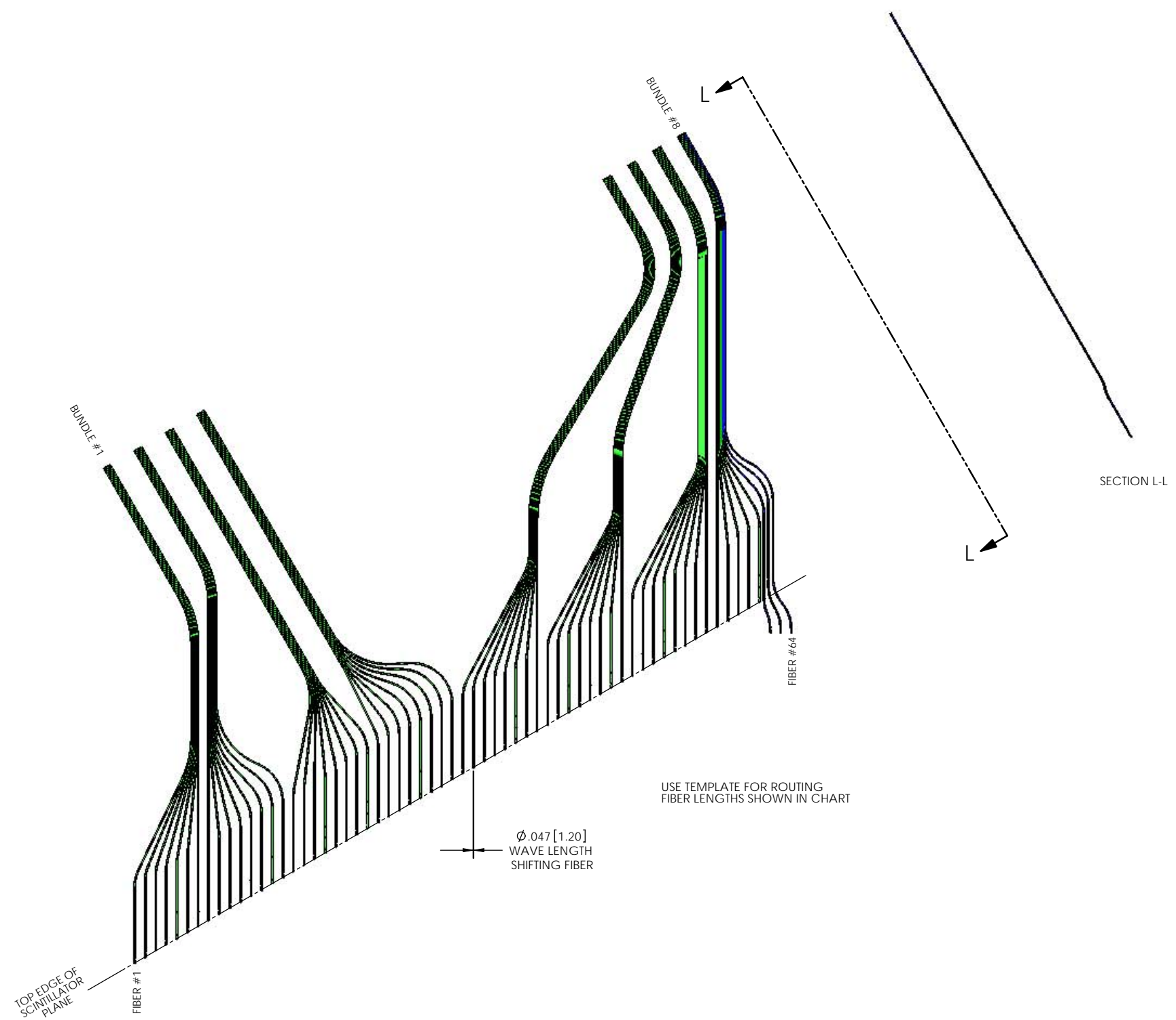
1

B

B

A

A



NOTE: DO NOT SCALE DRAWING !
ALL TOLERANCES UNLESS OTHERWISE SPECIFIED ARE

DIMENSIONS ARE IN:
 □ INCHES [mm] □ mm [IN]
 x.xx [x.x] ± .010 [.3]
 x.xxx [x.xx] ± .005 [.13]
 x.xxxx [x.xxx] ± .0005 [.013]
 xx/xx ± 1/32
 x' ± 1"

UNIVERSITY OF ROCHESTER
 DEPT. OF PHYSICS AND ASTRONOMY
 SIDNEY W. BARNES RESEARCH LABORATORY

TITLE: V PLANE ASS'Y

THIRD ANGLE PROJECTION	DRAWN	RSF	DATE	2/15/07
	CHECKED	RSF	DATE	2/15/07
	APPROVED	RSF	DATE	2/15/07

SCALE	1:1	SHEET	10 OF 14
-------	-----	-------	----------

THIS IS THE PROPERTY OF THE UNIVERSITY OF ROCHESTER. ANY USE OR REPRODUCTION WITHOUT AUTHORIZATION BY THIS UNIVERSITY IS PROHIBITED.

FILE	DWG NO	REV
D	70009	—

WEIGHT: 0.135 LBS FILE: 70009 V PLANE MODULE ASSY 127

4

3

2

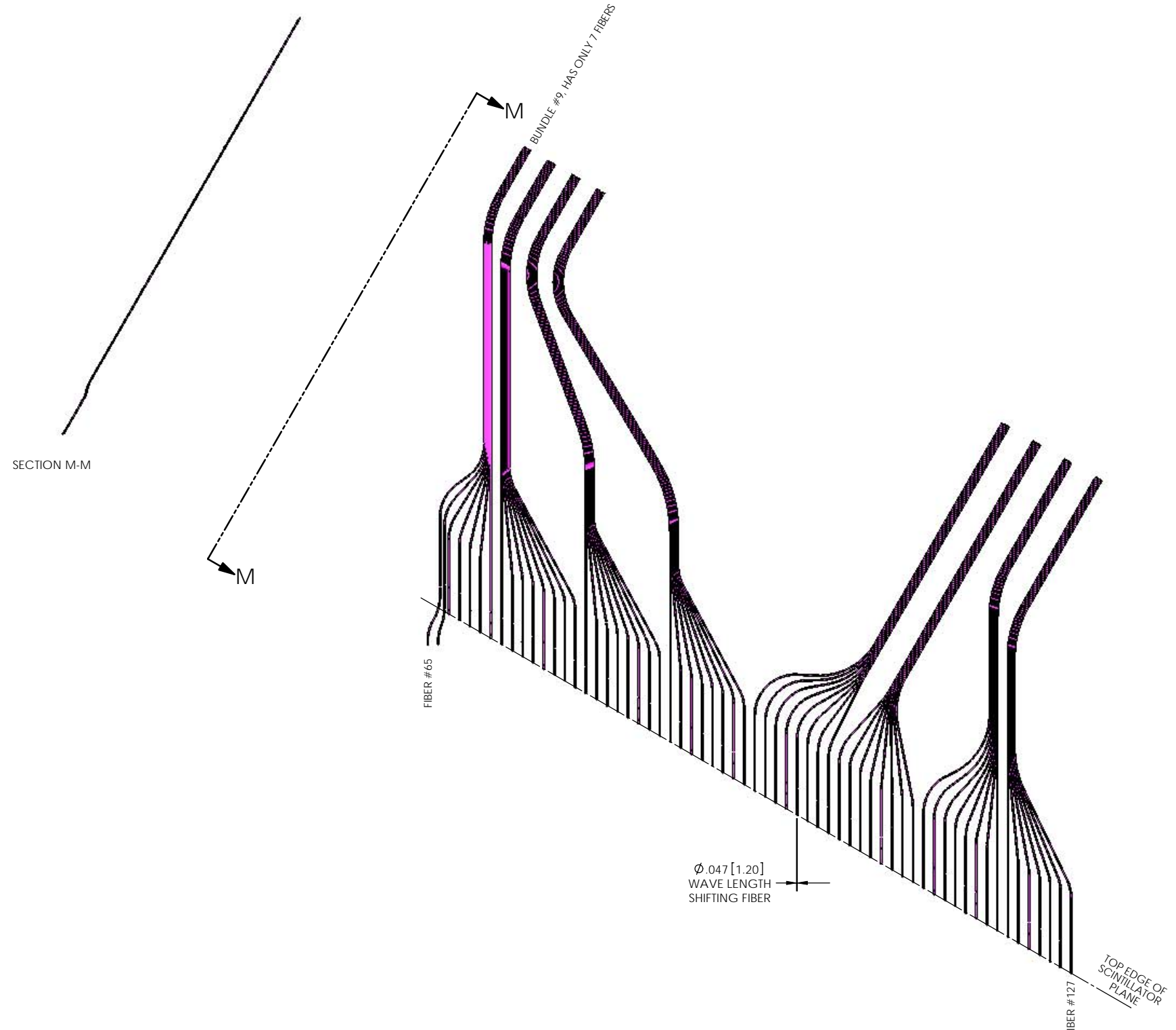
1

4

3

2

1



USE TEMPLATE FOR ROUTING FIBER LENGTHS SHOWN IN CHART

NOTE: DO NOT SCALE DRAWING !
ALL TOLERANCES UNLESS OTHERWISE SPECIFIED ARE

DIMENSIONS ARE IN:
 □ INCHES [mm] □ mm [IN]

x.xx [x,x] ± .010 [.3]
 x.xxx [x,xx] ± .005 [.13]
 x.xxxx [x,xxx] ± .0005 [.013]
 xx/xx ± 1/32
 x' ± 1"

UNIVERSITY OF ROCHESTER DEPT. OF PHYSICS AND ASTRONOMY SIDNEY W. BARNES RESEARCH LABORATORY			
TITLE V PLANE ASS'Y			
THIRD ANGLE PROJECTION 	DRAWN RSF	DATE 2/15/07	
	CHECKED RSF	DATE 2/15/07	
	APPROVED RSF	DATE 2/15/07	

THIS IS THE PROPERTY OF THE UNIVERSITY OF ROCHESTER. ANY USE OR REPRODUCTION WITHOUT AUTHORIZATION BY THIS UNIVERSITY IS PROHIBITED.		SCALE 1:1	SHEET 11 OF 14	REV —
WEIGHT: 0.135 LBS		FILE: 70009 V PLANE MODULE ASSY 127		

4

3

2

B

B

A

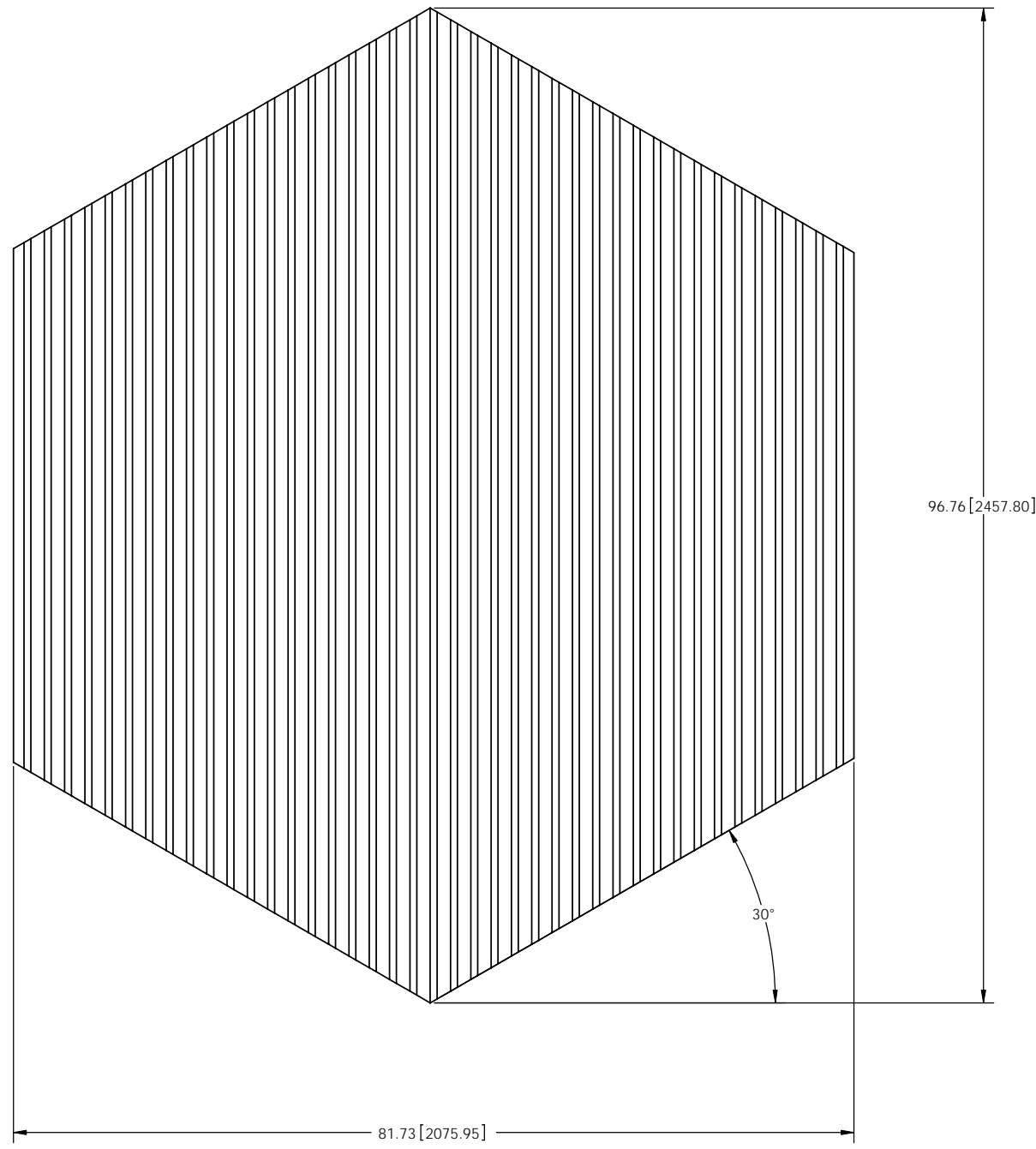
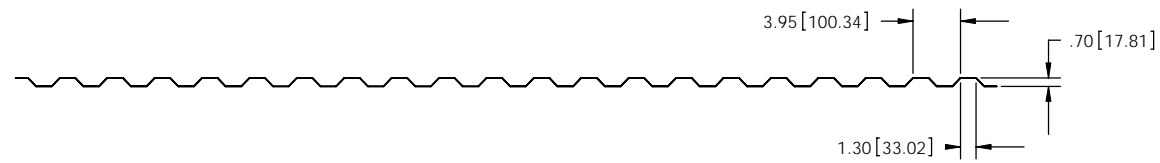
A

4

3

2

1



NOTE: DO NOT SCALE DRAWING !
ALL TOLERANCES UNLESS OTHERWISE SPECIFIED ARE

DIMENSIONS ARE IN:
 □ INCHES [mm] □ mm [IN]
 x.xx [x.x] ± .010 [.3]
 x.xxx [x.xxx] ± .005 [.13]
 x.xxxx [x.xxxx] ± .0005 [.013]
 xx/xx ± 1/32
 x' ± 1"

UNIVERSITY OF ROCHESTER
 DEPT. OF PHYSICS AND ASTRONOMY
 SIDNEY W. BARNES RESEARCH LABORATORY

TITLE: V PLANE ASS'Y

THIRD ANGLE PROJECTION

DRAWN	RSF	DATE	2/15/07
CHECKED	RSF	DATE	2/15/07
APPROVED	RSF	DATE	2/15/07

THIS IS THE PROPERTY OF THE UNIVERSITY OF ROCHESTER. ANY USE OR REPRODUCTION WITHOUT AUTHORIZATION BY THIS UNIVERSITY IS PROHIBITED.

SCALE	1:1	SHEET	12 OF 14
-------	-----	-------	----------

WEIGHT: 3.197 LBS FILE: 70009 V PLANE MODULE ASSY 127

4

3

2

B

B

A

A

4

3

2

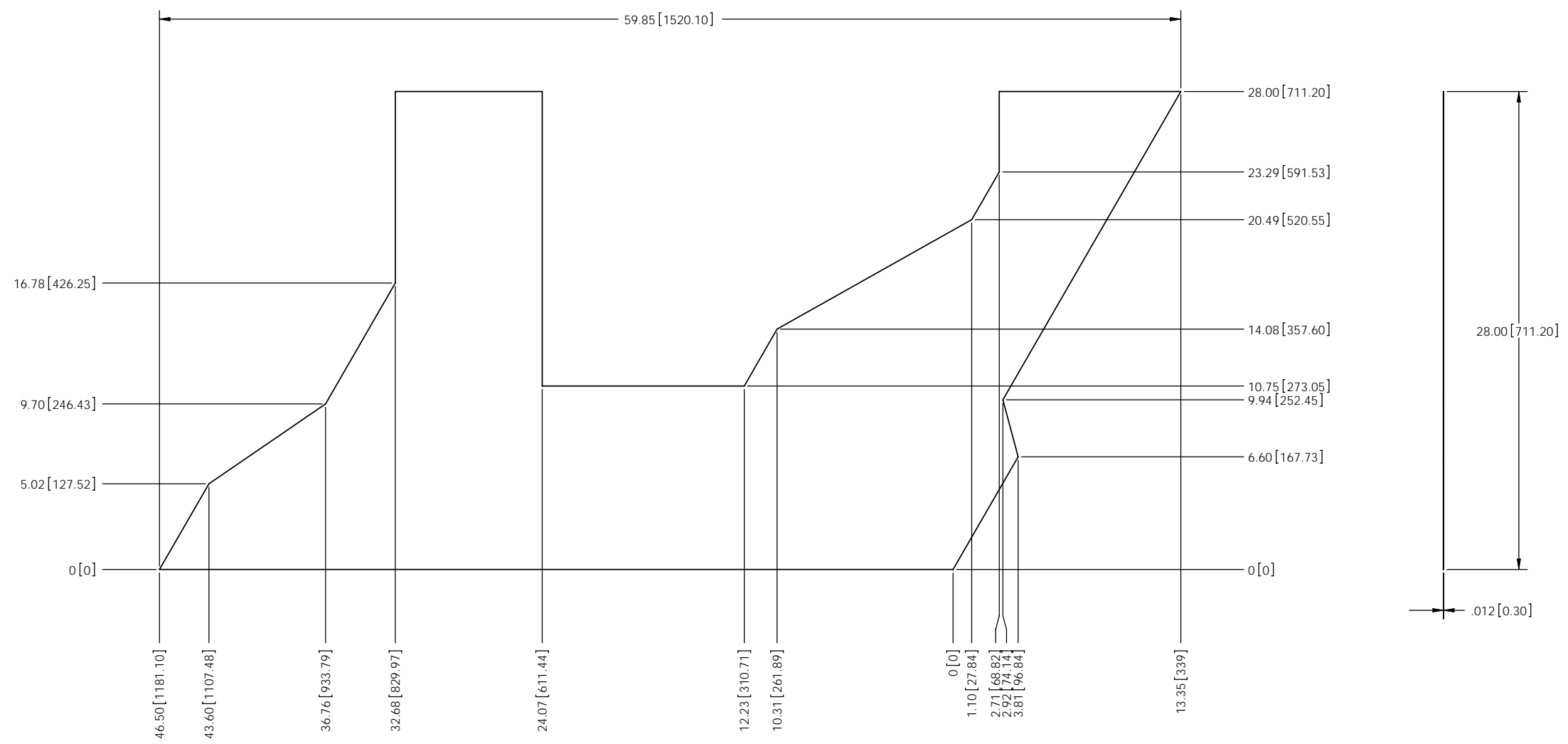
1

B

B

A

A



NOTE: DO NOT SCALE DRAWING !
ALL TOLERANCES UNLESS OTHERWISE SPECIFIED ARE

DIMENSIONS ARE IN:
 INCHES [mm] mm [IN]

x.xx [x,x] ± .010 [.3]
 x.xxx [x,xx] ± .005 [.13]
 x.xxxx [x,xxx] ± .0005 [.013]
 xx/xx ± 1/32
 x' ± 1"

UNIVERSITY OF ROCHESTER
 DEPT. OF PHYSICS AND ASTRONOMY
 SIDNEY W. BARNES RESEARCH LABORATORY

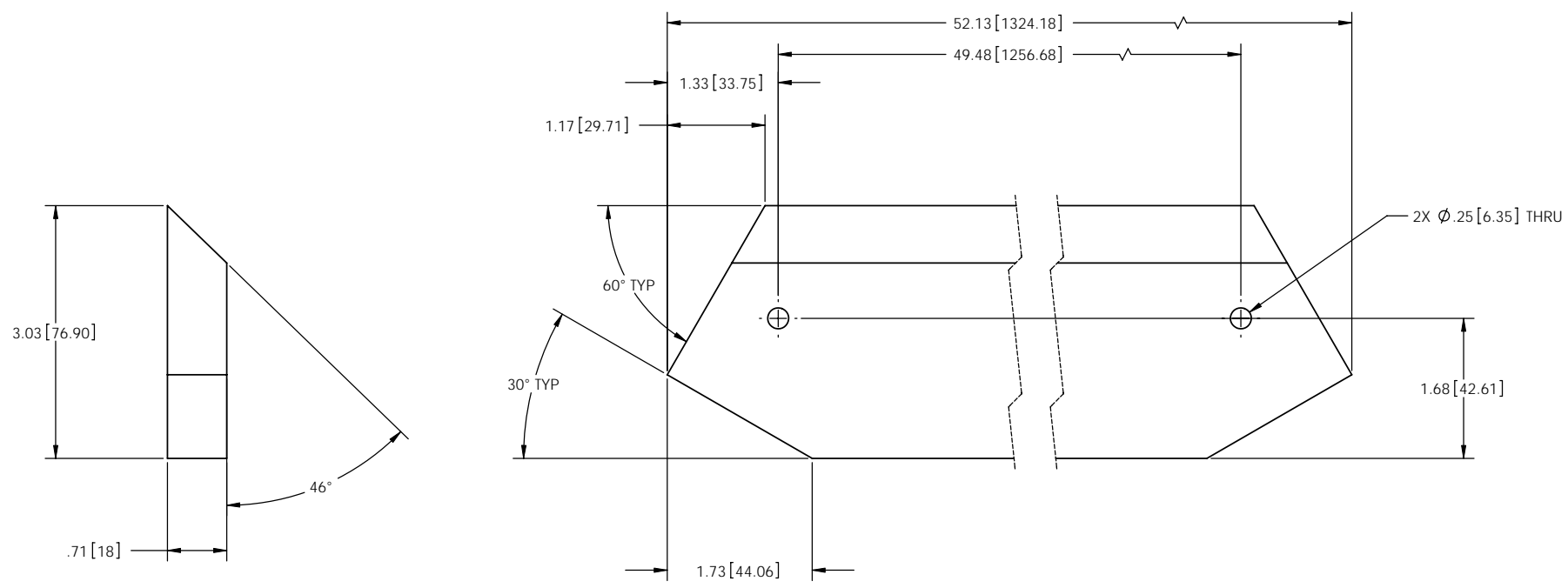
TITLE: V PLANE ASS'Y

THIRD ANGLE PROJECTION

DRAWN	RSF	DATE	2/15/07
CHECKED	RSF	DATE	2/15/07
APPROVED	RSF	DATE	2/15/07

SCALE: 1:1 SHEET: 13 OF 14

WEIGHT: 0.465 LBS FILE: 70009 V PLANE MODULE ASSY 127



SIDE SPACER BAR
QTY: 1 PER PLANE

NOTE: SIDE SPACER BARS ARE THE SAME FOR U, V, & X PLANES

NOTE: DO NOT SCALE DRAWING ! ALL TOLERANCES UNLESS OTHERWISE SPECIFIED ARE DIMENSIONS ARE IN: <input type="checkbox"/> INCHES [mm] <input type="checkbox"/> mm [IN] x.xx [x,x] ± .010 [.3] x.xxx [x,xx] ± .005 [.13] x.xxxx [x,xxx] ± .0005 [.013] xx/xx ± 1/32 x' ± 1"	UNIVERSITY OF ROCHESTER DEPT. OF PHYSICS AND ASTRONOMY SIDNEY W. BARNES RESEARCH LABORATORY		
	TITLE: V PLANE ASS'Y		
	THIRD ANGLE PROJECTION 	DRAWN: RSF CHECKED: RSF APPROVED: RSF	DATE 2/15/07 DATE 2/15/07 DATE 2/15/07
THIS IS THE PROPERTY OF THE UNIVERSITY OF ROCHESTER. ANY USE OR REPRODUCTION WITHOUT AUTHORIZATION BY THIS UNIVERSITY IS PROHIBITED.	DWG NO: 70009 SCALE: 1:1 SHEET: 14 OF 14	REV: —	WEIGHT: 2.551 LBS FILE: 70009 V PLANE MODULE ASSY 127