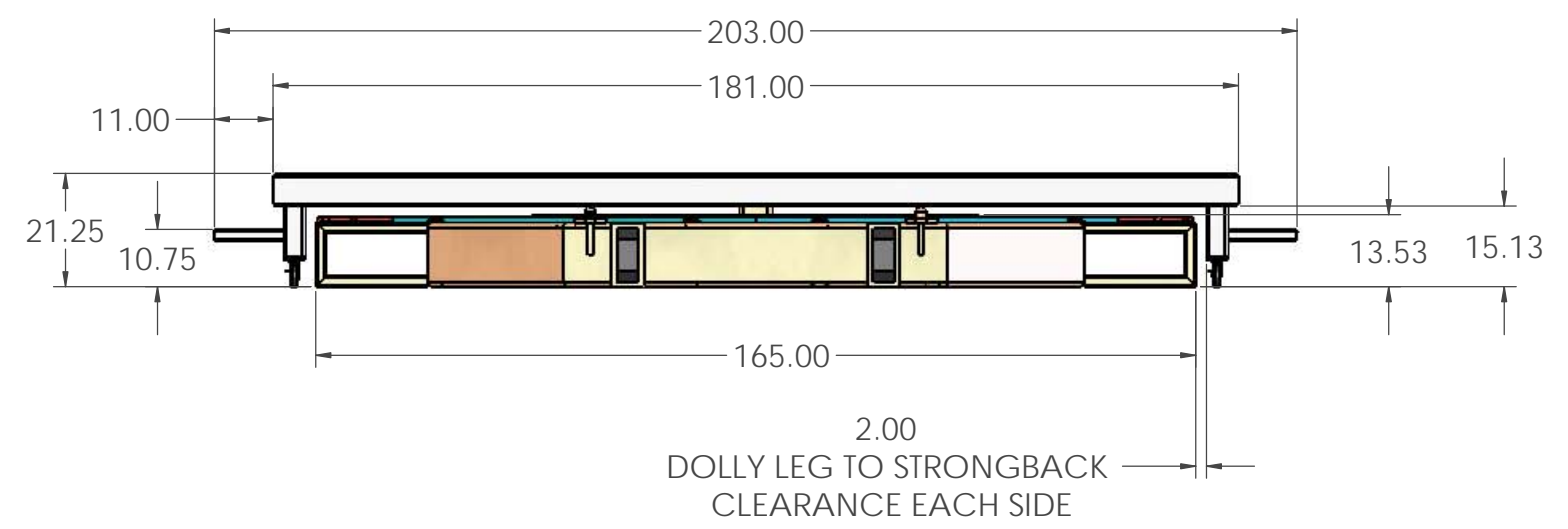
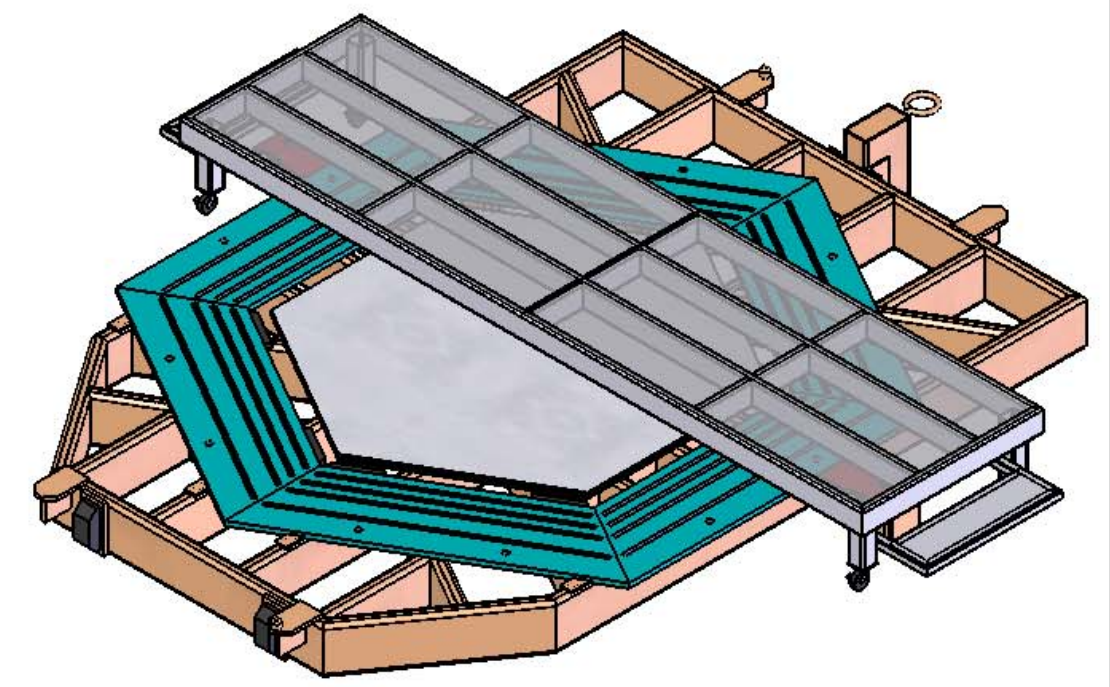
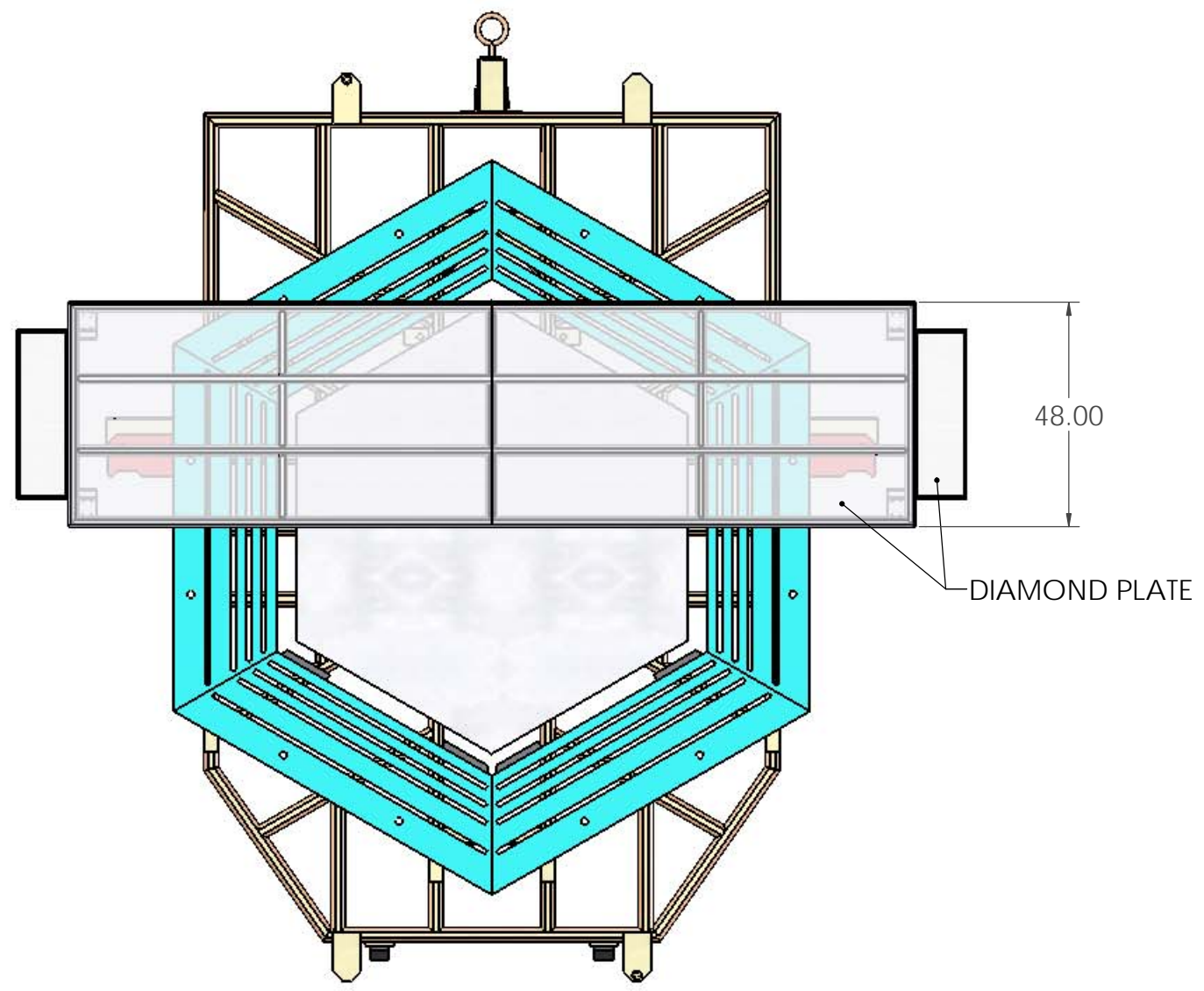


REVISIONS				
ZONE	REV	DESCRIPTION	DATE	APPRV
-	-	INITIAL ISSUE	-	-



BRIDGE DOLLY

NOTE: DO NOT SCALE DRAWING!
ALL TOLERANCES UNLESS OTHERWISE SPECIFIED ARE

DIMENSIONS ARE IN:
 ☒ INCHES [mm] ☐ mm [IN]
 x.xx [x.x] ± .010 [.3]
 x.xxx [x.xxx] ± .005 [.13]
 x.xxxx [x.xxxx] ± .0005 [.013]
 xx/xx ± 1/32
 x' ± 1"

UNIVERSITY OF ROCHESTER
DEPT. OF PHYSICS AND ASTRONOMY
SIDNEY W. BARNES RESEARCH LABORATORY

TITLE: MINERVA DETECTOR ASS'Y

THIRD ANGLE PROJECTION

DRAWN	RSF	DATE	-
CHECKED	RSF	DATE	-
APPROVED	RSF	DATE	-

THIS IS THE PROPERTY OF THE UNIVERSITY OF ROCHESTER. ANY USE OR REPRODUCTION WITHOUT AUTHORIZATION BY THIS UNIVERSITY IS PROHIBITED.

SIZE	DWG NO	REV
D	-	-
SCALE	1:18	SHEET 1 OF 2

WEIGHT: 7380 LBS

FILE: BRIDGE DOLLY LAYOUT

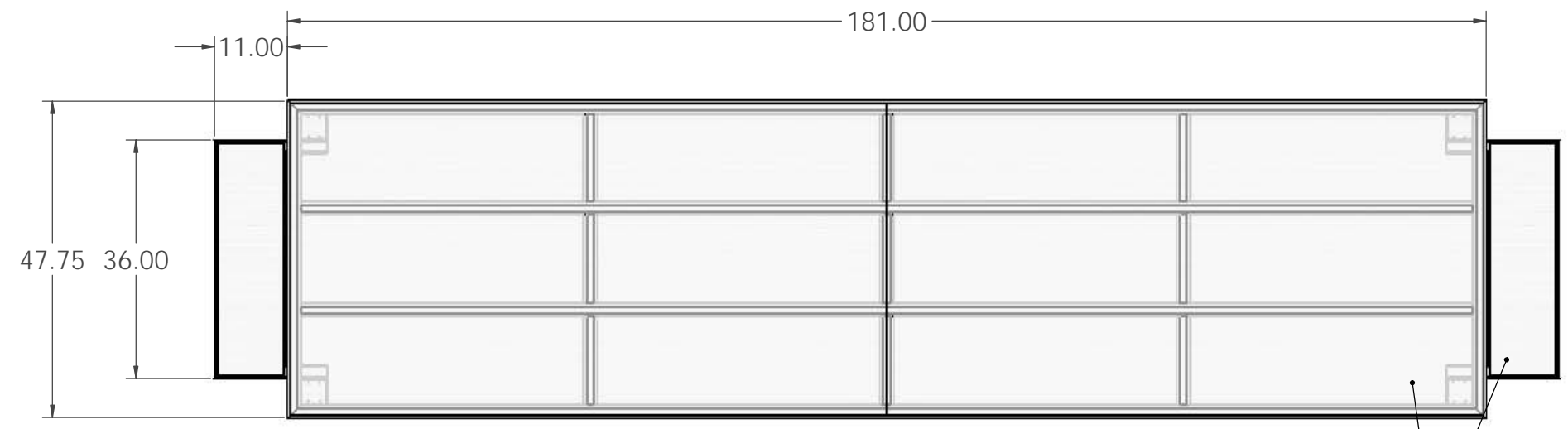
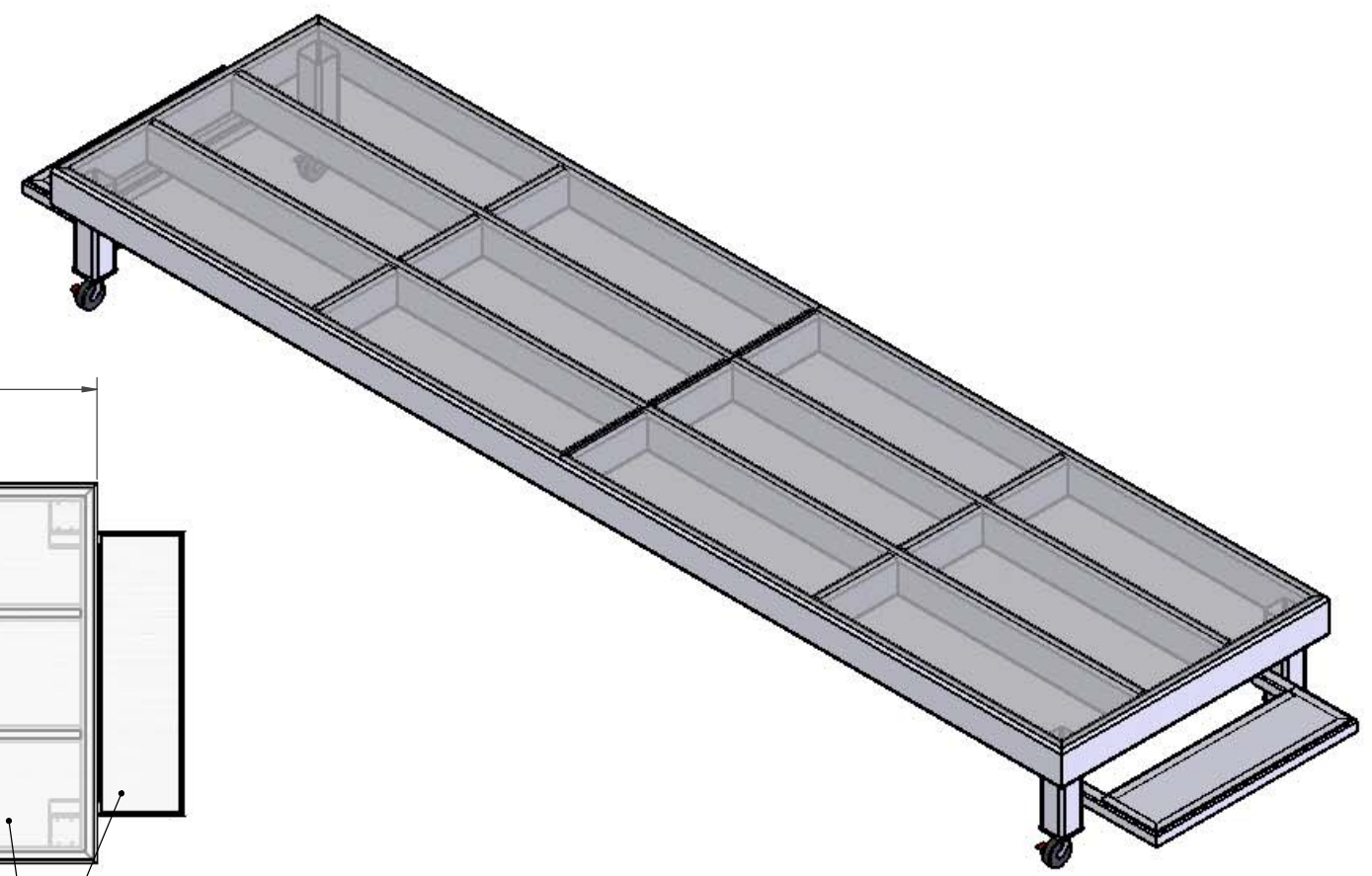
4

3

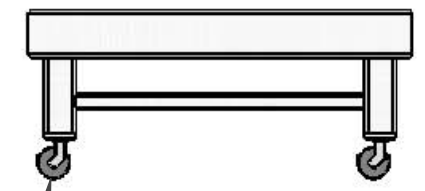
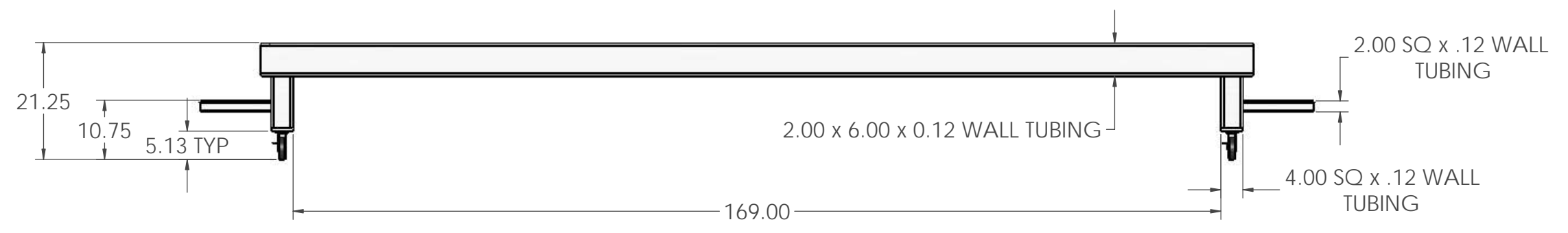
2

1

REVISIONS				
ZONE	REV	DESCRIPTION	DATE	APPRV
-	-	INITIAL ISSUE	-	-



.12 THK
DIAMOND PLATE



Ø4.00 CASTERS,
ALL WHEELS LOCKABLE

ALL WELDED ALUM
TUBING CONSTRUCTION
TOTAL WGT~350#

NOTE: DO NOT SCALE DRAWING!
ALL TOLERANCES UNLESS
OTHERWISE SPECIFIED ARE

DIMENSIONS ARE IN:
 INCHES [mm] mm [IN]
 x.xxx [x,x] ± .010 [.3]
 x.xxxx [x,xxx] ± .005 [.13]
 x.xxxxx [x,xxxx] ± .0005 [.013]
 xx/xx ± 1/32
 x' ± 1"

UNIVERSITY OF ROCHESTER
DEPT. OF PHYSICS AND ASTRONOMY
SIDNEY W. BARNES RESEARCH LABORATORY

TITLE: MINERVA DETECTOR ASS'Y

THIRD ANGLE PROJECTION

DRAWN	RSF	DATE	-
CHECKED	RSF	DATE	-
APPROVED	RSF	DATE	-

THIS IS THE PROPERTY OF THE UNIVERSITY OF ROCHESTER. ANY USE OR REPRODUCTION WITHOUT AUTHORIZATION BY THIS UNIVERSITY IS PROHIBITED.	SCALE	1:12	SHEET	2	OF	2	REV	-
--	-------	------	-------	---	----	---	-----	---

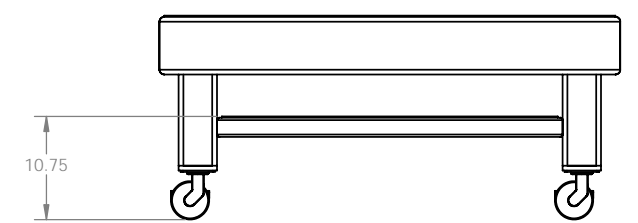
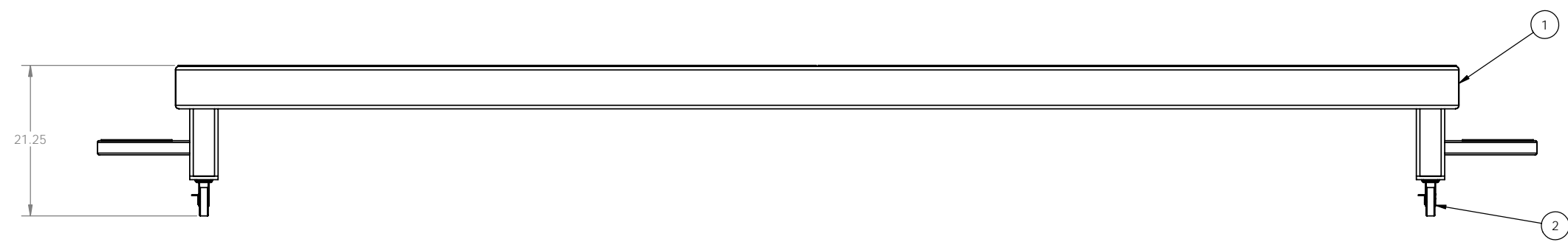
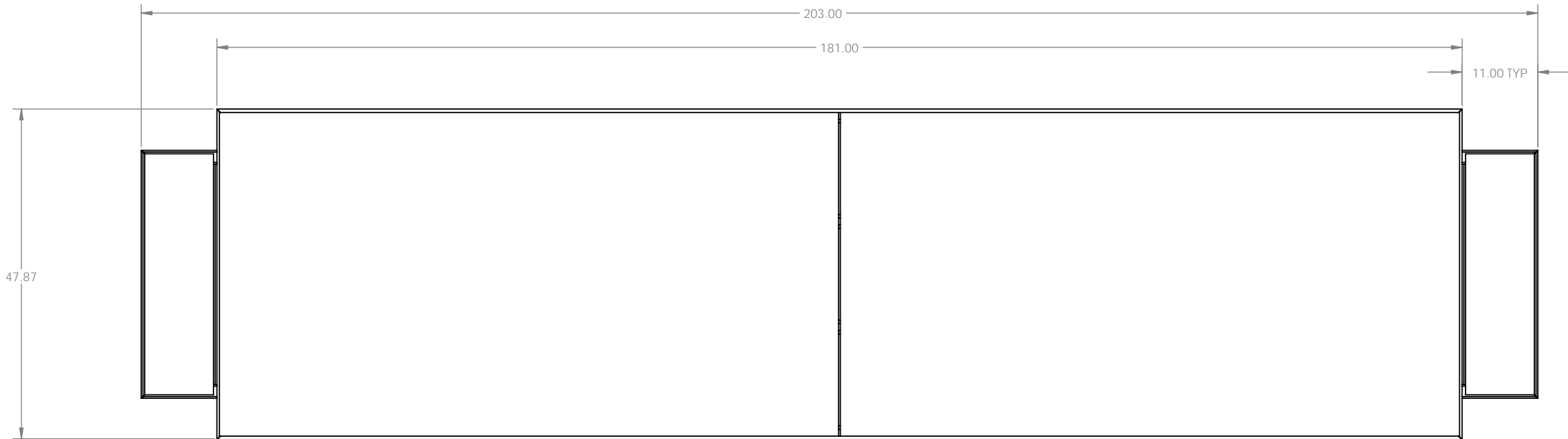
4

3

2

1

REVISIONS					
ZONE	REV	DESCRIPTION	DATE	APPRV	
-	-	INITIAL ISSUE	-	-	



Parts List							
ITEM NO.	QTY.	DET_SHT	PART NUMBER	DESCRIPTION	MATERIAL	SIZE	WEIGHT
1	1	2	BRIDGE DOLLY FRAME	FRAME WELDMENT	ALUM	-	308
2	4	-	CASTER 4 IN 1.25 TREAD - BRAKE SWIVEL	4" SWIVEL CASTER W/ BRAKE	MCMMASTER CARR	#2370T28	5.576

NOTE: DO NOT SCALE DRAWING !
ALL TOLERANCES UNLESS OTHERWISE SPECIFIED ARE

DIMENSIONS ARE IN:
 INCHES [mm] mm [IN]

x.xx [x,x] ± .010 [.3]
x.xxx [x,xx] ± .005 [.13]
x.xxxx [x,xxx] ± .0005 [.013]
xx/xx ± 1/32
x' ± 1"

UNIVERSITY OF ROCHESTER
DEPT. OF PHYSICS AND ASTRONOMY
SIDNEY W. BARNES RESEARCH LABORATORY

TITLE: BRIDGE DOLLY

THIRD ANGLE PROJECTION

DRAWN	RSF	DATE	-
CHECKED	RSF	DATE	-
APPROVED	RSF	DATE	-

THIS IS THE PROPERTY OF THE UNIVERSITY OF ROCHESTER. ANY USE OR REPRODUCTION WITHOUT AUTHORIZATION BY THIS UNIVERSITY IS PROHIBITED.

SCALE: 1:10 SHEET: 1 OF 3 WEIGHT: 330 LBS

FILE: BRIDGE DOLLY ASSY

4

3

2

1

B

B

A

A

4

3

2

1

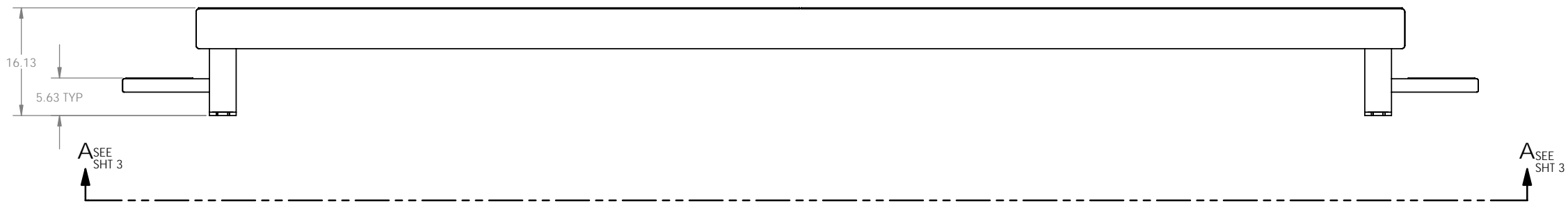
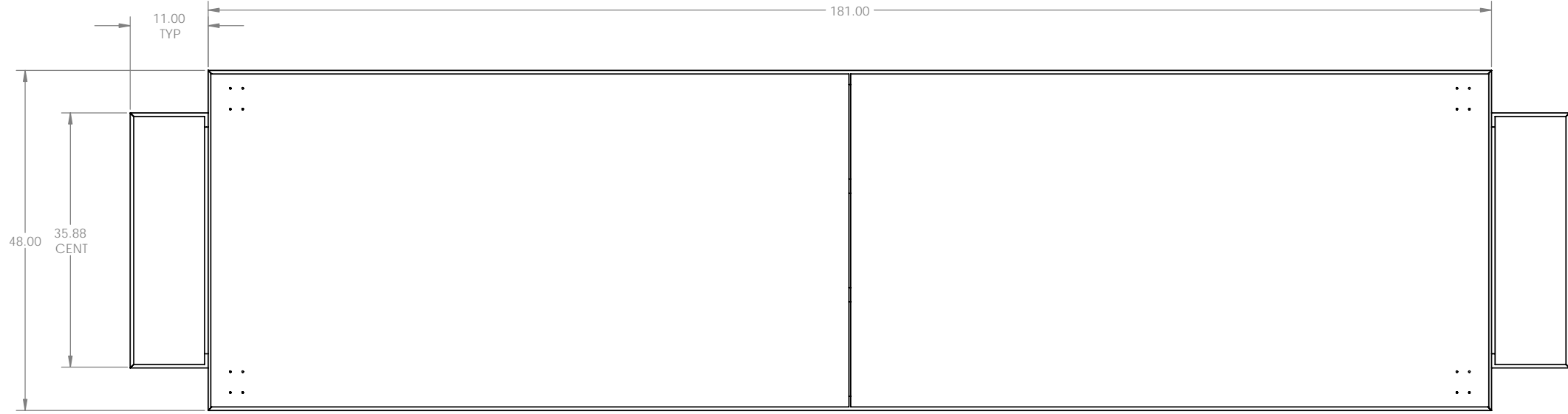
4

3

2

1

REVISIONS				
ZONE	REV	DESCRIPTION	DATE	APPRV
-	-	INITIAL ISSUE	-	-



PARTS LIST SHOWN ON SHT 3

NOTE: DO NOT SCALE DRAWING !
ALL TOLERANCES UNLESS OTHERWISE SPECIFIED ARE

DIMENSIONS ARE IN:
 INCHES [mm] mm [IN]

x.xx [x,x] ± .010 [.3]
x.xxx [x,xx] ± .005 [.13]
x.xxxx [x,xxx] ± .0005 [.013]
xx/xx ± 1/32
x' ± 1"

UNIVERSITY OF ROCHESTER
DEPT. OF PHYSICS AND ASTRONOMY
SIDNEY W. BARNES RESEARCH LABORATORY

TITLE: BRIDGE DOLLY

THIRD ANGLE PROJECTION

DRAWN	RSF	DATE	-
CHECKED	RSF	DATE	-
APPROVED	RSF	DATE	-

THIS IS THE PROPERTY OF THE UNIVERSITY OF ROCHESTER. ANY USE OR REPRODUCTION WITHOUT AUTHORIZATION BY THIS UNIVERSITY IS PROHIBITED.

SCALE: 1:10 SHEET: 2 OF 3

WEIGHT: 308 LBS FILE: BRIDGE DOLLY ASSY

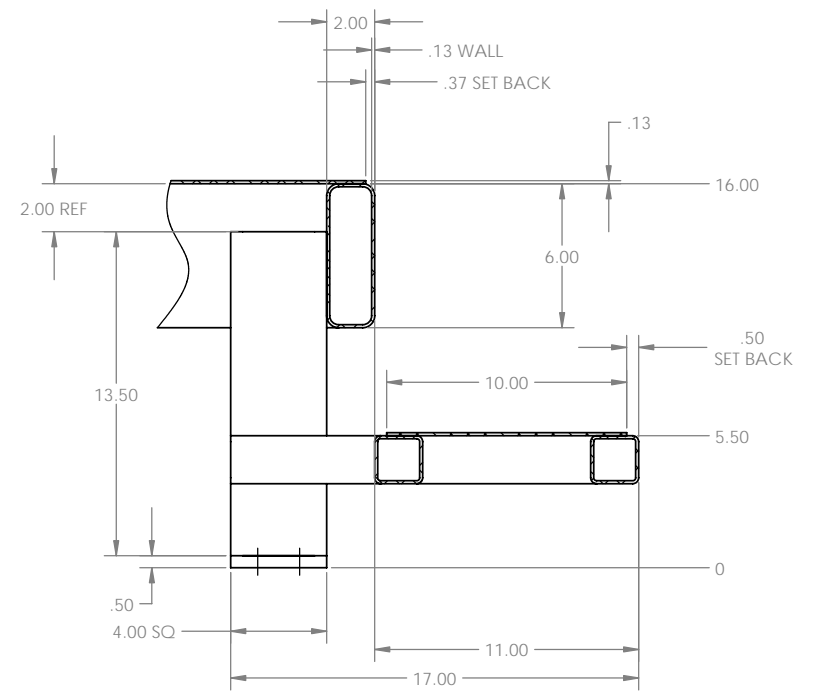
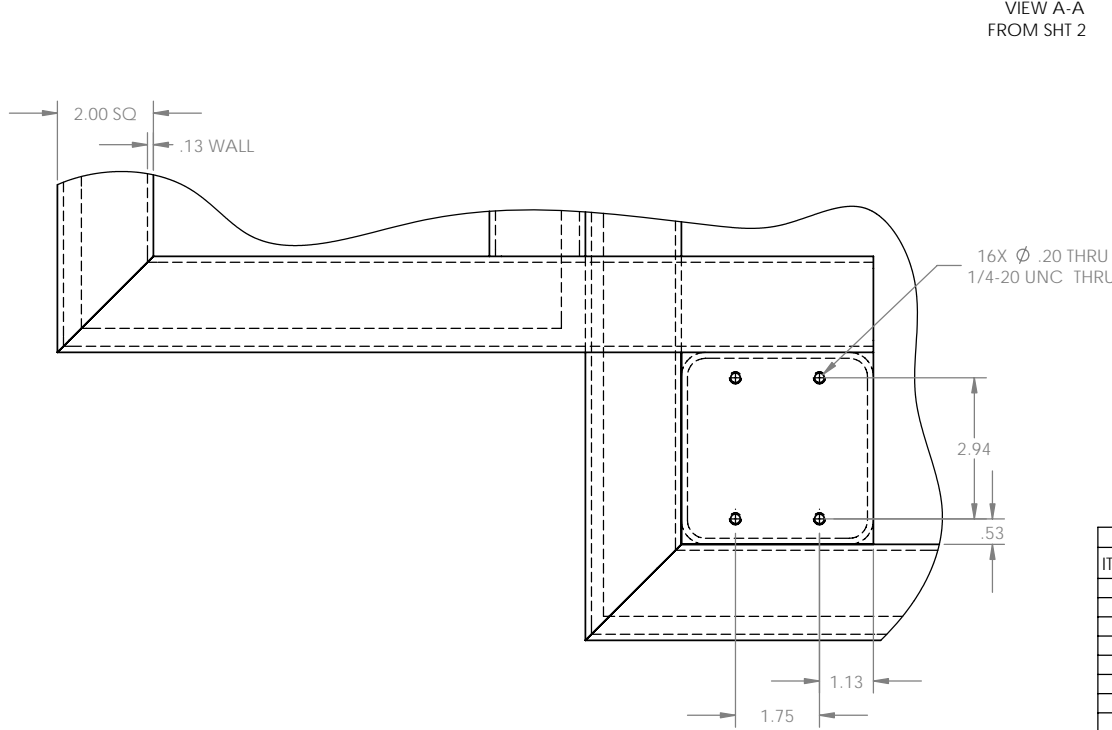
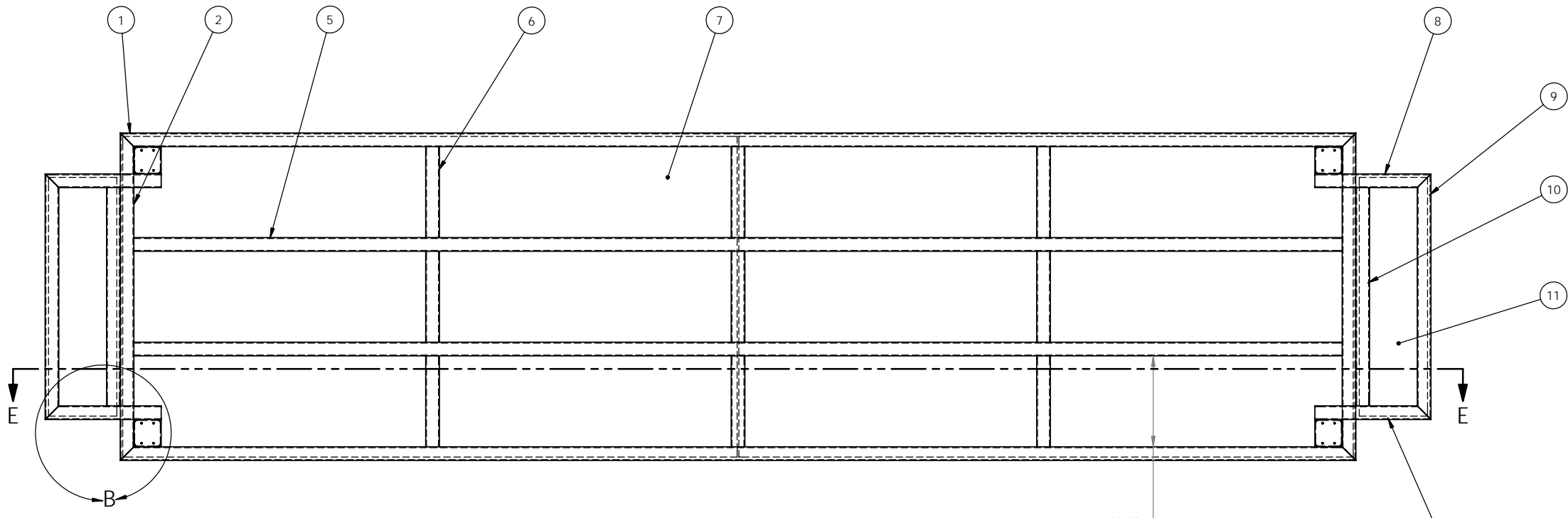
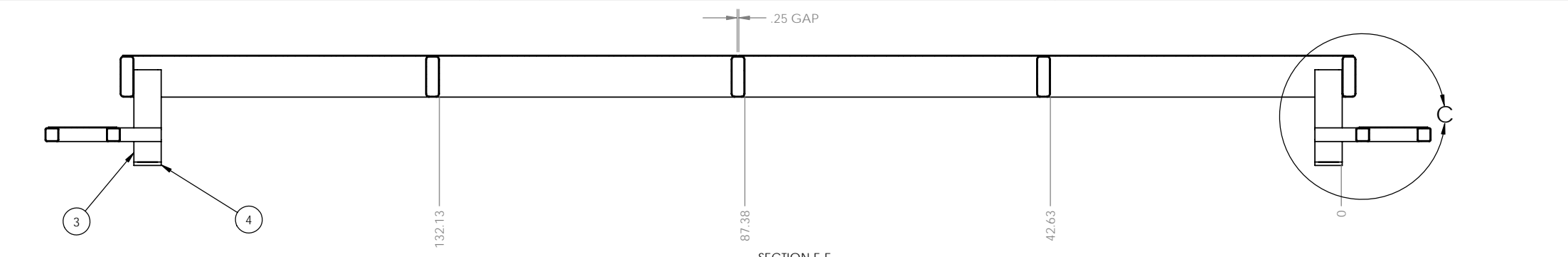
4

3

2

1

REVISIONS				
ZONE	REV	DESCRIPTION	DATE	APPRV
-	-	INITIAL ISSUE	-	-



WELDMENT CUT LIST					
ITEM NO.	QTY.	MATERIAL	DESCRIPTION	LENGTH	WEIGHT
1	2	ALUM	TUBE, RECTANGULAR 6.00 X 2.00 X .13	181	93
2	2	ALUM	TUBE, RECTANGULAR 6.00 X 2.00 X .13	48	24
3	4	ALUM	TUBE, RECTANGULAR 4.00 X 4.00 X .13	13.5	7
4	4	ALUM	CASTER MTG PLATE, 0.50 x 4.00	4.00	2
5	2	ALUM	TUBE, RECTANGULAR 6.00 X 2.00 X .13	177	92
6	9	ALUM	TUBE, RECTANGULAR 6.00 X 2.00 X .13	13.33	7
7	2	ALUM, DIAMOND PLATE	DECK, 0.13 x 47.00	90	149
8	4	ALUM	TUBE, SQUARE 2.00 X 2.00 X .13	17	4
9	2	ALUM	TUBE, SQUARE 2.00 X 2.00 X .13	36	9
10	2	ALUM	TUBE, SQUARE 2.00 X 2.00 X .13	32	8
11	2	ALUM, DIAMOND PLATE	STEP TREAD, 0.13 x 10.00	35	12

NOTE: DO NOT SCALE DRAWING!
 ALL TOLERANCES UNLESS OTHERWISE SPECIFIED ARE:
 DIMENSIONS ARE IN:
 ☐ INCHES [mm] □ mm [IN]
 x.xxx [x.x] ± .010 [.3]
 x.xxxx [x.xxx] ± .005 [.13]
 x.xxxxx [x.xxxx] ± .0005 [.013]
 xx/xx ± 1/32
 x' ± 1"

UNIVERSITY OF ROCHESTER
 DEPT. OF PHYSICS AND ASTRONOMY
 SIDNEY W. BARNES RESEARCH LABORATORY

TITLE: BRIDGE DOLLY

THIRD ANGLE PROJECTION

DRAWN	RSF	DATE	-
CHECKED	RSF	DATE	-
APPROVED	RSF	DATE	-