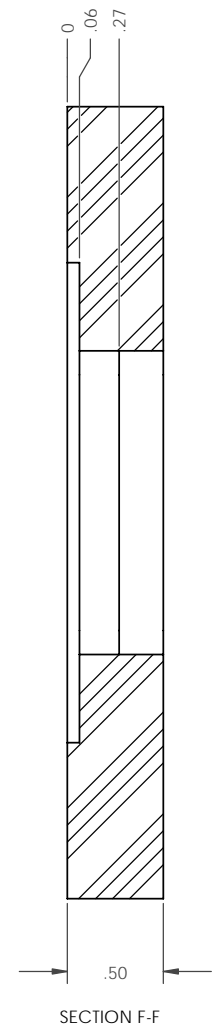
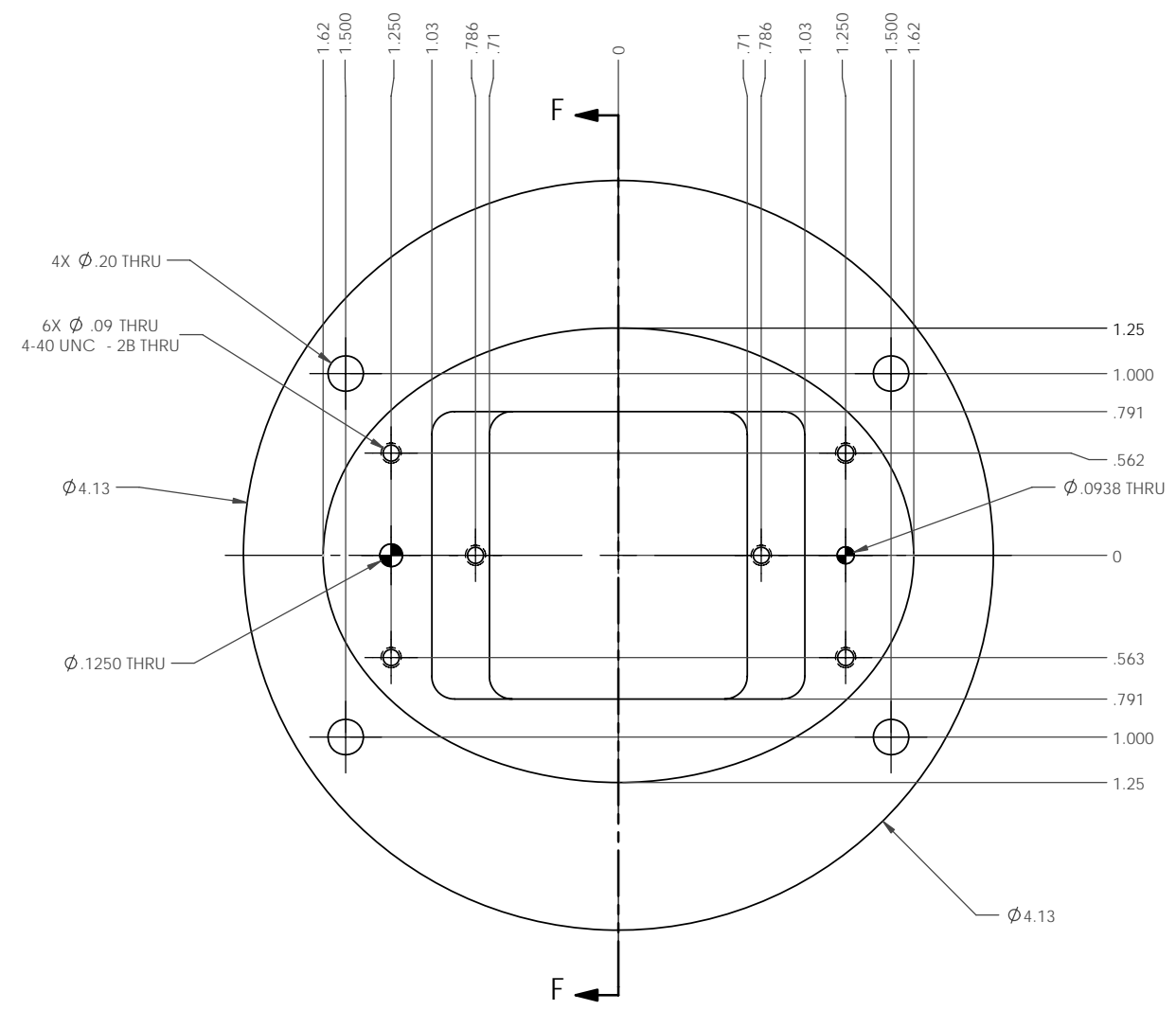


REVISIONS				
ZONE	REV	DESCRIPTION	DATE	APPRV
-	-	INITIAL ISSUE	-	-



5 NAME: COOKIE HOLDER
QTY: 1
MAT'L: NORYL, BLACK
HARD'N: -
FINISH: -
SIZE/TYPE: 4.13 DIA x .50 THK
WEIGHT: 0.254

NOTE: DO NOT SCALE DRAWING !
ALL TOLERANCES UNLESS OTHERWISE SPECIFIED ARE

DIMENSIONS ARE IN:
 INCHES [mm] mm [IN]

x.xx [x,x] ± .010 [.3]
x.xxx [x,xx] ± .005 [.13]
x.xxxx [x,xxx] ± .0005 [.013]
xx/xx ± 1/32
x' ± 1"

UNIVERSITY OF ROCHESTER
DEPT. OF PHYSICS AND ASTRONOMY
SIDNEY W. BARNES RESEARCH LABORATORY

TITLE: PMT BOX ASS'Y

THIRD ANGLE PROJECTION

DRAWN	RSF	DATE	-
CHECKED	RSF	DATE	-
APPROVED	RSF	DATE	-

THIS IS THE PROPERTY OF THE UNIVERSITY OF ROCHESTER. ANY USE OR REPRODUCTION WITHOUT AUTHORIZATION BY THIS UNIVERSITY IS PROHIBITED.

SCALE: 2:1 SHEET: 10 OF 13

WEIGHT: 0.254 LBS FILE: PMT_BOX_TUFTS