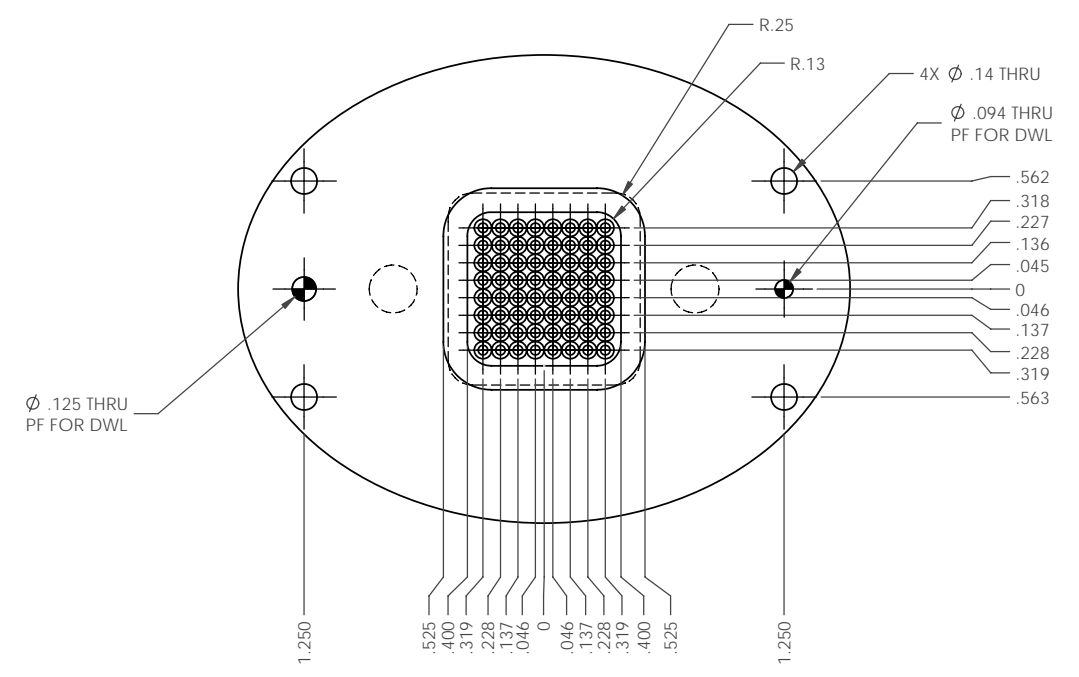
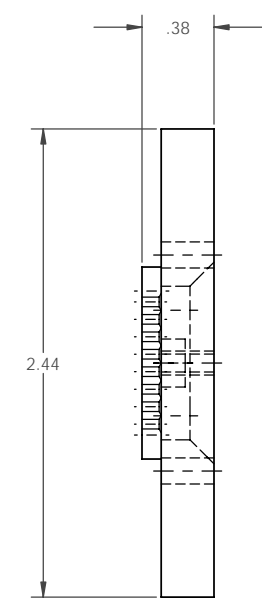
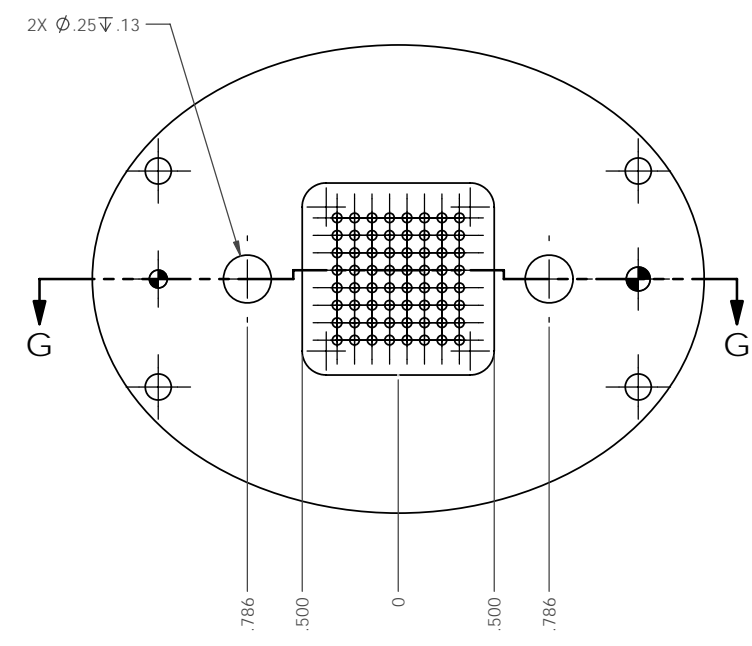
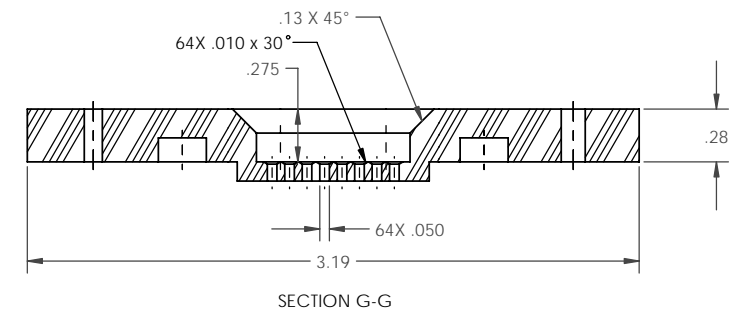


REVISIONS				
ZONE	REV	DESCRIPTION	DATE	APPRV
-	-	INITIAL ISSUE	-	-



4 NAME: COOKIE
 QTY: 1
 MAT'L: NORYL, BLACK
 HARD'N: -
 FINISH: -
 SIZE/TYPE: .38 x 2.44 x 3.19
 WEIGHT: 0.077

NOTE: DO NOT SCALE DRAWING!
 ALL TOLERANCES UNLESS OTHERWISE SPECIFIED ARE

DIMENSIONS ARE IN:
 INCHES [mm] mm [IN]

x.xx [x,x] ± .010 [.3]
 x.xxx [x,xx] ± .005 [.13]
 x.xxxx [x,xxx] ± .0005 [.013]
 xx/xx ± 1/32
 x' ± 1"

UNIVERSITY OF ROCHESTER
 DEPT. OF PHYSICS AND ASTRONOMY
 SIDNEY W. BARNES RESEARCH LABORATORY

TITLE: PMT BOX ASS'Y

THIRD ANGLE PROJECTION

DRAWN	RSF	DATE	-
CHECKED	RSF	DATE	-
APPROVED	RSF	DATE	-

THIS IS THE PROPERTY OF THE UNIVERSITY OF ROCHESTER. ANY USE OR REPRODUCTION WITHOUT AUTHORIZATION BY THIS UNIVERSITY IS PROHIBITED.

SCALE: 2:1 SHEET: 11 OF 13

WEIGHT: 0.077 LBS

1 FILE: PMT_BOX_TUFTS