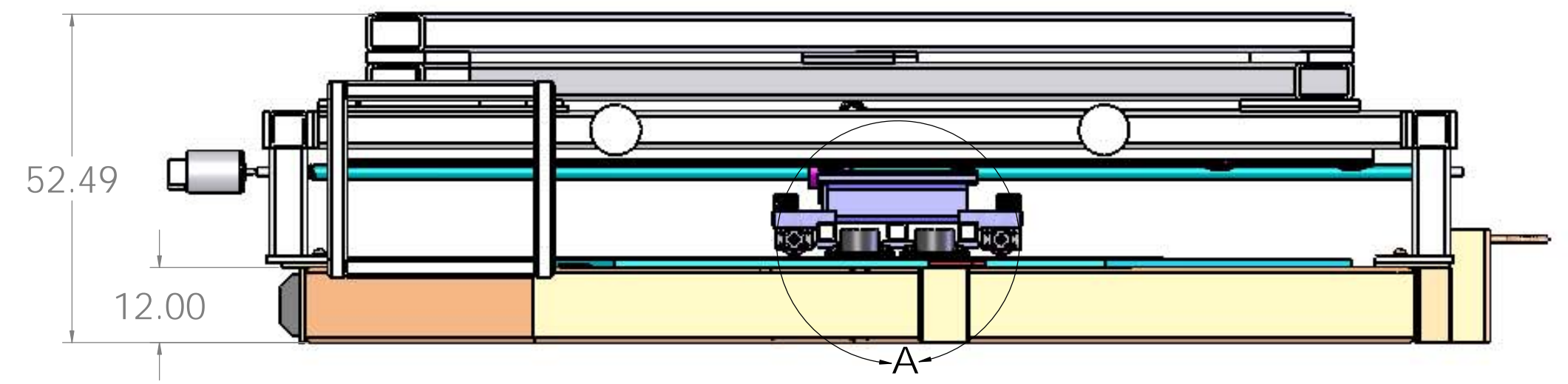
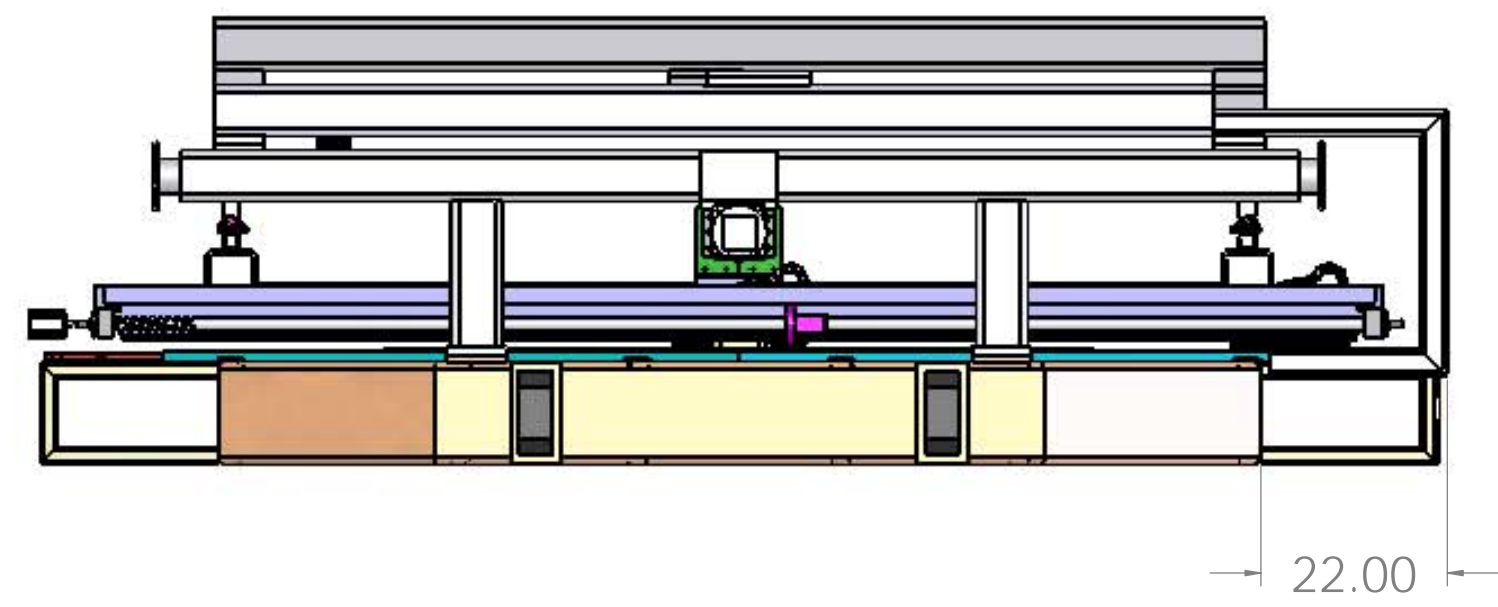
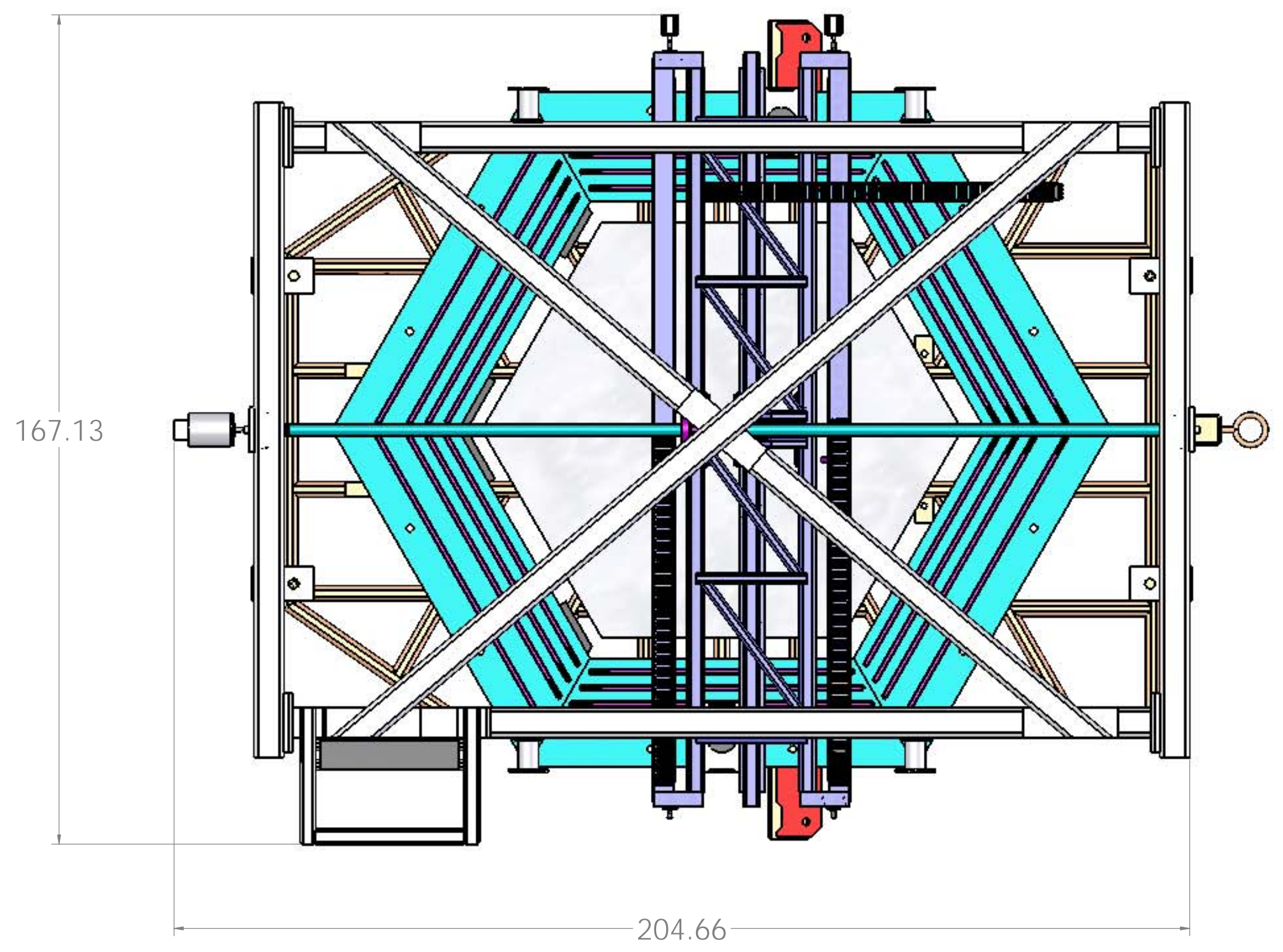
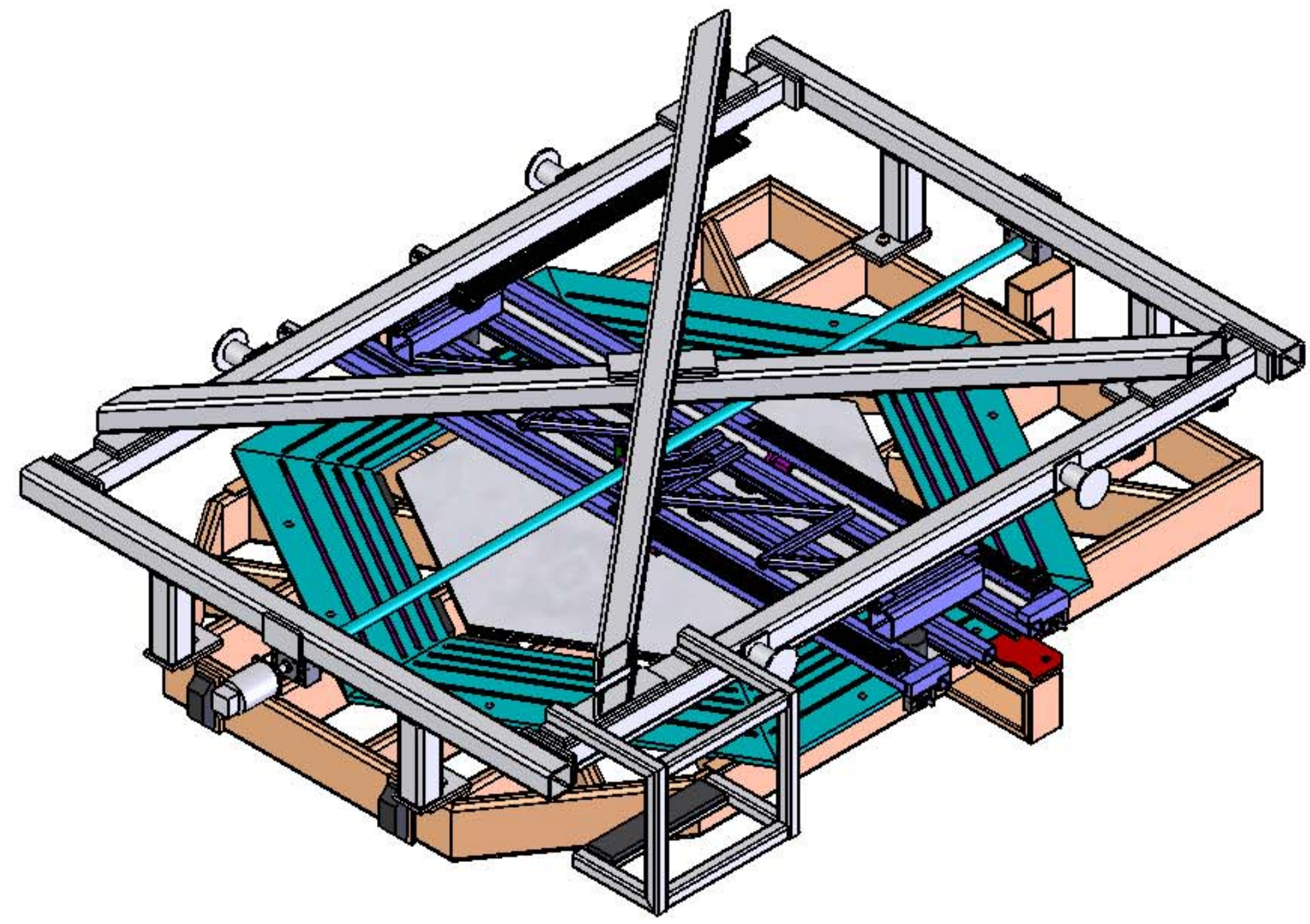


REVISES		DATE	APPRV
ZONE	REV	DESCRIPTION	
-	-	INITIAL ISSUE	-



NOTE: DO NOT SCALE DRAWING!  
ALL TOLERANCES UNLESS OTHERWISE SPECIFIED ARE:

DIMENSIONS ARE IN:  
 INCHES [mm] □ mm [IN]  
 .xxx [xxx] ± .010 [3]  
 .xxxx [xxx] ± .005 [13]  
 .xxxxx [xxx] ± .0005 [103]  
 n/n ± 1/32  
 ° ± 1°

UNIVERSITY OF ROCHESTER  
DEPT. OF PHYSICS AND ASTRONOMY  
SIDNEY W. BARNES RESEARCH LABORATORY

TITLE: MINERVA DETECTOR ASS'Y

DRAWN	RSF	DATE	-
CHECKED	RSF	DATE	-
APPROVED	RSF	DATE	-

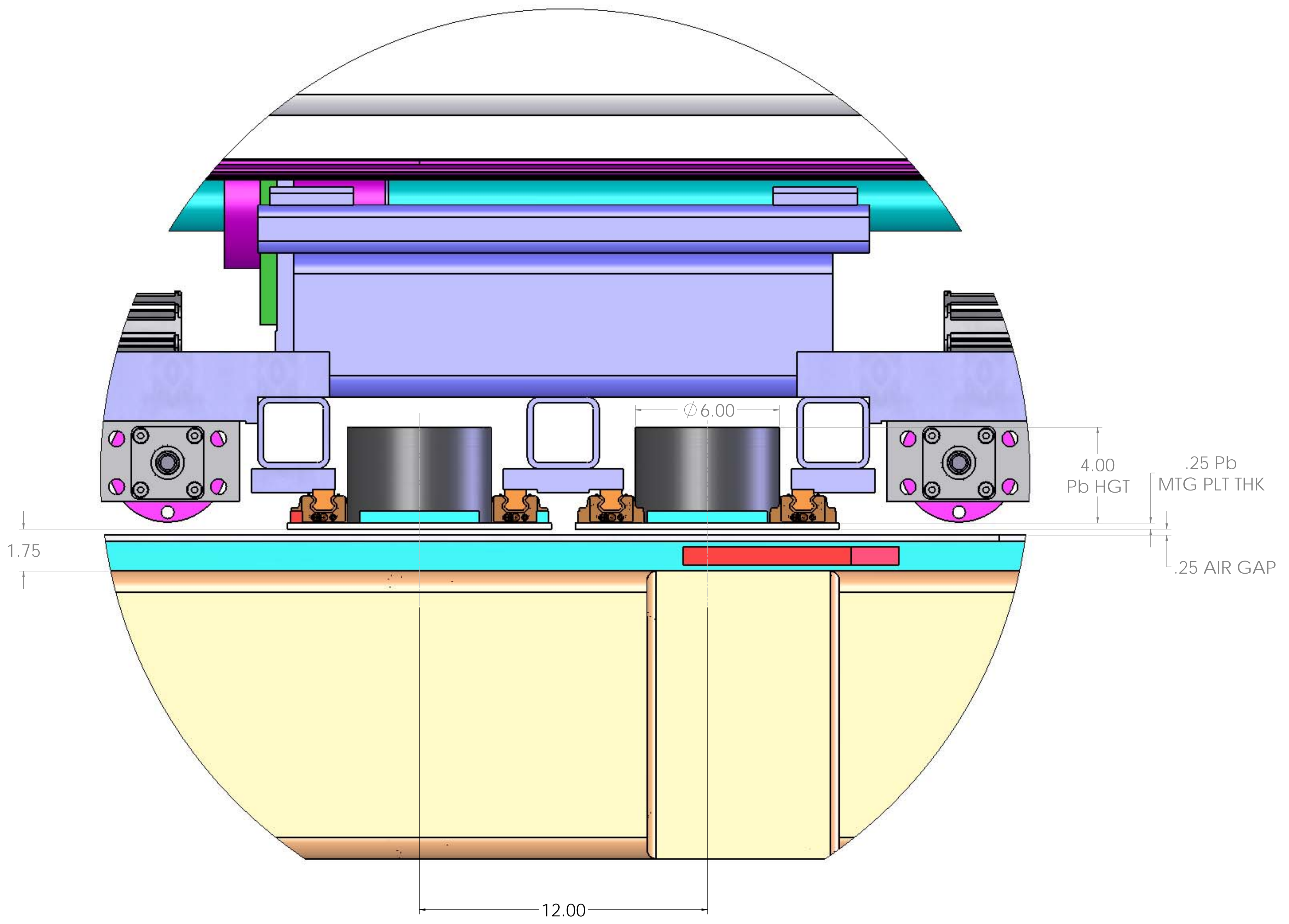
SCALE: 1:12 SHEET 1 OF 11

WEIGHT: 16780 LBS

FILE: MAPPER



1				
REVISIONS		DATE	APPRV	
ZONE	REV	DESCRIPTION		
-	-	INITIAL ISSUE	-	-



DETAIL A  
SCALE 1 : 1.5

NOTE: DO NOT SCALE DRAWING!  
ALL TOLERANCES UNLESS OTHERWISE SPECIFIED ARE:

DIMENSIONS ARE IN:  
 INCHES [mm]    mm [IN]  
 .xxx [xxx]    ± .010 [3]  
 .xxxx [xxx]    ± .005 [13]  
 .xxxxx [xxx]    ± .0005 [D13]  
 n/xx    ± 1/32  
 °    ± 1°

UNIVERSITY OF ROCHESTER  
DEPT. OF PHYSICS AND ASTRONOMY  
SIDNEY W. BARNES RESEARCH LABORATORY

TITLE: MINERVA DETECTOR ASS'Y

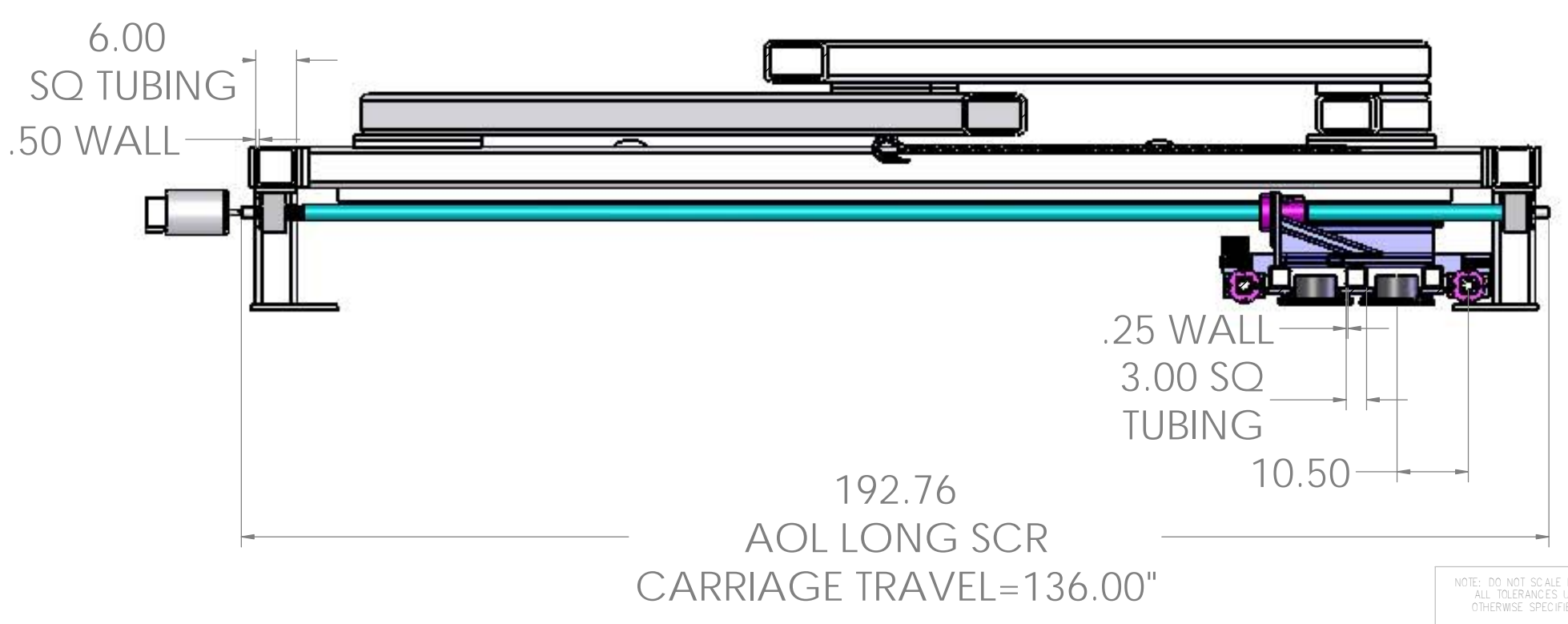
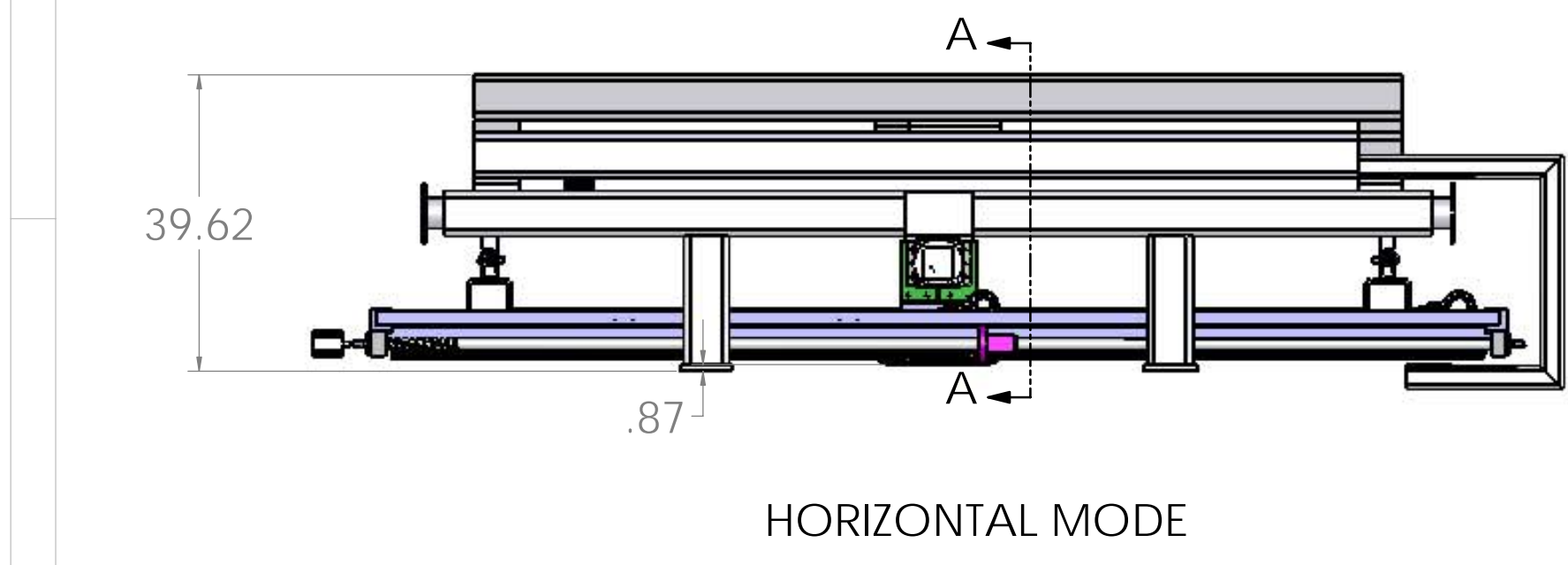
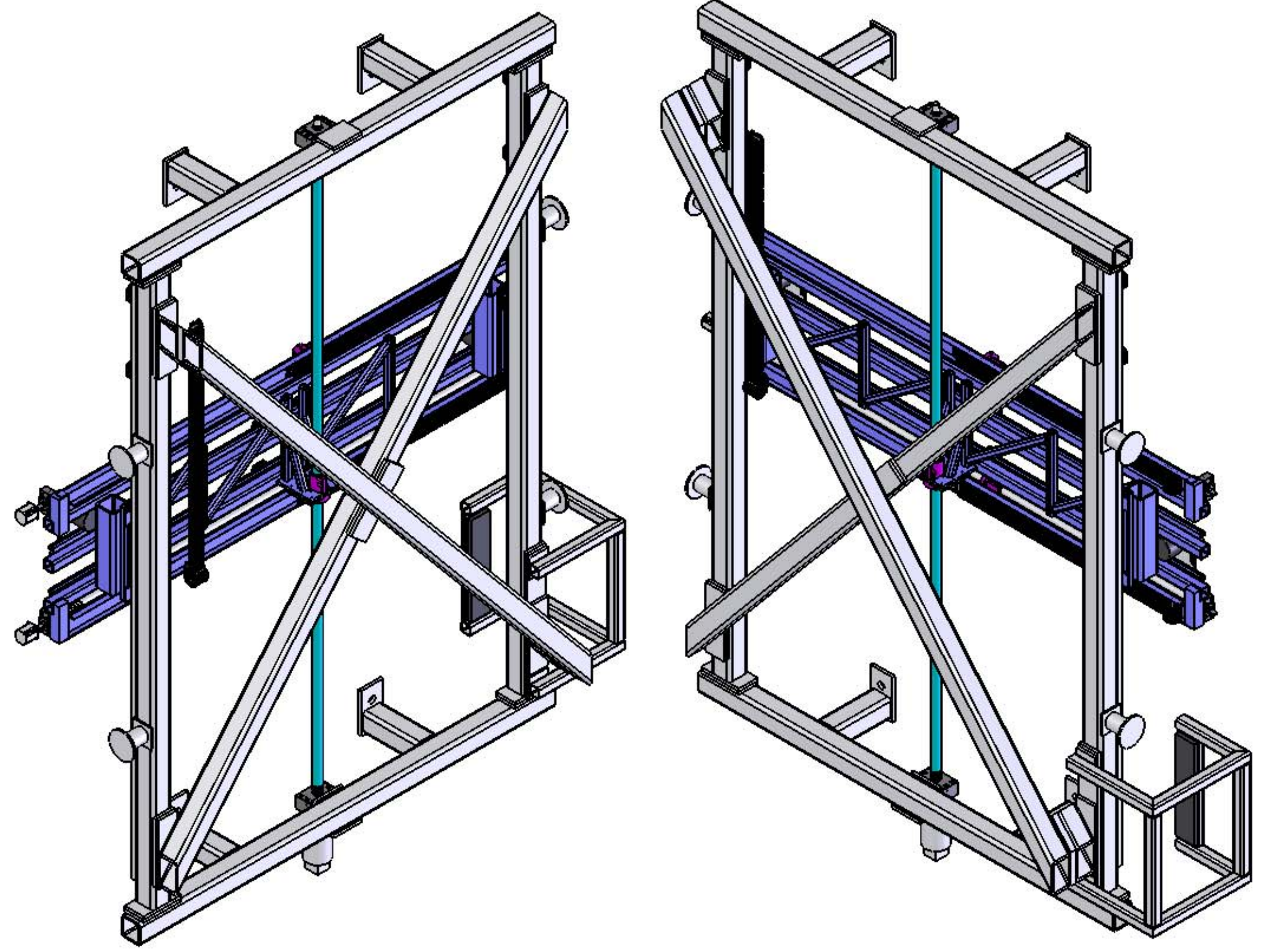
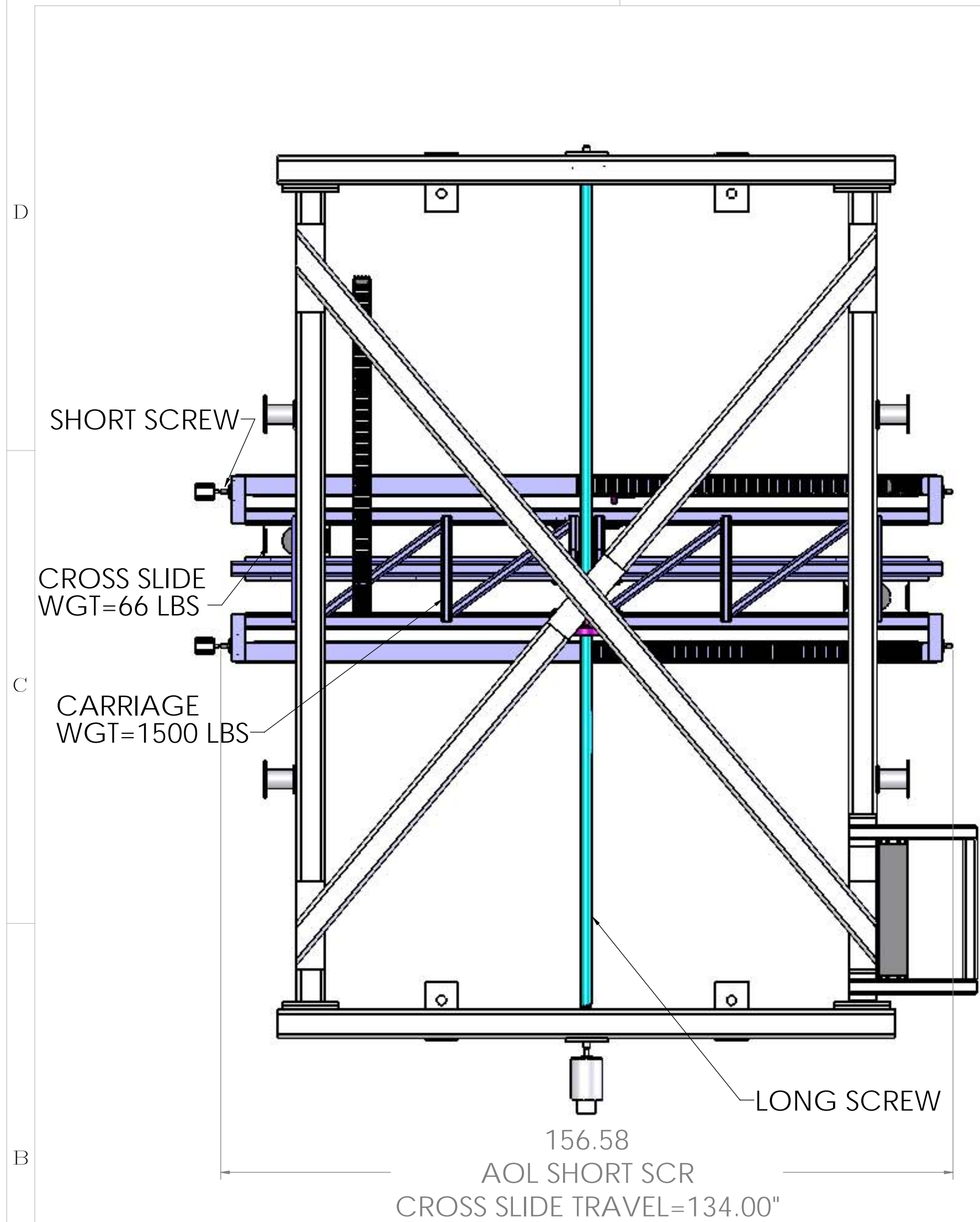
THIRD ANGLE PROJECTION	DRAWN: RSF	DATE: -
	CHECKED: RSF	DATE: -
	APPROVED: RSF	DATE: -

SCALE: 1:1.2    SHEET: 2 OF 11    FILE: MAPPER

WEIGHT: 16780 LBS    1



1		REVISIONS		DATE		APPRV	
ZONE	REV	DESCRIPTION	INITIAL	ISSUE			
-	-						



NOTE: DO NOT SCALE DRAWING!  
ALL TOLERANCES UNLESS OTHERWISE SPECIFIED ARE:  
DIMENSIONS ARE IN:  
INCHES [mm] □ mm [IN]

XXX [x.x]	± .010 [3]
XXX [x.xx]	± .005 [13]
XXXX [x.xxx]	± .0005 [0.13]
in/xin	± 1/32
°	± 1°

UNIVERSITY OF ROCHESTER  
DEPT. OF PHYSICS AND ASTRONOMY  
SIDNEY W. BARNES RESEARCH LABORATORY

TITLE: MINERVA DETECTOR ASS'Y

DRAWN	RSF	DATE	-
CHECKED	RSF	DATE	-
APPROVED	RSF	DATE	-

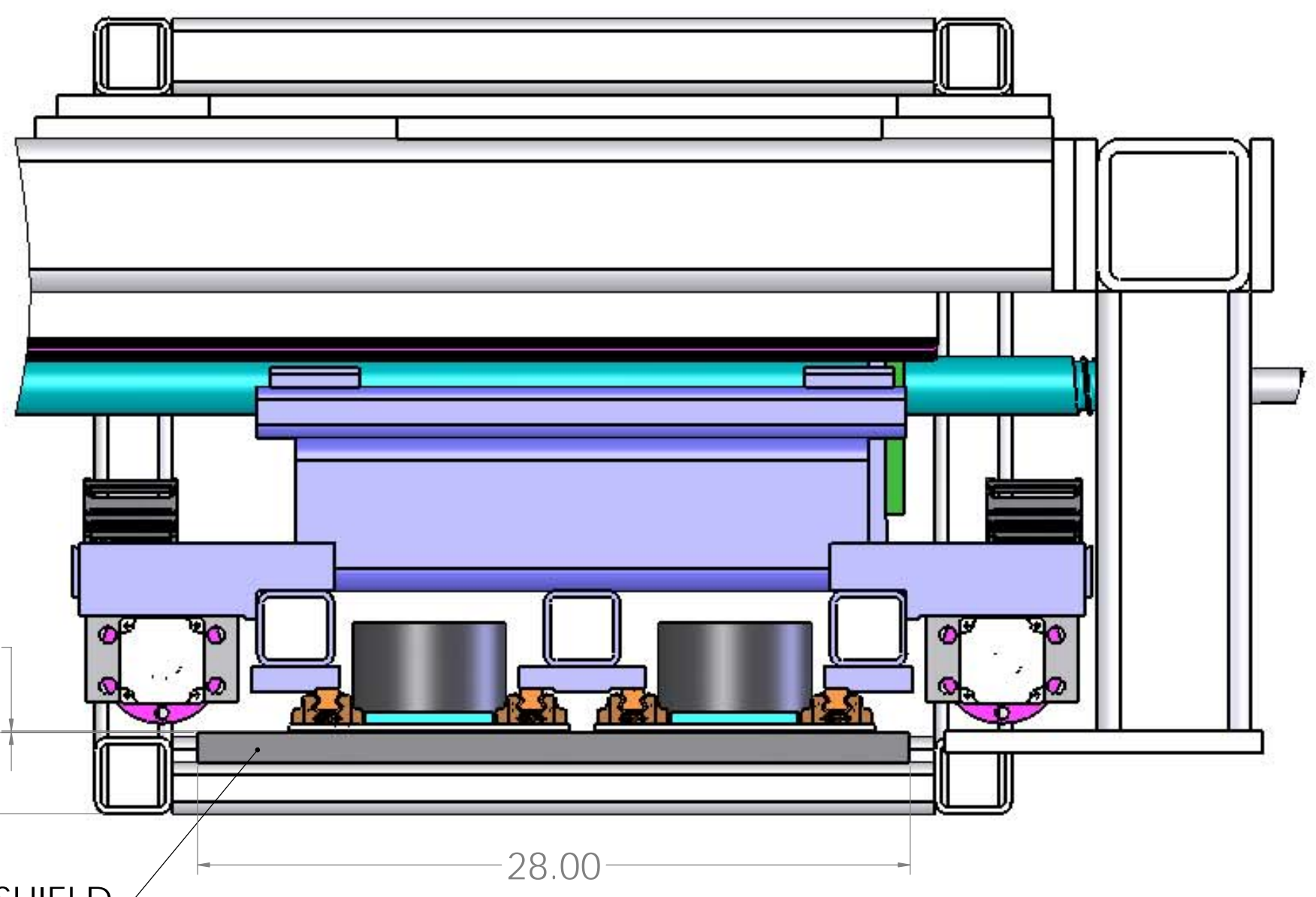
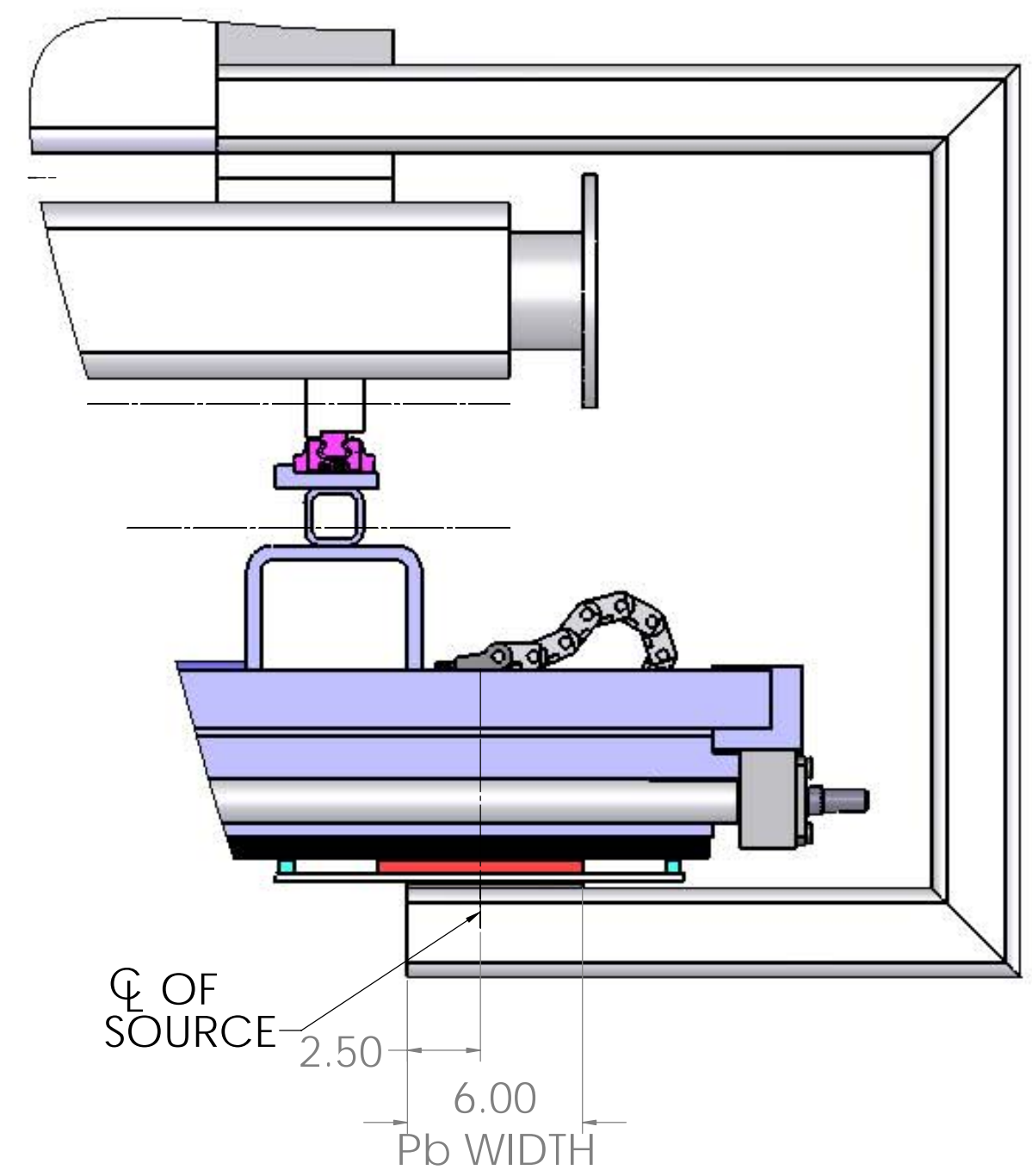
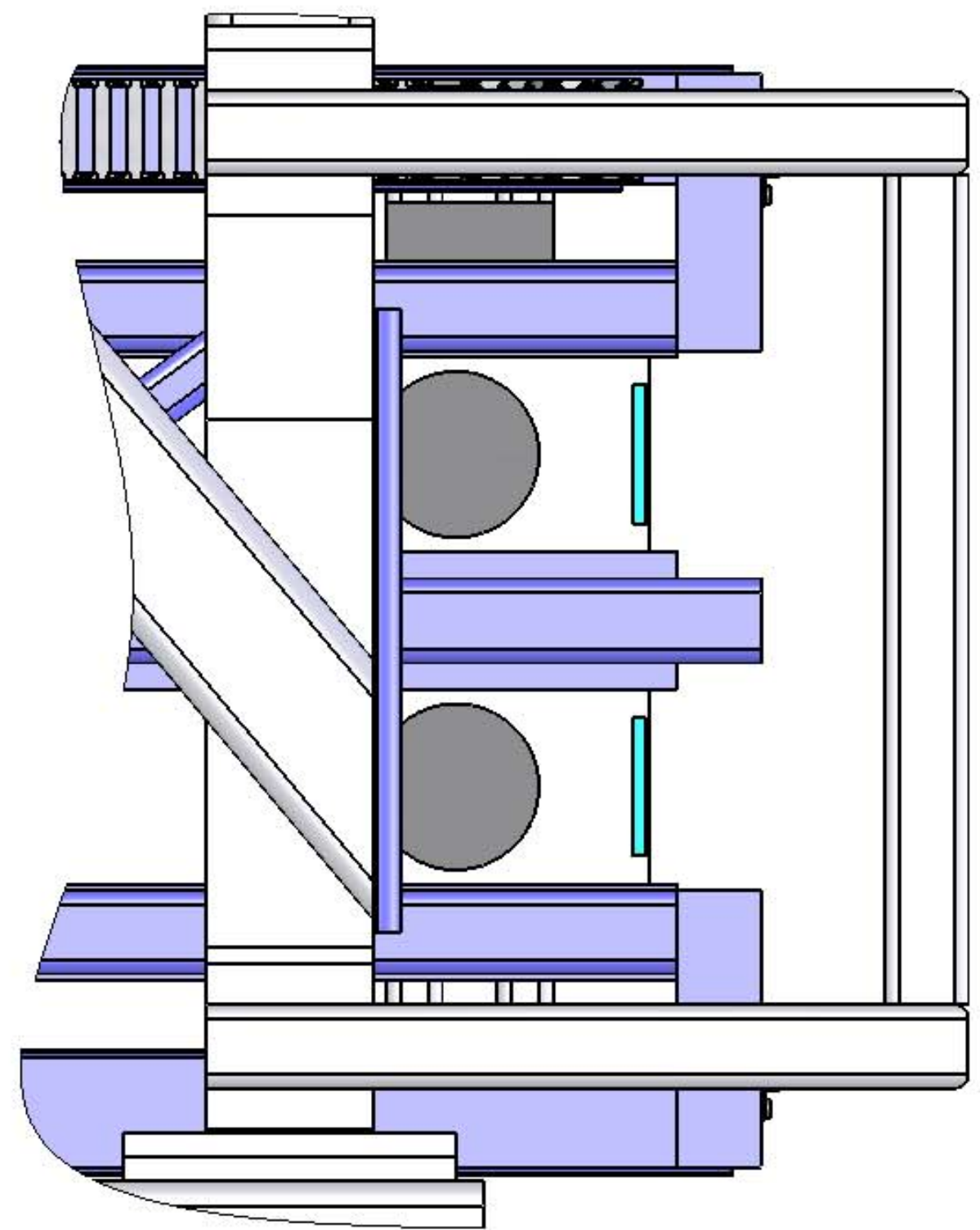
SCALE: 1:12 SHEET 3 OF 11

WEIGHT: 9625 LBS

FILE: MAPPER



1				
REVISIONS		DATE	APPRV	
ZONE	REV	DESCRIPTION		
-	-	INITIAL ISSUE	-	-



Pb SHIELDING AT PARK LOCATION

NOTE: DO NOT SCALE DRAWING!  
 ALL TOLERANCES UNLESS OTHERWISE SPECIFIED ARE:  
 DIMENSIONS ARE IN:  
 INCHES [mm] □ mm [IN]  
 X.XX [X.X] ± .010 [3]  
 X.XXX [X.XXX] ± .005 [1.3]  
 X.XXXX [X.XXXX] ± .0005 [0.13]  
 X"/X" ± 1/32  
 ° ± 1°

UNIVERSITY OF ROCHESTER  
 DEPT. OF PHYSICS AND ASTRONOMY  
 SIDNEY W. BARNES RESEARCH LABORATORY

TITLE: MINERVA DETECTOR ASS'Y

THIRD ANGLE PROJECTION	DRAWN: RSF	DATE: -
	CHECKED: RSF	DATE: -
	APPROVED: RSF	DATE: -

THIS IS THE PROPERTY OF THE UNIVERSITY OF ROCHESTER AND USE OR REPRODUCTION WITHOUT AUTHORIZATION BY THIS UNIVERSITY IS PROHIBITED.

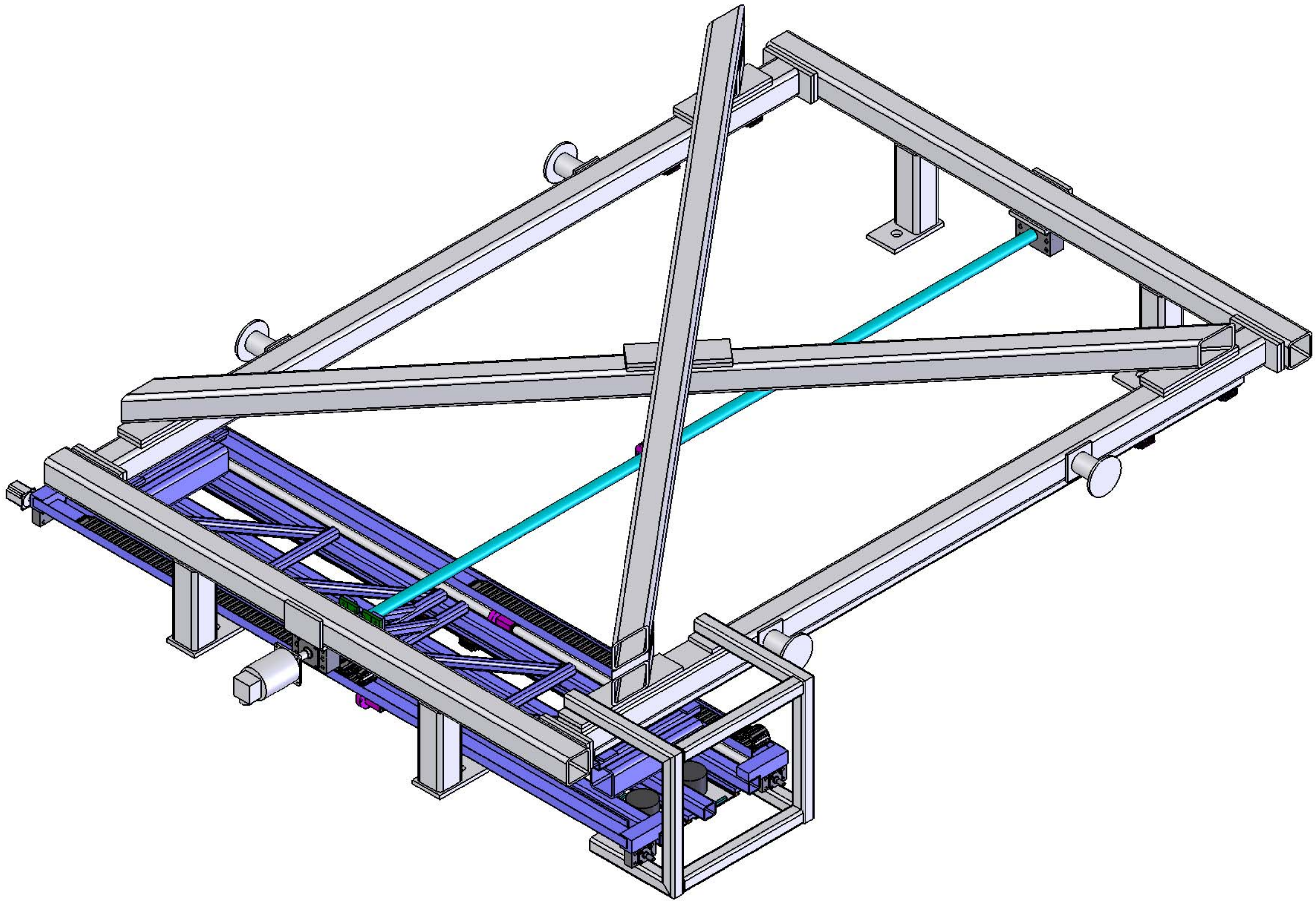
SCALE: 1:1 SHEET 5 OF 11

WEIGHT: 9625 LBS

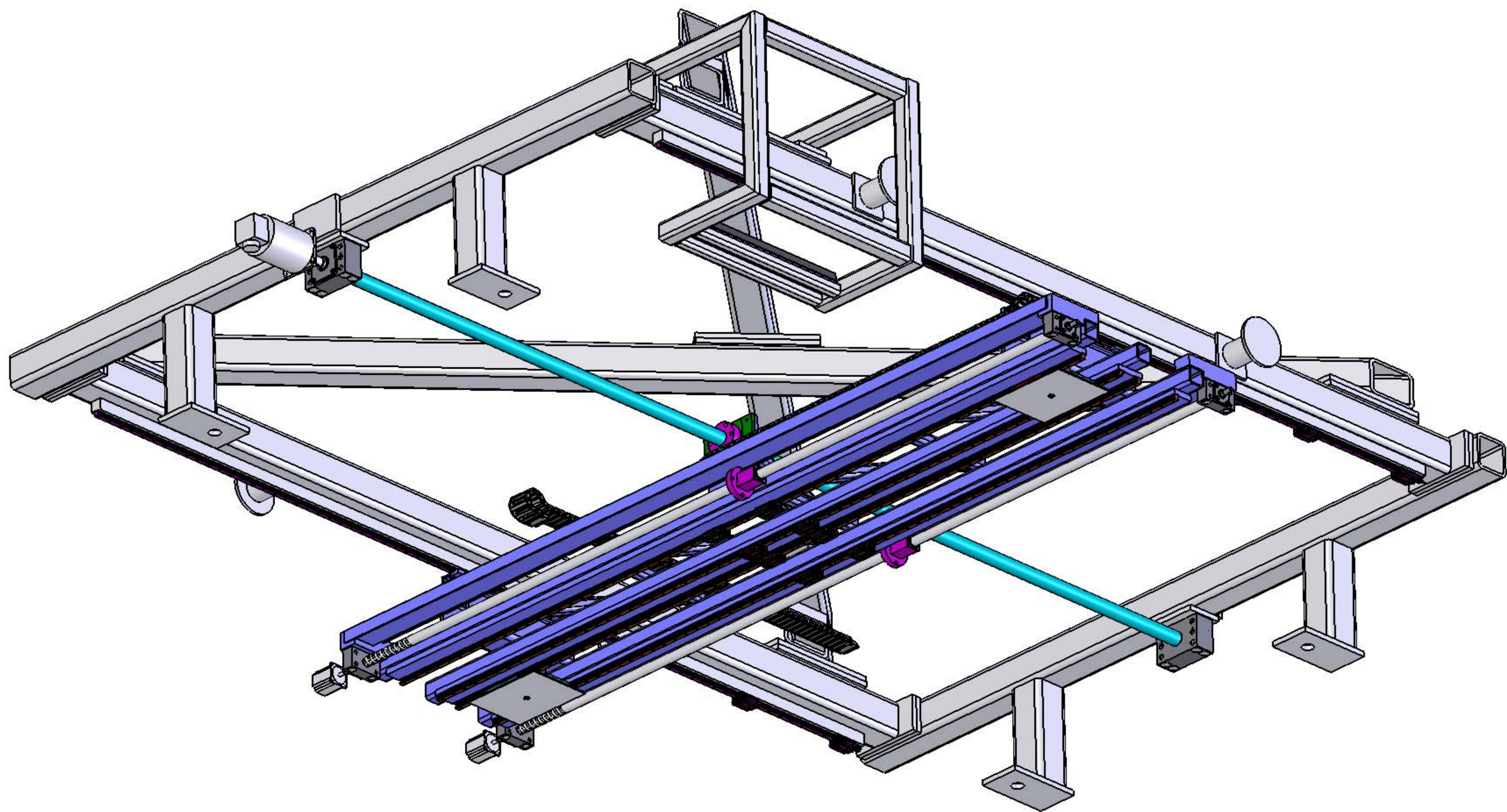
1

FILE: MAPPER



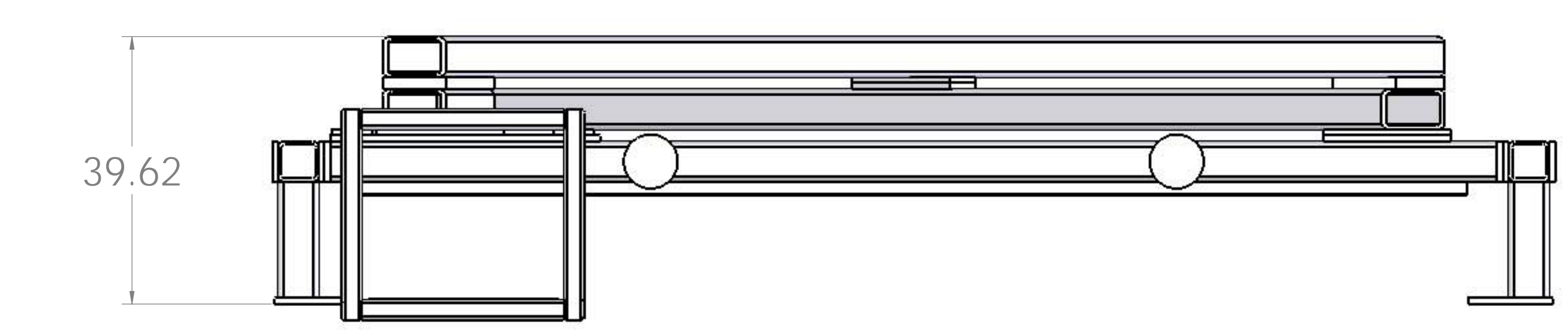
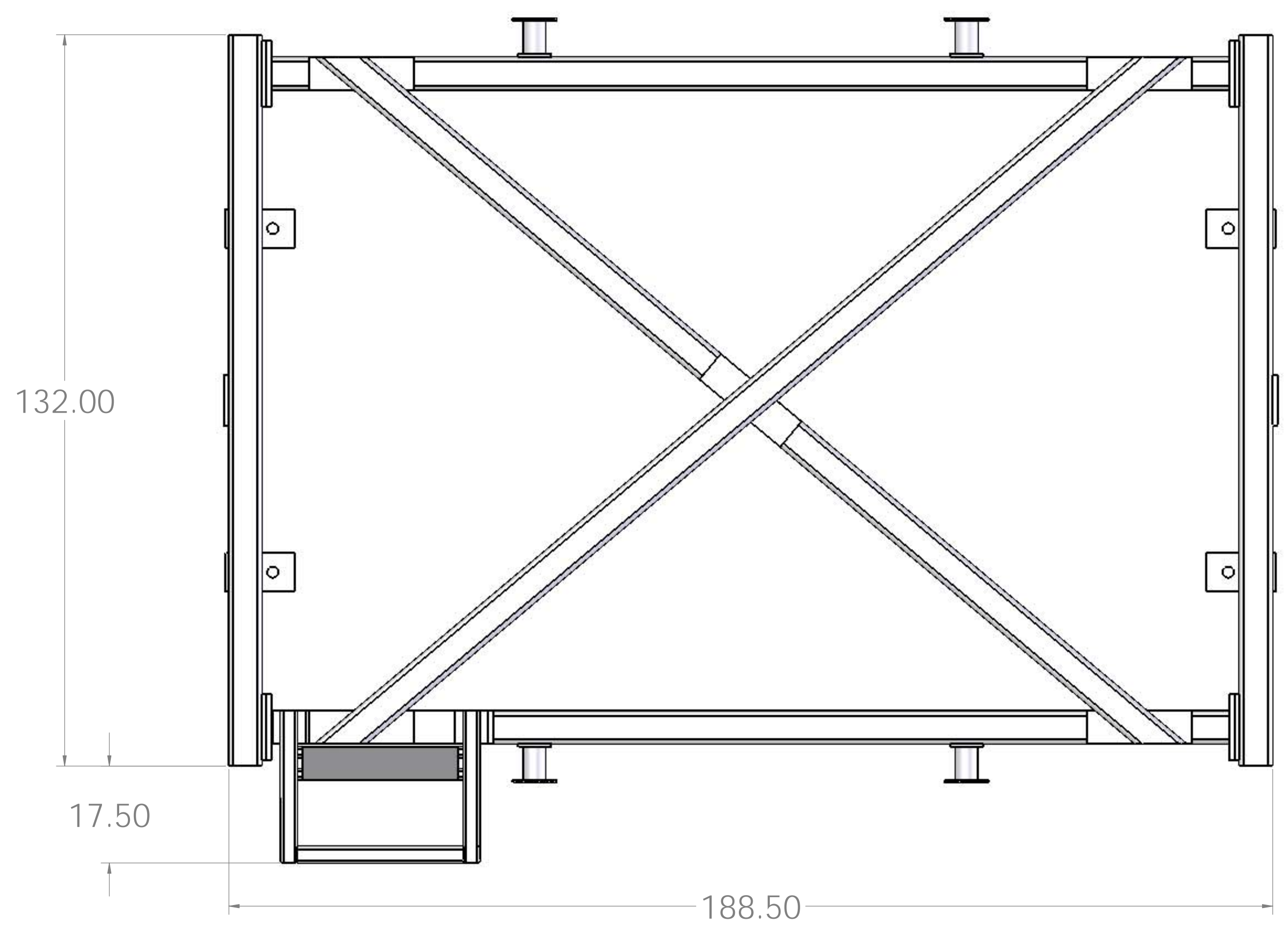








REVISIONS				
ZONE	REV	DESCRIPTION	DATE	APPRV
-	-	INITIAL ISSUE	-	-



NOTE: DO NOT SCALE DRAWING!  
 ALL TOLERANCES UNLESS OTHERWISE SPECIFIED ARE:  
 DIMENSIONS ARE IN:  
 ☒ INCHES [mm]    ☐ mm [IN]  
 x.xx [x,x]    ± .010 [.3]  
 x.xxx [x,xxx]    ± .005 [.13]  
 x.xxxx [x,xxxx]    ± .0005 [.013]  
 xx/xx    ± 1/32  
 x"    ± 1"

UNIVERSITY OF ROCHESTER  
 DEPT. OF PHYSICS AND ASTRONOMY  
 SIDNEY W. BARNES RESEARCH LABORATORY

TITLE: MINERVA DETECTOR ASS'Y

THIRD ANGLE PROJECTION	DRAWN: RSF	DATE: -
	CHECKED: RSF	DATE: -
	APPROVED: RSF	DATE: -

THIS IS THE PROPERTY OF THE UNIVERSITY OF ROCHESTER. ANY USE OR REPRODUCTION WITHOUT AUTHORIZATION BY THIS UNIVERSITY IS PROHIBITED.

SIZE: DWG NO	D	REV	-
SCALE: 1:12	SHEET: 8	OF: 11	FILE: MAPPER

WEIGHT: 4596 LBS      1

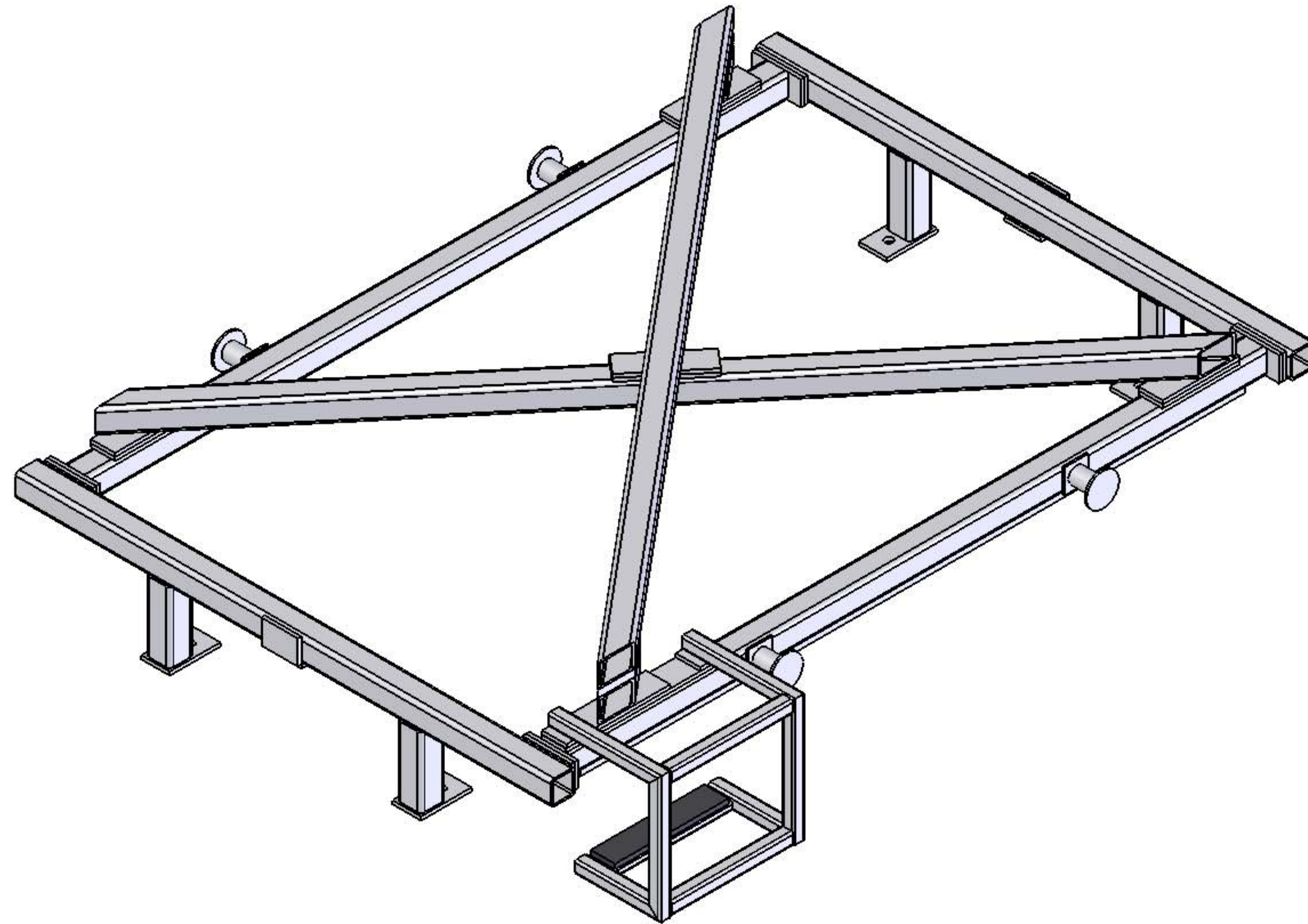
4

3

2

1

REVISIONS				
ZONE	REV	DESCRIPTION	DATE	APPRV
-	-	INITIAL ISSUE	-	-



NOTE: DO NOT SCALE DRAWING !  
ALL TOLERANCES UNLESS OTHERWISE SPECIFIED ARE

DIMENSIONS ARE IN:  
 INCHES [mm]    mm [IN]

x.xx [x,x]   ± .010 [.3]  
x.xxx [x,xx]   ± .005 [.13]  
x.xxxx [x,xxx]   ± .0005 [.013]  
xx/xx   ± 1/32  
x"   ± .1"

UNIVERSITY OF ROCHESTER  
DEPT. OF PHYSICS AND ASTRONOMY  
SIDNEY W. BARNES RESEARCH LABORATORY

TITLE: MINERVA DETECTOR ASS'Y

THIRD ANGLE PROJECTION

DRAWN	RSF	DATE	-
CHECKED	RSF	DATE	-
APPROVED	RSF	DATE	-

THIS IS THE PROPERTY OF THE UNIVERSITY OF ROCHESTER. ANY USE OR REPRODUCTION WITHOUT AUTHORIZATION BY THIS UNIVERSITY IS PROHIBITED.

SCALE 1:12 SHEET 9 OF 11

WEIGHT: 4596 LBS

1

FILE: MAPPER

4

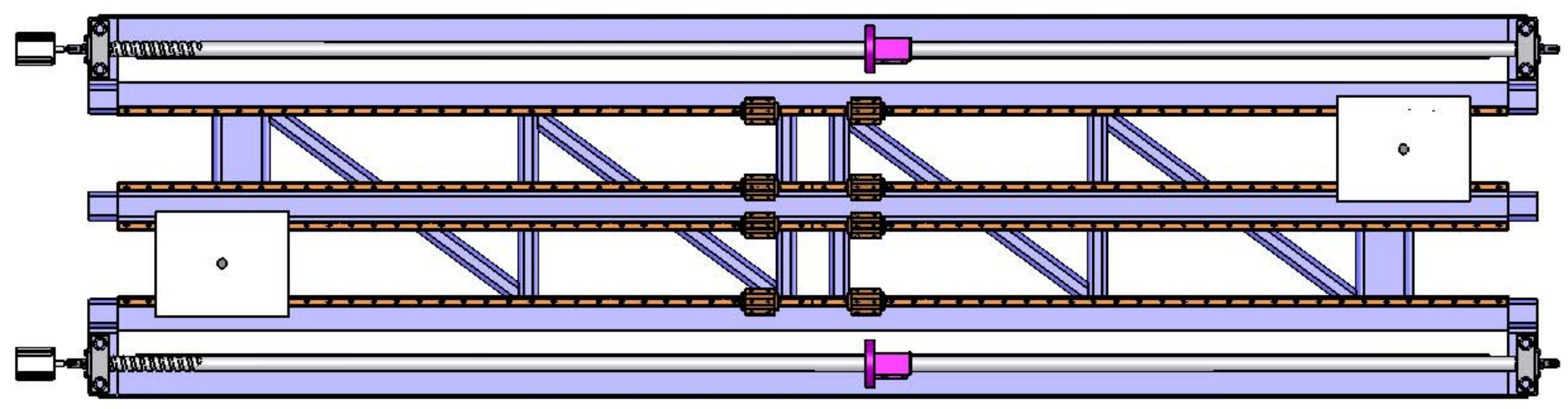
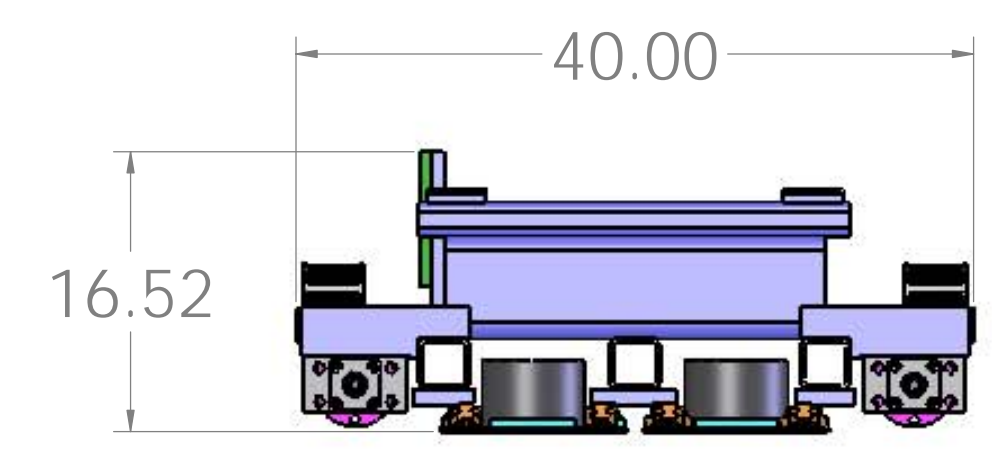
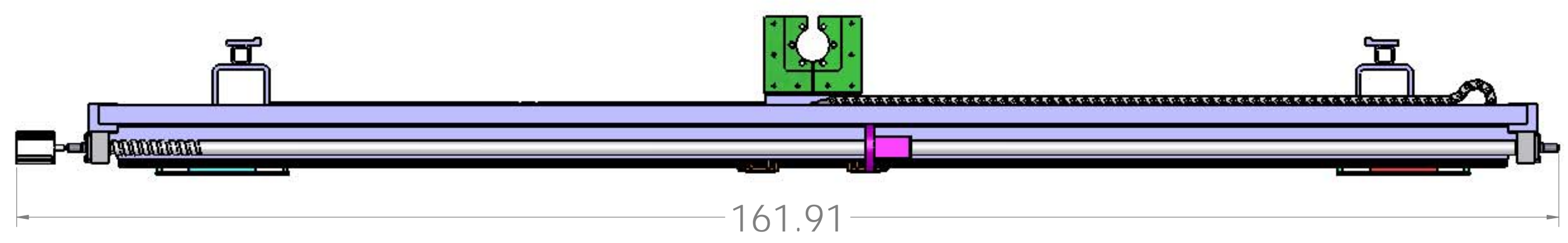
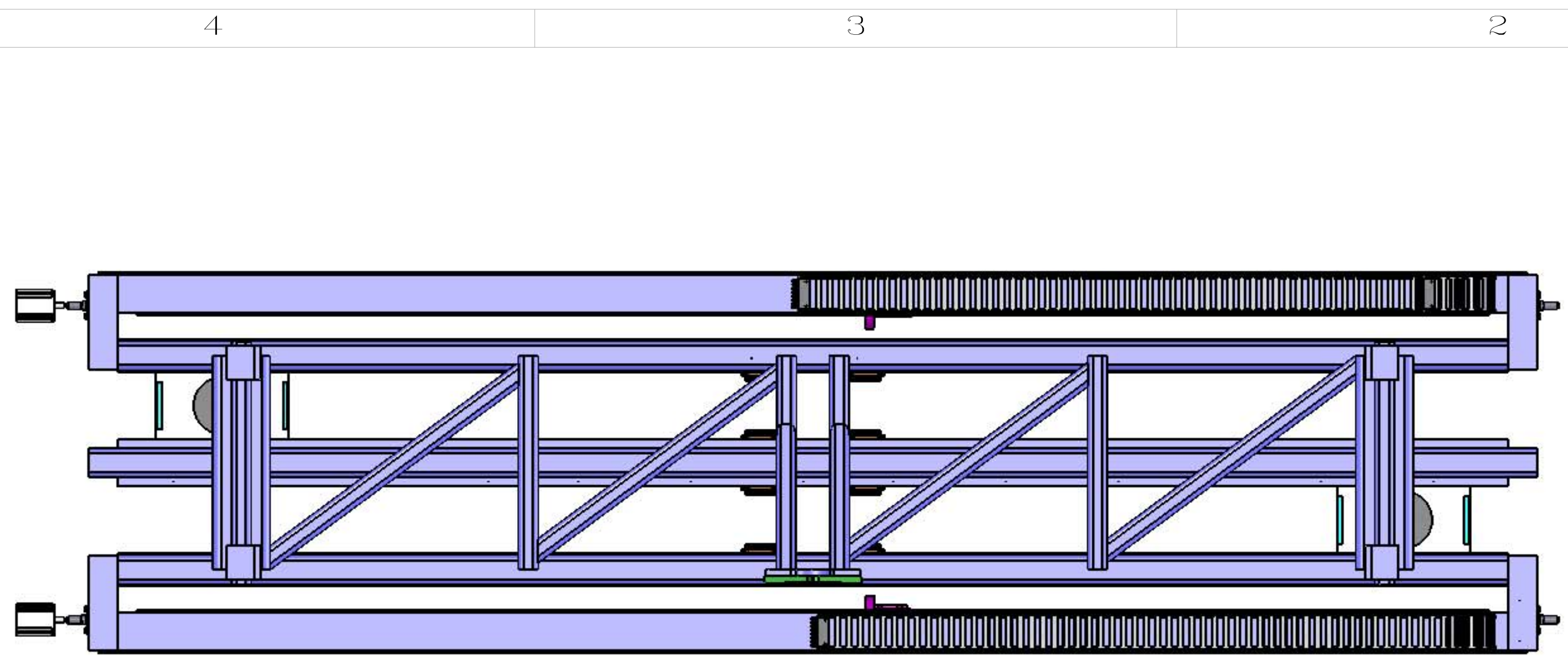
3

2

1



REVISIONS				
ZONE	REV	DESCRIPTION	DATE	APPRV
-	-	INITIAL ISSUE	-	-



NOTE: DO NOT SCALE DRAWING!  
ALL TOLERANCES UNLESS OTHERWISE SPECIFIED ARE:

DIMENSIONS ARE IN:  
 INCHES [mm]    mm [IN]

x.xx [x,x]   ± .010 [.3]  
x.xxx [x,xx]   ± .005 [.13]  
x.xxxx [x,xxx]   ± .0005 [.013]  
xx/xx   ± 1/32  
x'   ± 1"

UNIVERSITY OF ROCHESTER  
DEPT. OF PHYSICS AND ASTRONOMY  
SIDNEY W. BARNES RESEARCH LABORATORY

TITLE: MINERVA DETECTOR ASS'Y

THIRD ANGLE PROJECTION

DRAWN	RSF	DATE	-
CHECKED	RSF	DATE	-
APPROVED	RSF	DATE	-

THIS IS THE PROPERTY OF THE UNIVERSITY OF ROCHESTER. ANY USE OR REPRODUCTION WITHOUT AUTHORIZATION BY THIS UNIVERSITY IS PROHIBITED.

SCALE: 1:8   SHEET: 10 OF 11

WEIGHT: 9625 LBS   FILE: MAPPER



