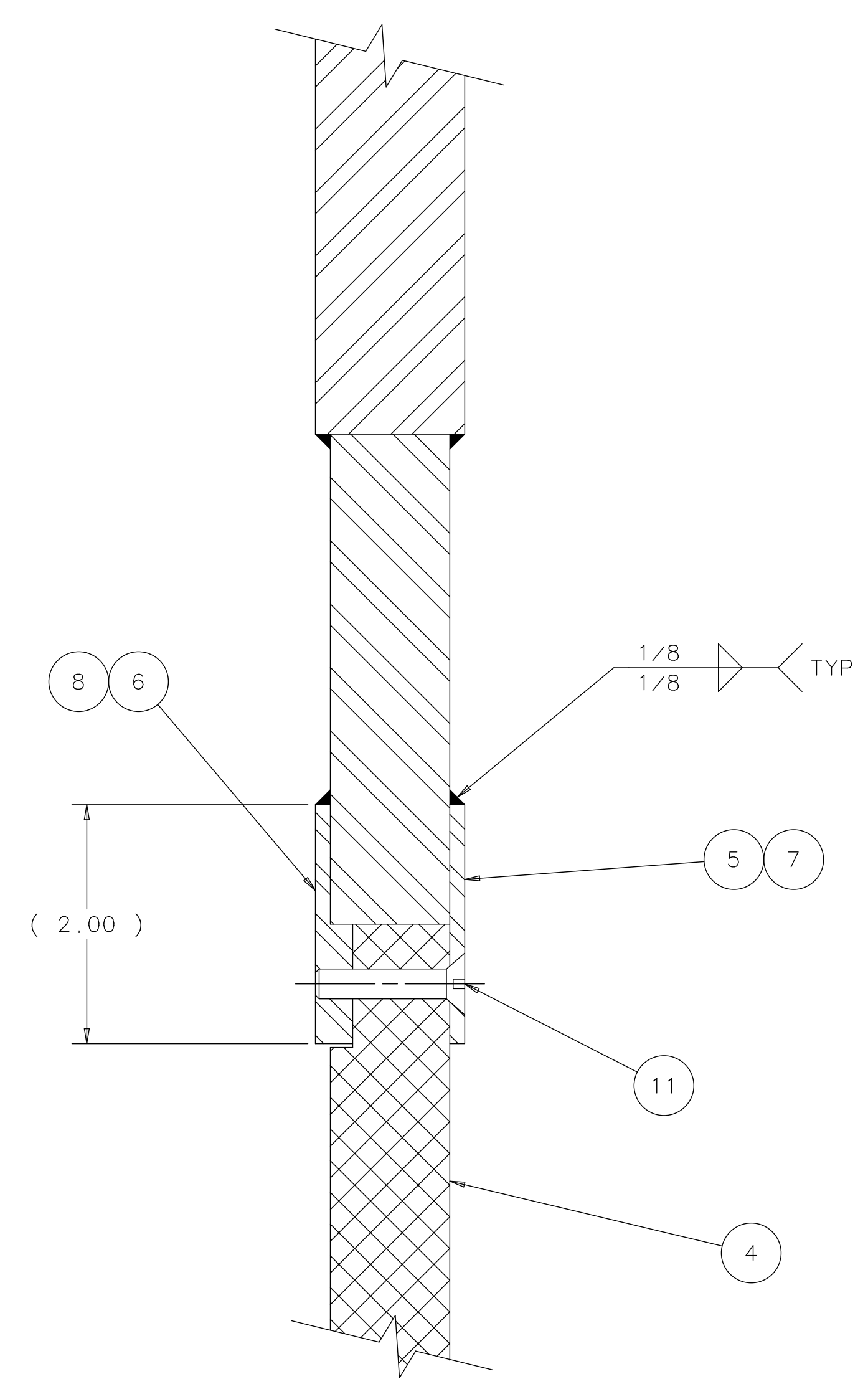
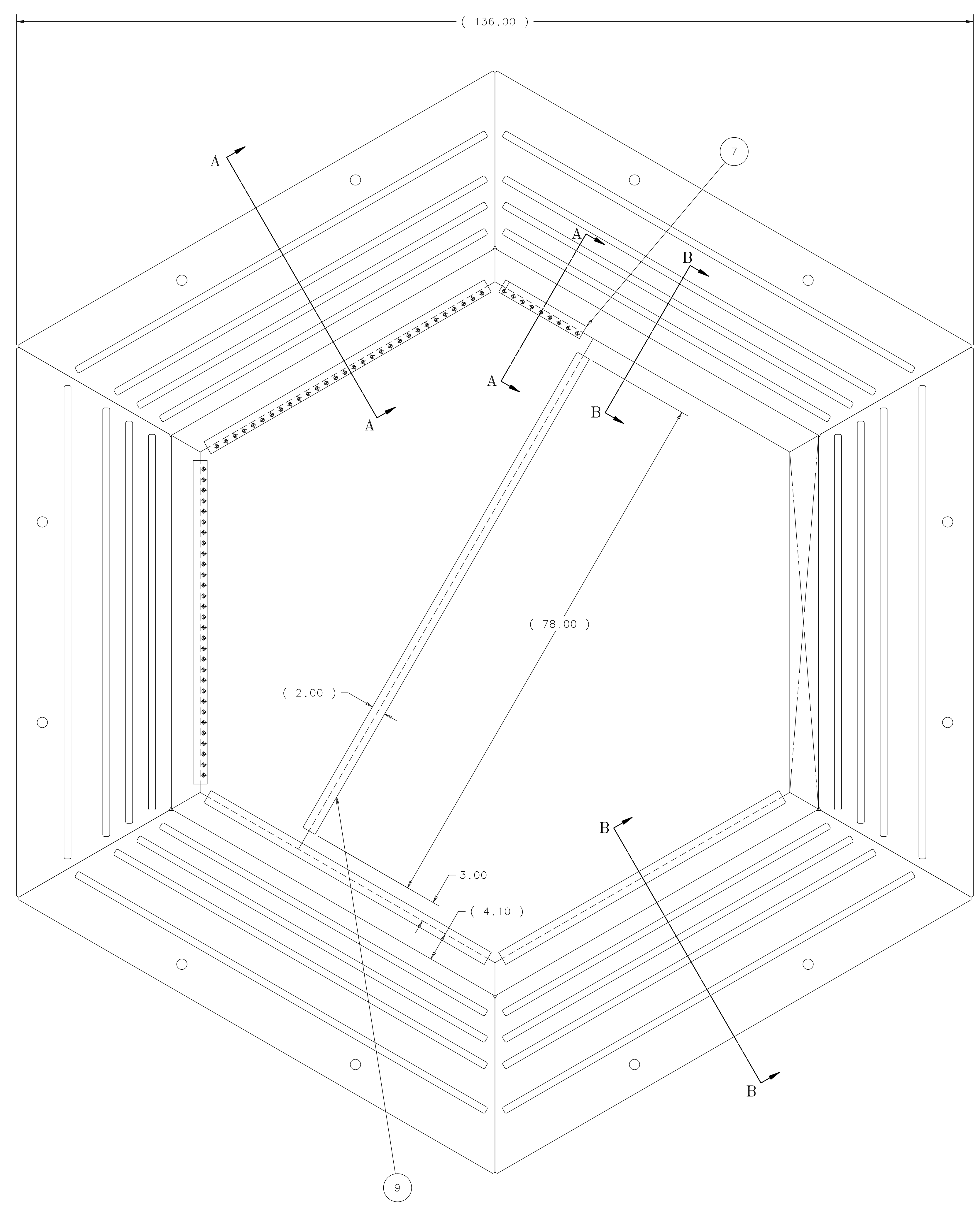
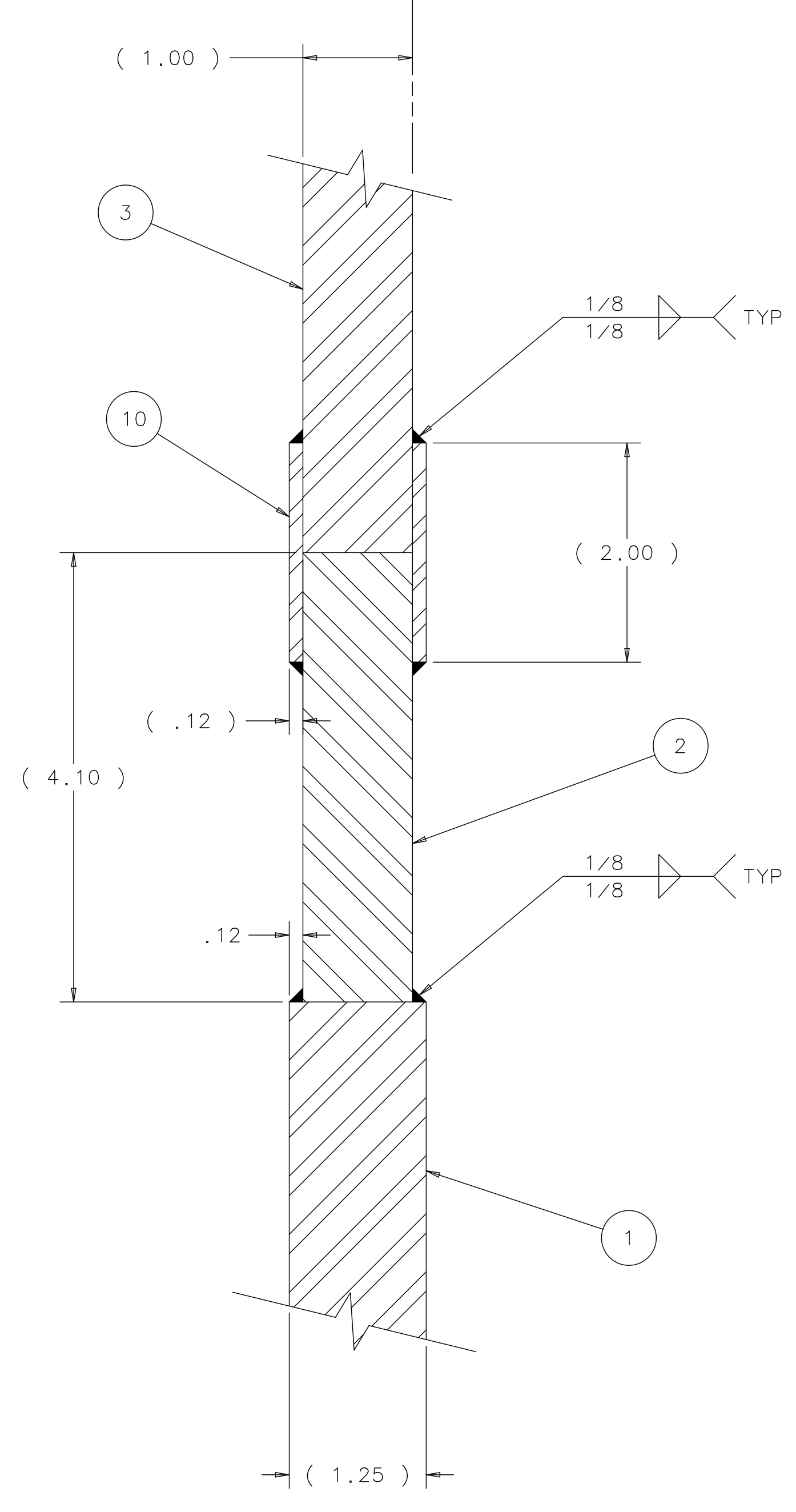


REV	DESCRIPTION	DRAWN	DATE
		APPROVED	DATE



SECTION A-A



SECTION B-B

ITEM	PART NO.	DESCRIPTION OR SIZE	QTY.
11	COM*L	FLAT HD. SCREW 1/4-20 UNC-2B X 1.25 LG. - SST.	69
10	COM*L	H.R. STEEL 1/8 X 2.00 X 46.00 LG.	2
9	COM*L	H.R. STEEL 1/8 X 2.00 X 78.00 LG.	1
8	MD-435873	STEEL CAPTURE PLATE (TAPPED) SHORT	1
7	MD-435872	STEEL CAPTURE PLATE (C'SINK) SHORT	1
6	MD-435871	STEEL CAPTURE PLATE (TAPPED)	2
5	MD-435870	STEEL CAPTURE PLATE (C'SINK)	2
4	MC-435862	LEAD ABSORBER PLATE A1	1
3	MC-435861	STEEL ABSORBER PLATE A1	1
2	MB-435869	WEDGE SUPPORT	5
1	ME-435367	FULL FRAME SEGMENT, NARROW	1

PARTS LIST			
UNLESS OTHERWISE SPECIFIED	ORIGINATOR	J. KILMER	16-JUN-2006
.X	.XX	ANGLES	G. SMITH
± ---	± ---	± ---	16-JUN-2006
1. BREAK ALL SHARP EDGES TO MAX.	CHECKED		
2. DO NOT SCALE DRAWING.	APPROVED		
3. DIMENSIONS BASED UPON C&E 114-DWG-1984	USED ON		
4. MAX. ALL MACH. SURFACES	MATERIAL		
5. DRAWING UNITS: U.S. INCH	SEE PARTS LIST ABOVE		

**FERMI NATIONAL ACCELERATOR LABORATORY**  
 UNITED STATES DEPARTMENT OF ENERGY  
**MINERVA-MECHANICAL DETECTOR TARGET #1 ASSEMBLY**

SCALE	DRAWING NUMBER	SHEET	REV
1:4	3938.300-ME-435856	1 OF 1	

CREATED WITH: Ideas12NXSeries | GROUP: PPD/MECHANICAL DEPARTMENT