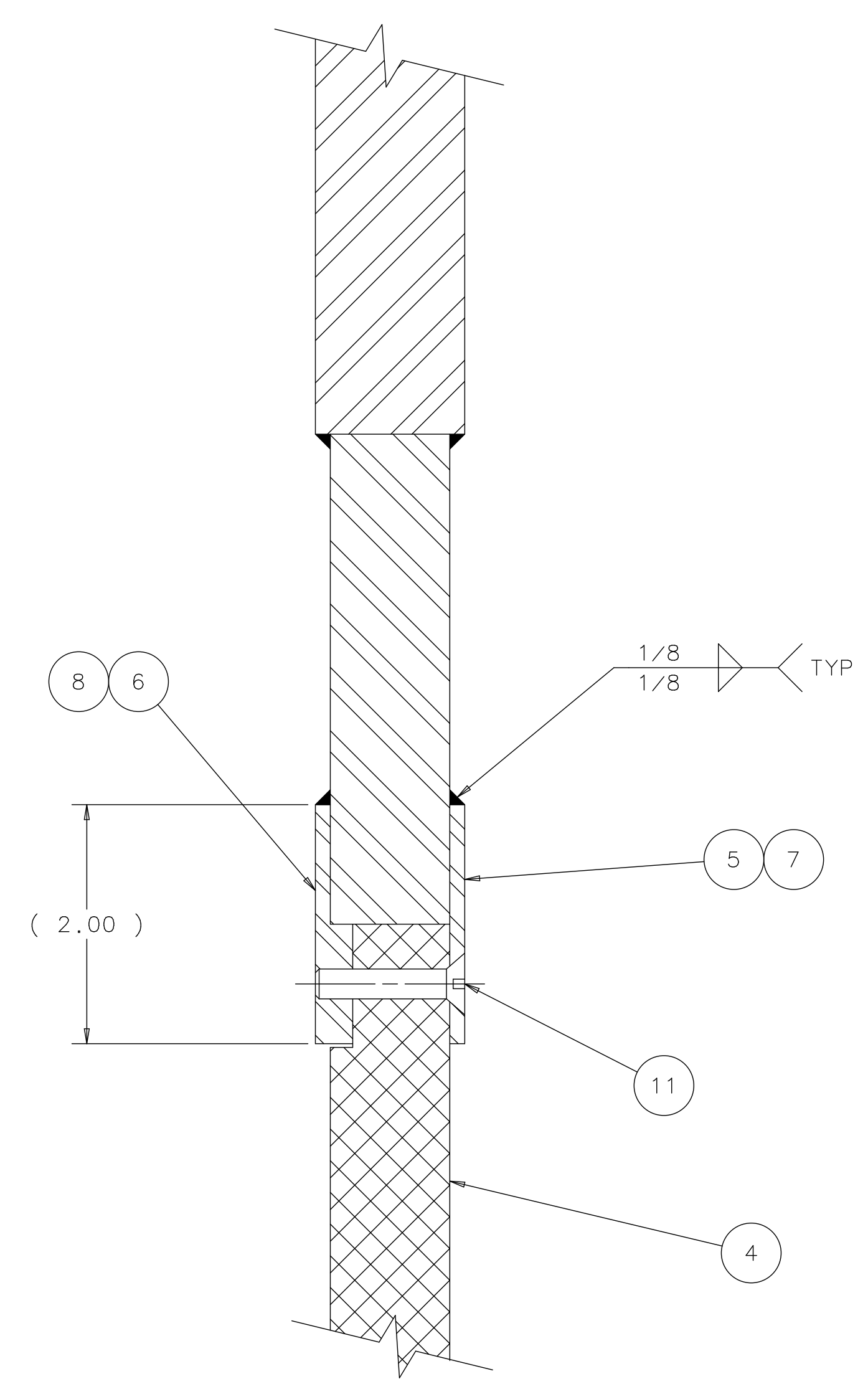
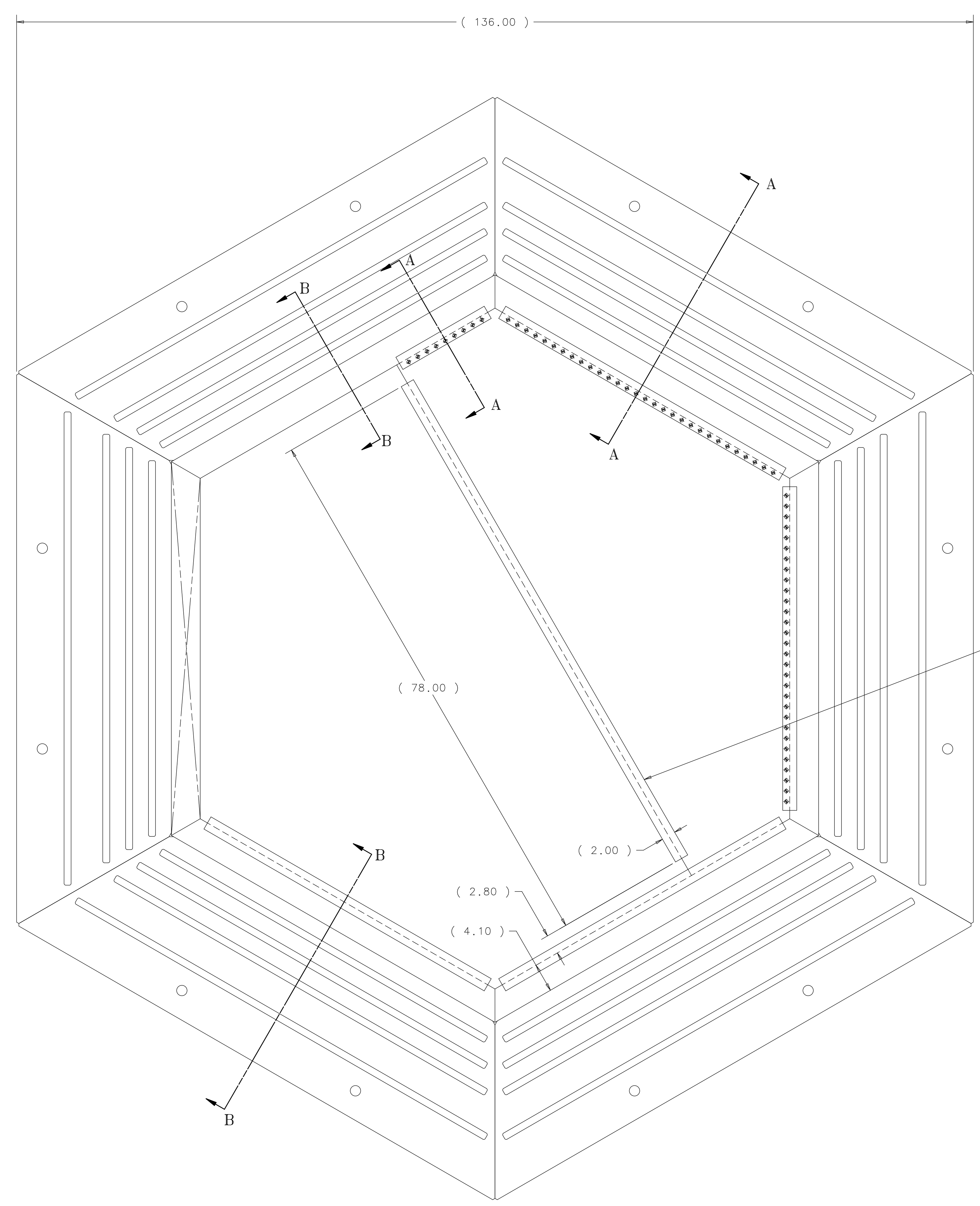
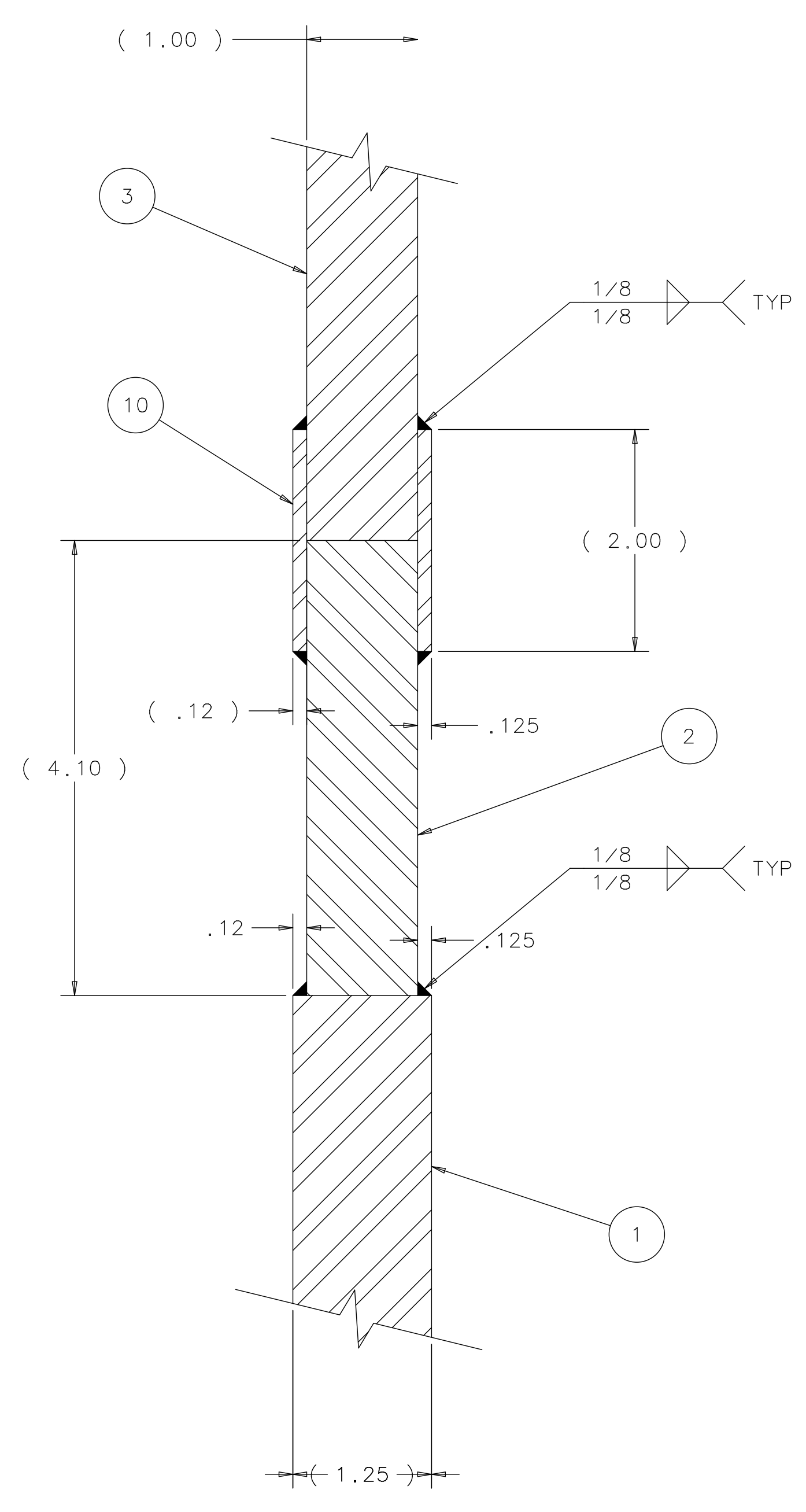


REV	DESCRIPTION	DRAWN	DATE
		APPROVED	DATE



SECTION A-A



SECTION B-B

ITEM	PART NO.	DESCRIPTION OR SIZE	QTY.
11	COM'L	FLAT HD. SCREW 1/4-20 UNC-2B X 1.25 LG. - SST.	69
10	COM'L	H.R. STEEL 1/8 X 2.00 X 46.00 LG.	2
9	COM'L	H.R. STEEL 1/8 X 2.00 X 78.00 LG.	1
8	MD-435873	STEEL CAPTURE PLATE (TAPPED) SHORT	1
7	MD-435872	STEEL CAPTURE PLATE (C'SINK) SHORT	1
6	MD-435871	STEEL CAPTURE PLATE (TAPPED)	2
5	MD-435870	STEEL CAPTURE PLATE (C'SINK)	2
4	MC-435862	LEAD ABSORBER PLATE A1	1
3	MC-435861	STEEL ABSORBER PLATE A1	1
2	MB-435869	WEDGE SUPPORT	5
1	ME-435367	FULL FRAME SEGMENT, NARROW	1

PARTS LIST			
UNLESS OTHERWISE SPECIFIED	ORIGINATOR	R. FLIGHT	16-JUN-2006
.X	.XX	ANGLES	DRAWN
±	±	±	G. SMITH
±	±	±	16-JUN-2006
±	±	±	CHECKED
±	±	±	APPROVED
±	±	±	USED ON
±	±	±	MATERIAL
±	±	±	SEE PARTS LIST ABOVE

FERMI NATIONAL ACCELERATOR LABORATORY
 UNITED STATES DEPARTMENT OF ENERGY
MINERVA-MECHANICAL DETECTOR TARGET #2 ASSEMBLY

SCALE	DRAWING NUMBER	SHEET	REV
1:4	3938.300-ME-435857	1 OF 1	

CREATED WITH: Ideas12NXSeries | GROUP: PPD/MECHANICAL DEPARTMENT