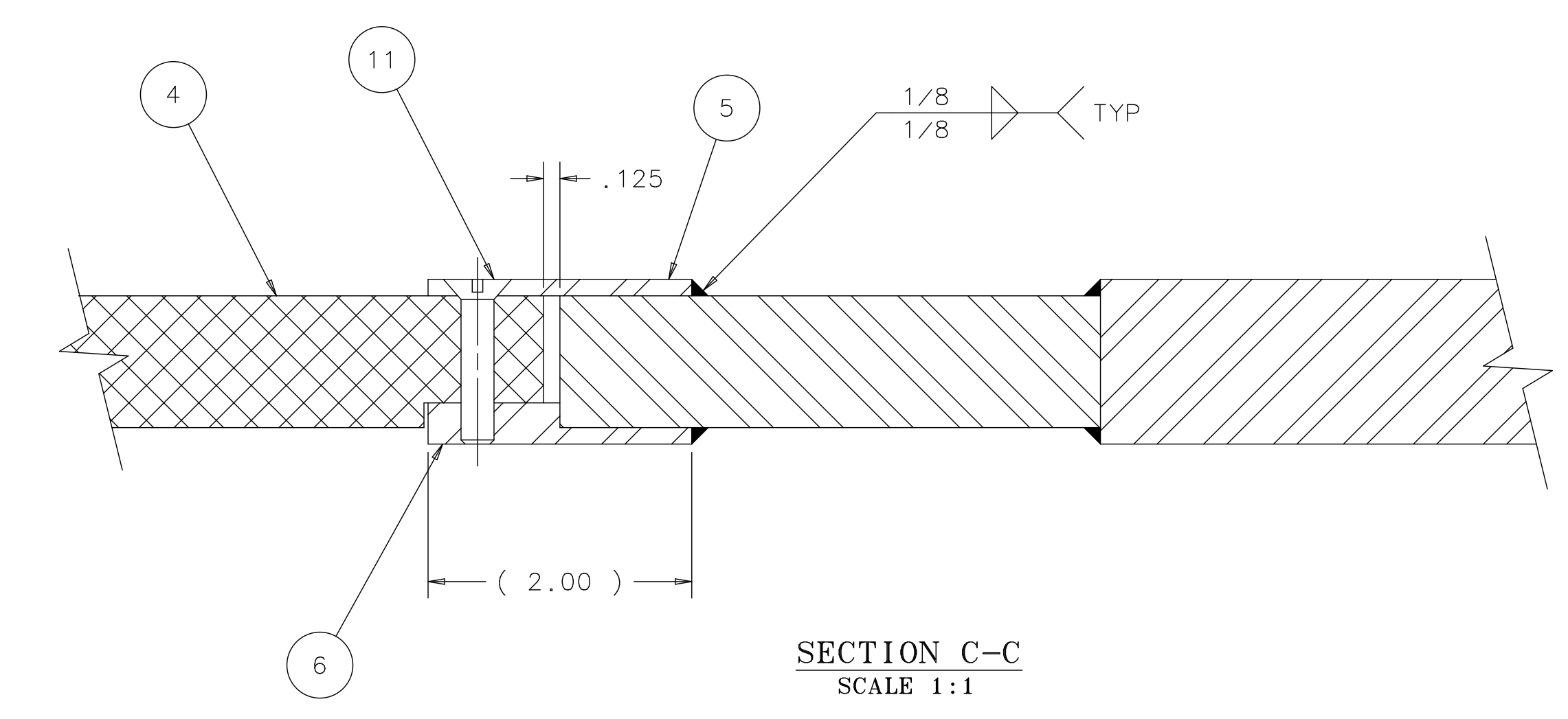
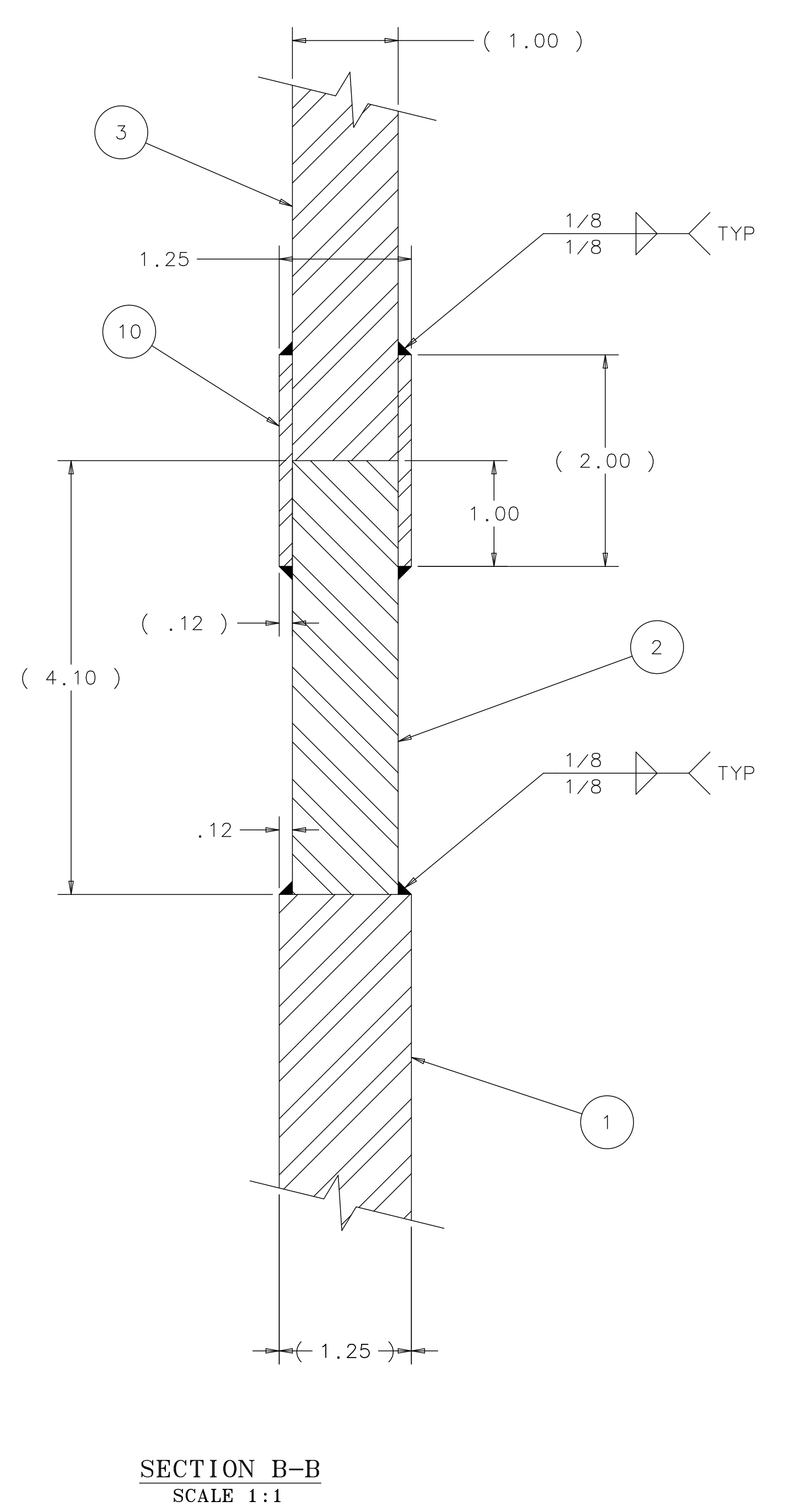
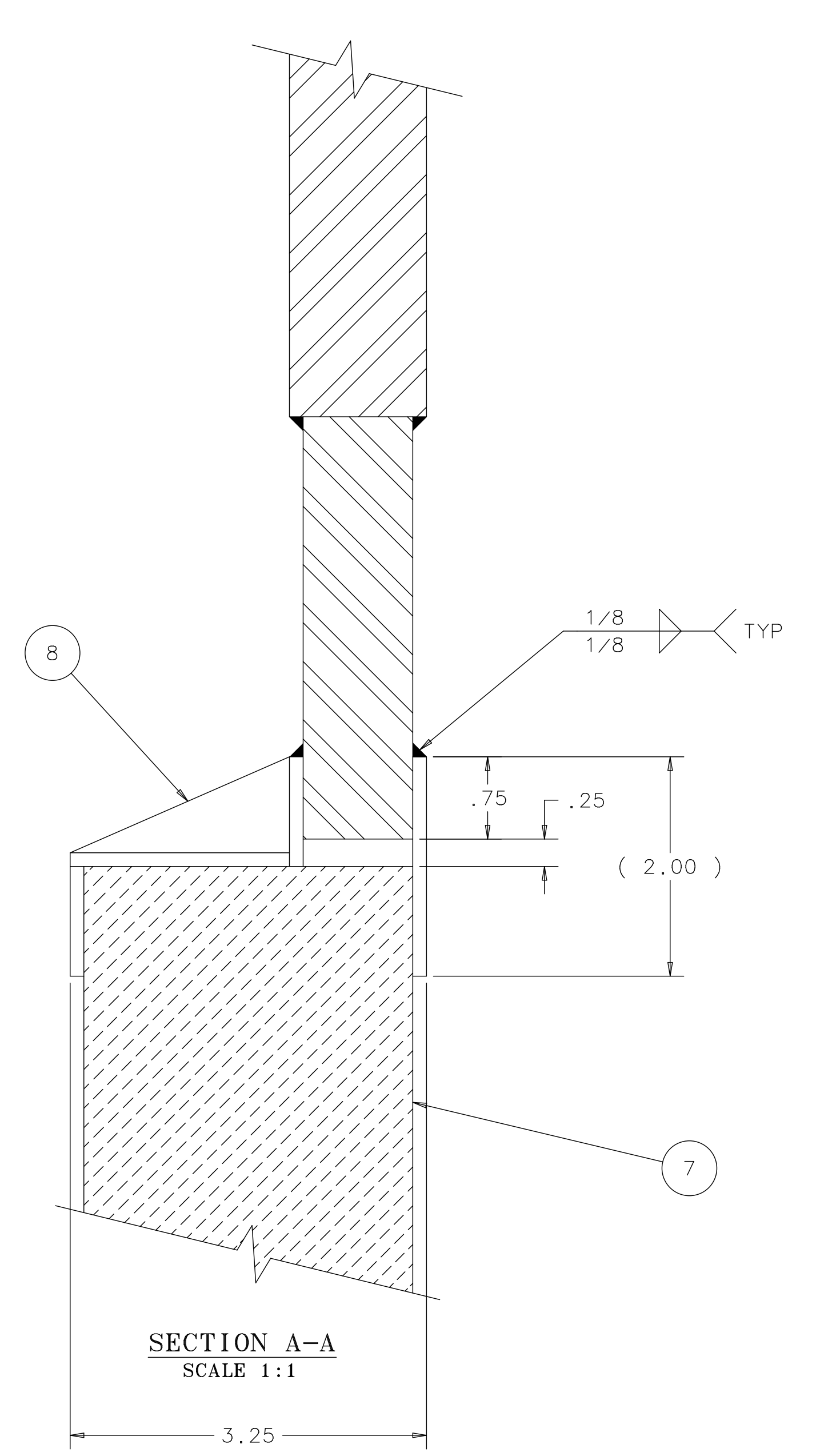
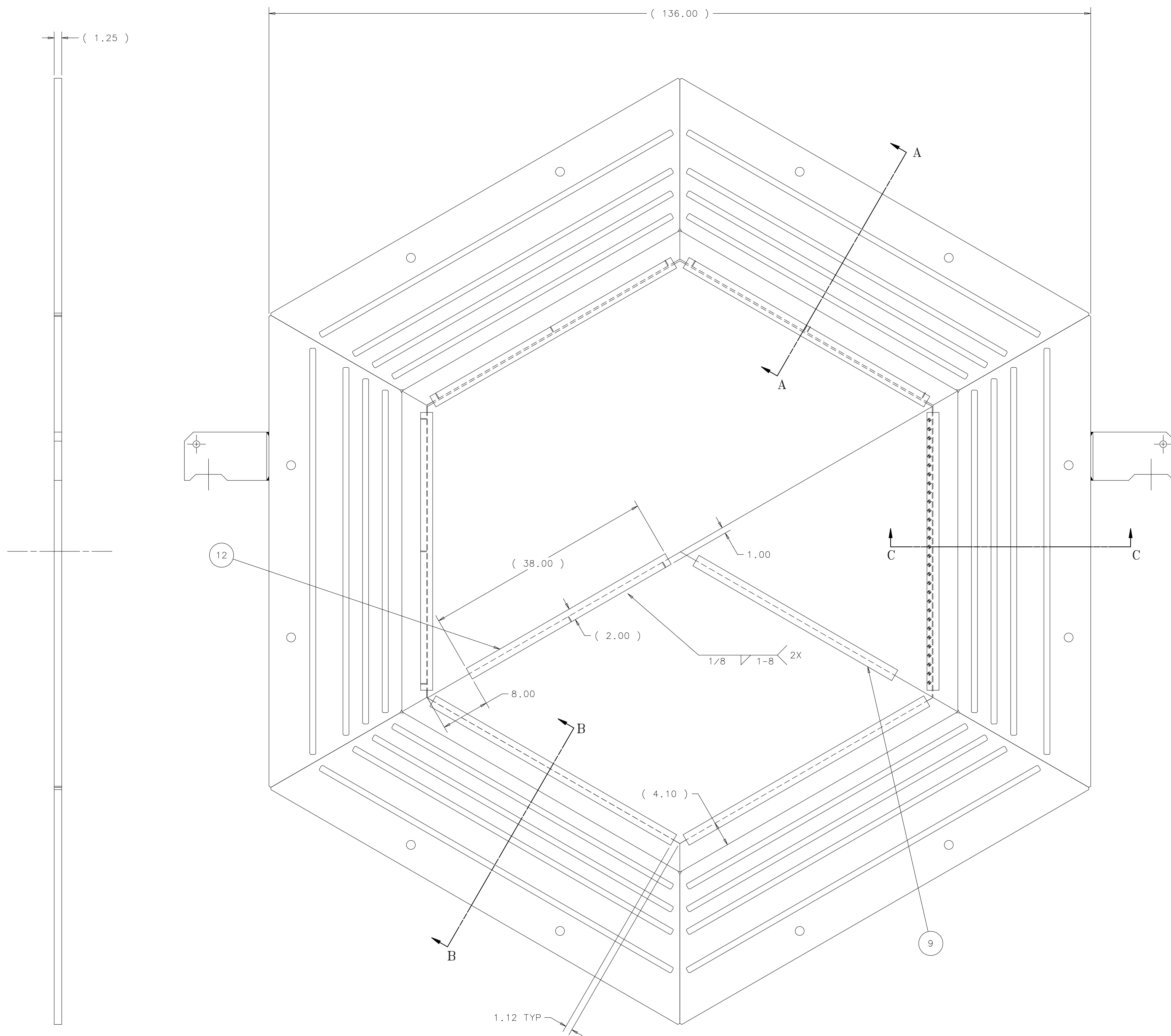


REV	DESCRIPTION	DRAWN	DATE
		APPROVED	DATE



ITEM	PART NO.	DESCRIPTION OR SIZE	QTY.
12	MC-444069	STEEL CAPTURE PLATE WELD SHORT	1
11	COM*L	FLAT HD. SCREW 1/4-20 UNC-2B X 1.25 LG. - SST.	30
10	COM*L	H.R. STEEL 1/8 X 2.00 X 46.00 LG.	7
9	COM*L	H.R. STEEL 1/8 X 2.00 X 38.00 LG.	3
8	MC-435881	STEEL CAPTURE PLATE WELDMENT	3
7	MC-435867	CARBON ABSORBER PLATE C1	1
6	MD-435871	STEEL CAPTURE PLATE (TAPPED)	1
5	MD-435870	STEEL CAPTURE PLATE (C'SINK)	1
4	MC-435864	LEAD ABSORBER PLATE B1	1
3	MC-435863	STEEL ABSORBER PLATE B1	1
2	MB-435869	WEDGE SUPPORT	6
1	MC-435704	PLANE AND SUPPORT EAR SUPPORT	1

PARTS LIST			
UNLESS OTHERWISE SPECIFIED	ORIGINATOR	J. KILMER	16-JUN-2006
.X	.XX	ANGLES	G. SMITH 16-JUN-2006
±	±	CHECKED	
		APPROVED	
		USED ON	
		MATERIAL	SEE PARTS LIST ABOVE

**FERMI NATIONAL ACCELERATOR LABORATORY**  
 UNITED STATES DEPARTMENT OF ENERGY  
**MINERVA-MECHANICAL DETECTOR TARGET #3 ASSEMBLY**

SCALE	DRAWING NUMBER	SHEET	REV
1:4	3938.300-ME-435858	1 OF 1	

CREATED WITH: Ideas12NXSeries | GROUP: PPD/MECHANICAL DEPARTMENT