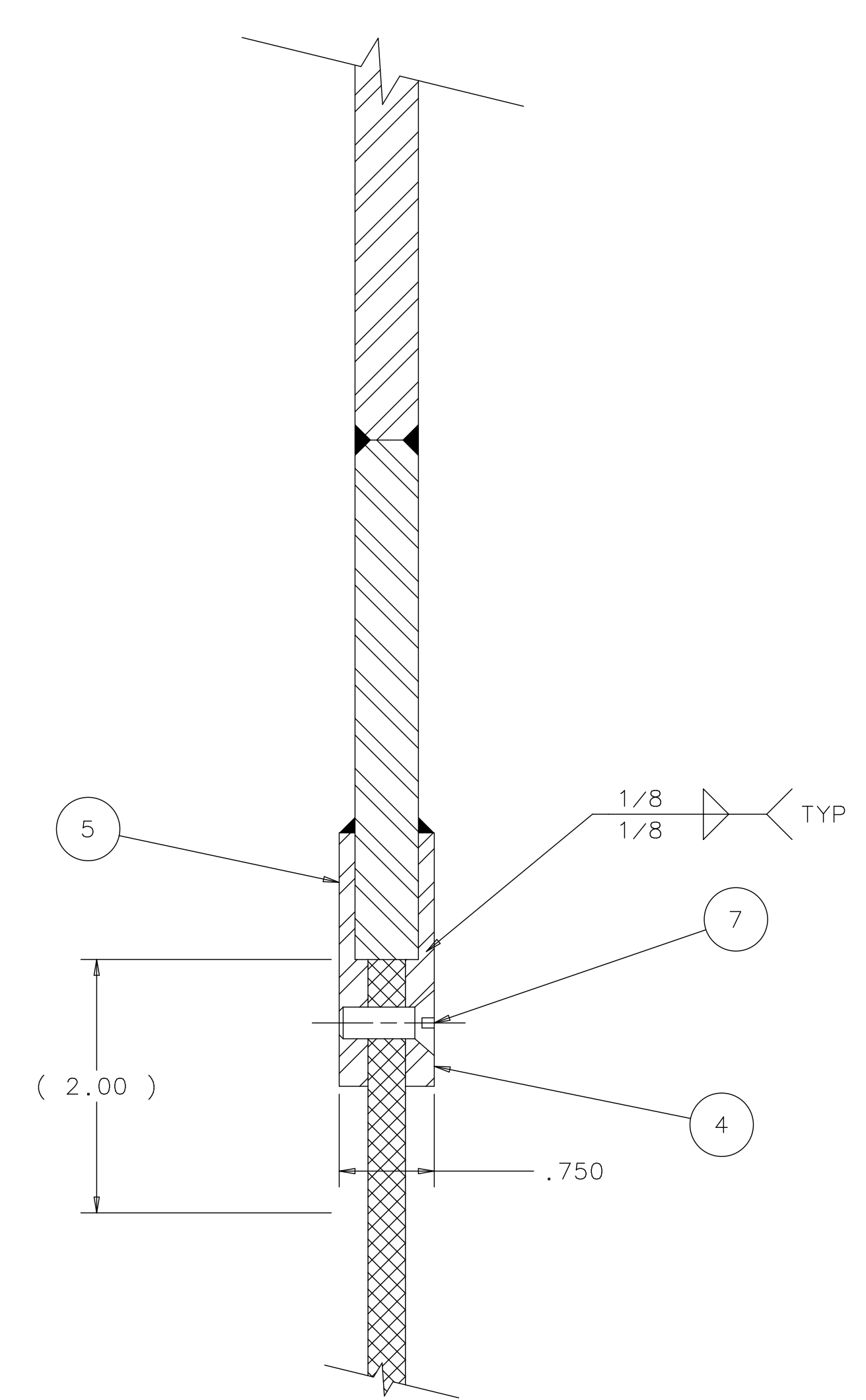
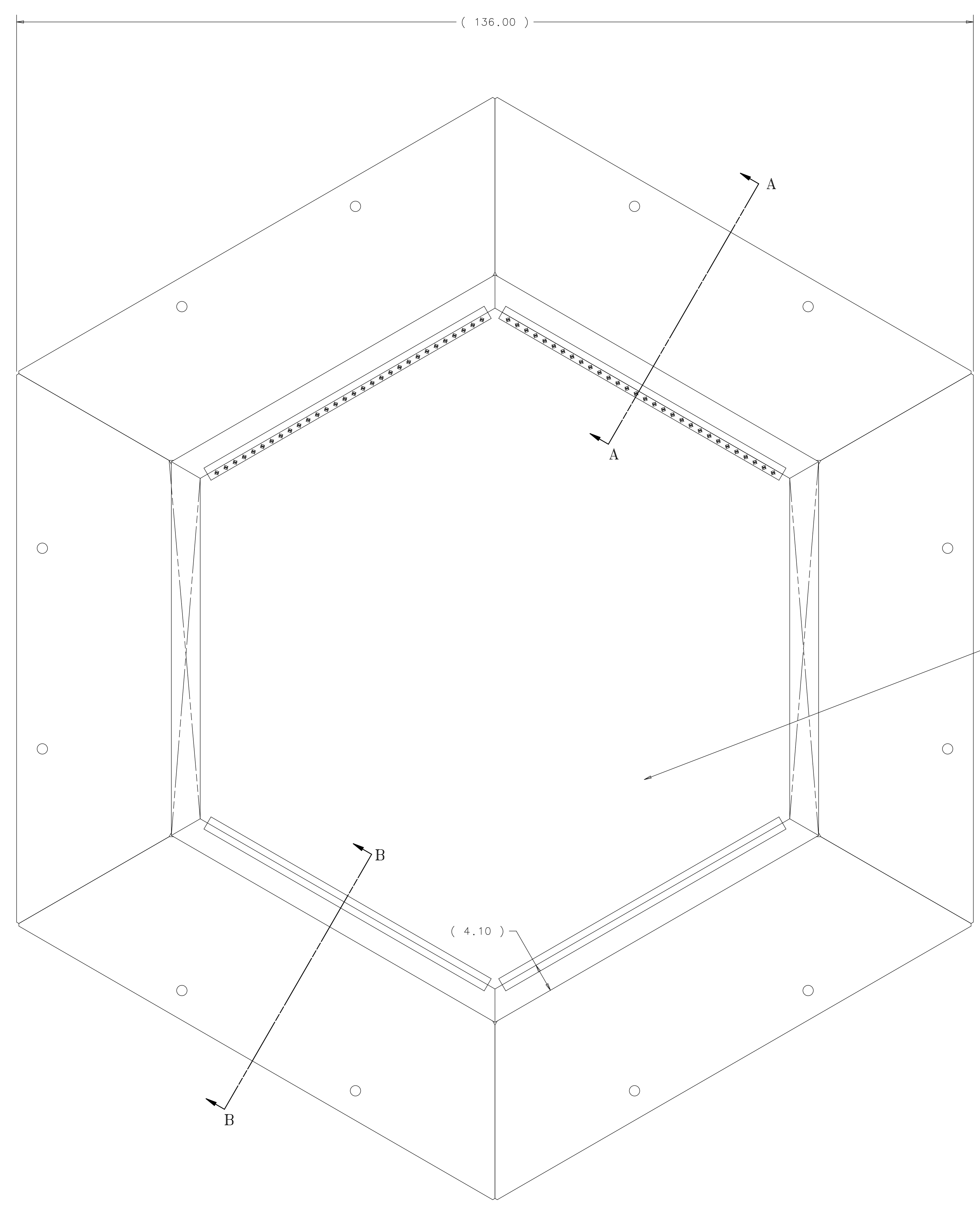
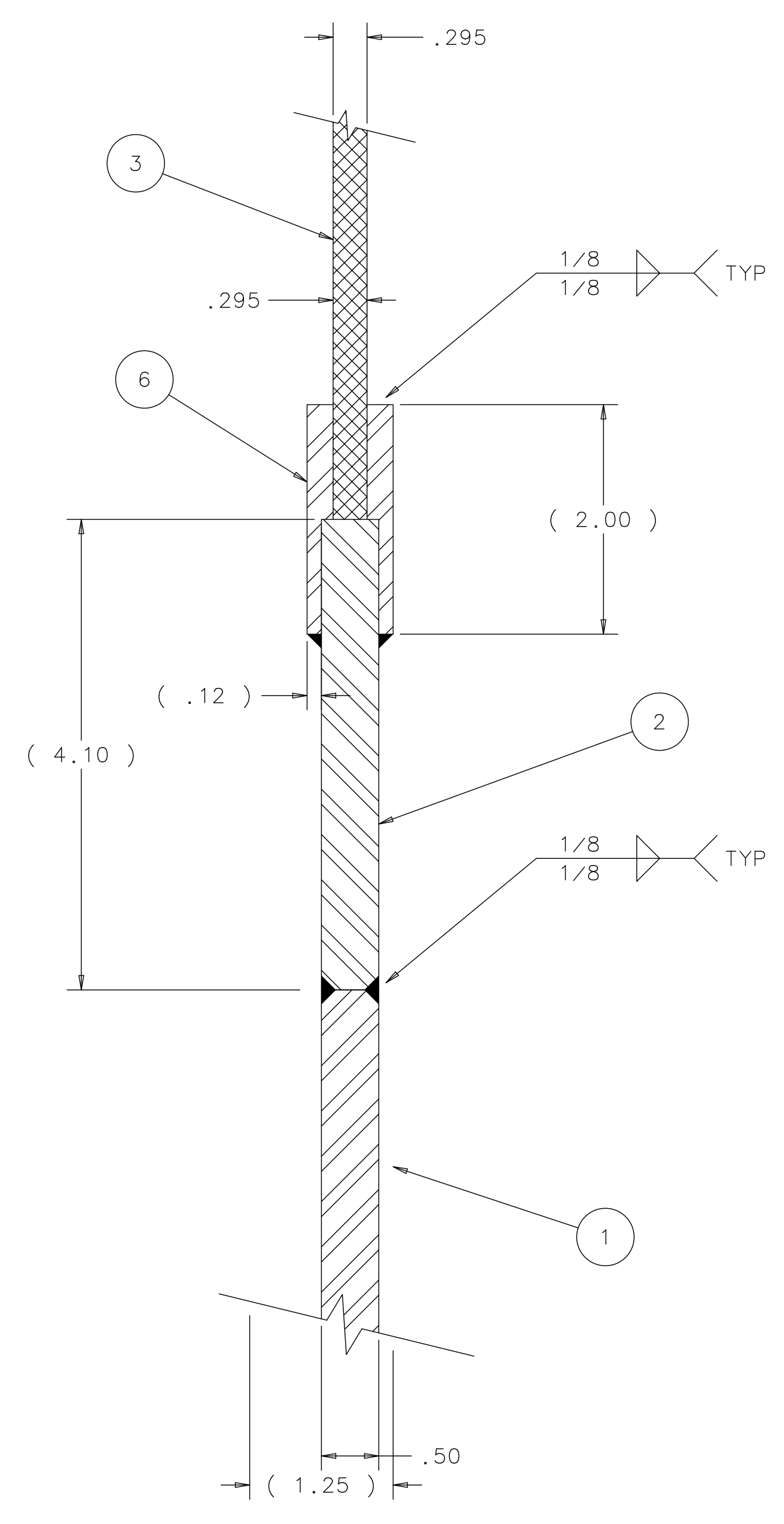


REV	DESCRIPTION	1	DATE
		APPROVED	DATE



SECTION A-A



SECTION B-B

ITEM	PART NO.	DESCRIPTION OR SIZE	QTY.
7	COM'L	FLAT HD. SCREW 1/4-20 UNC-2B X 1.25 LG. - SST.	60
6	MD-435885	STEEL CAPTURE PLATE	4
5	MD-435883	STEEL CAPTURE PLATE (TAPPED) D1	2
4	MD-435884	STEEL CAPTURE PLATE (C'SINK) D1	2
3	MC-435868	LEAD ABSORBER PLATE D1	1
2	MB-435869	WEDGE SUPPORT	4
1	ME-435882	FRAME ASSEMBLY - THIN	1

PARTS LIST			
UNLESS OTHERWISE SPECIFIED	ORIGINATOR	R. FLIGHT	16-JUN-2006
.X	.XX	ANGLES	DRAWN
±	±	±	CHECKED
			APPROVED
USED ON			
MATERIAL		SEE PARTS LIST ABOVE	

FERMI NATIONAL ACCELERATOR LABORATORY
 UNITED STATES DEPARTMENT OF ENERGY
MINERVA-MECHANICAL DETECTOR TARGET #4 ASSEMBLY

SCALE	DRAWING NUMBER	SHEET	REV
1:4	3938.300-ME-435859	1 OF 1	

CREATED WITH: Ideas12NXSeries | GROUP: PPD/MECHANICAL DEPARTMENT