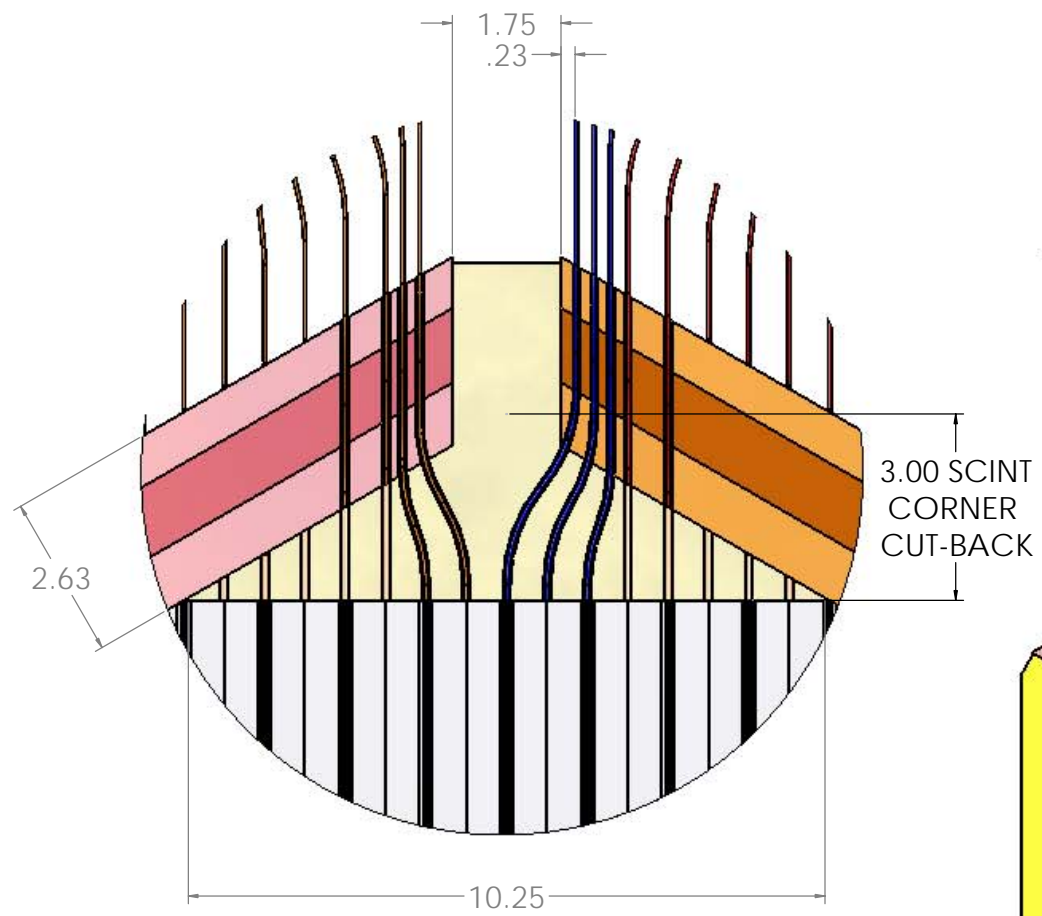
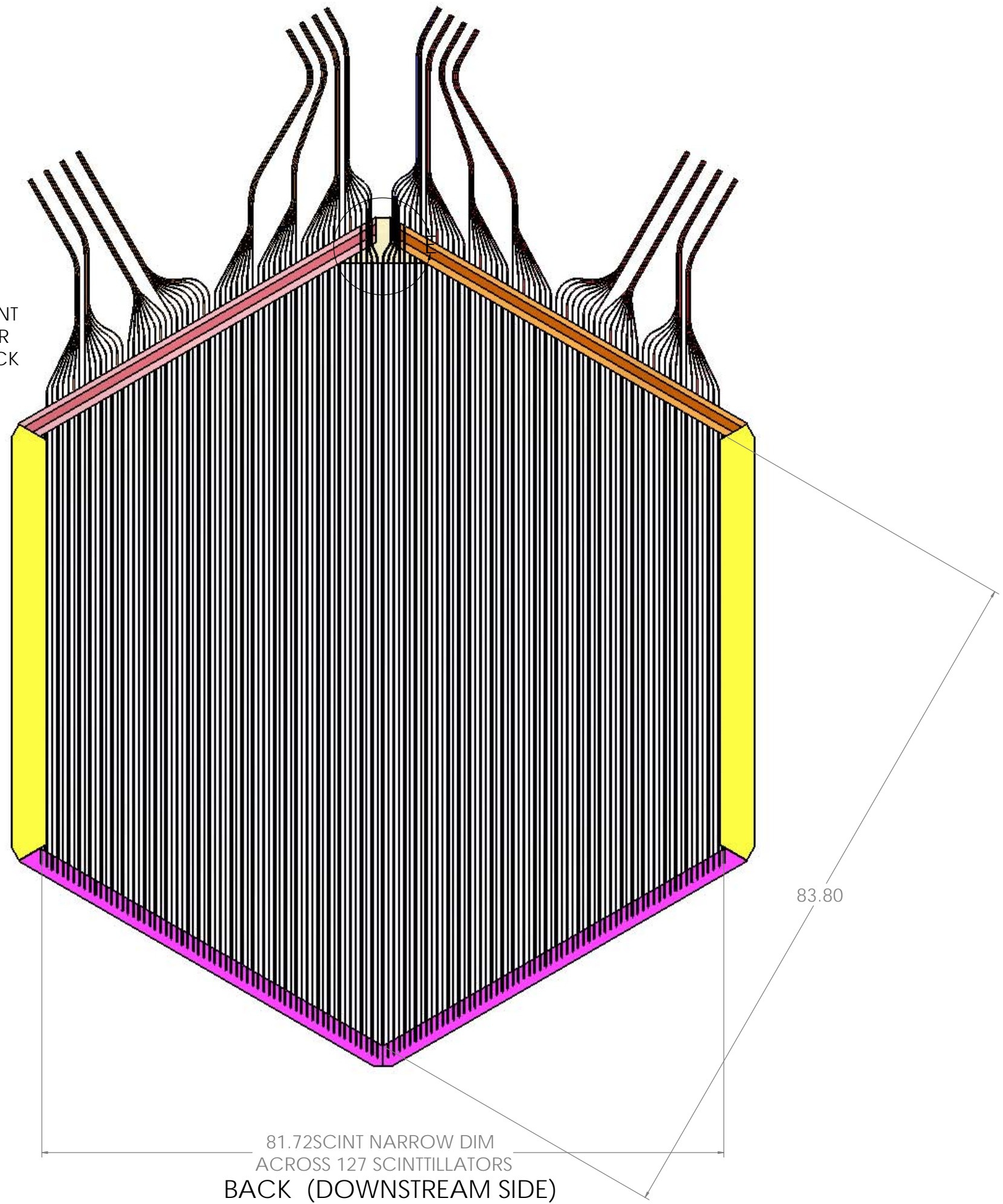


U & V PLANES WITH PERIMETER BLOCKS

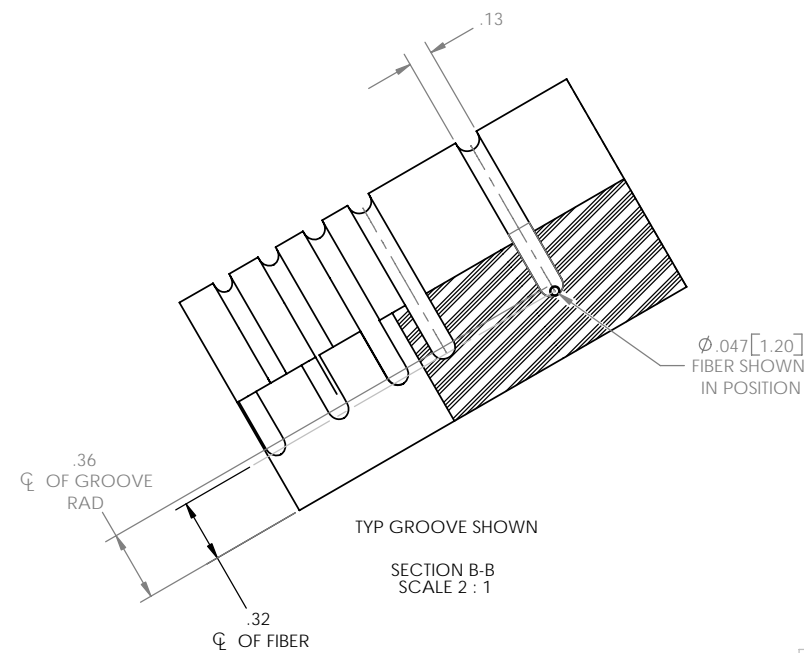
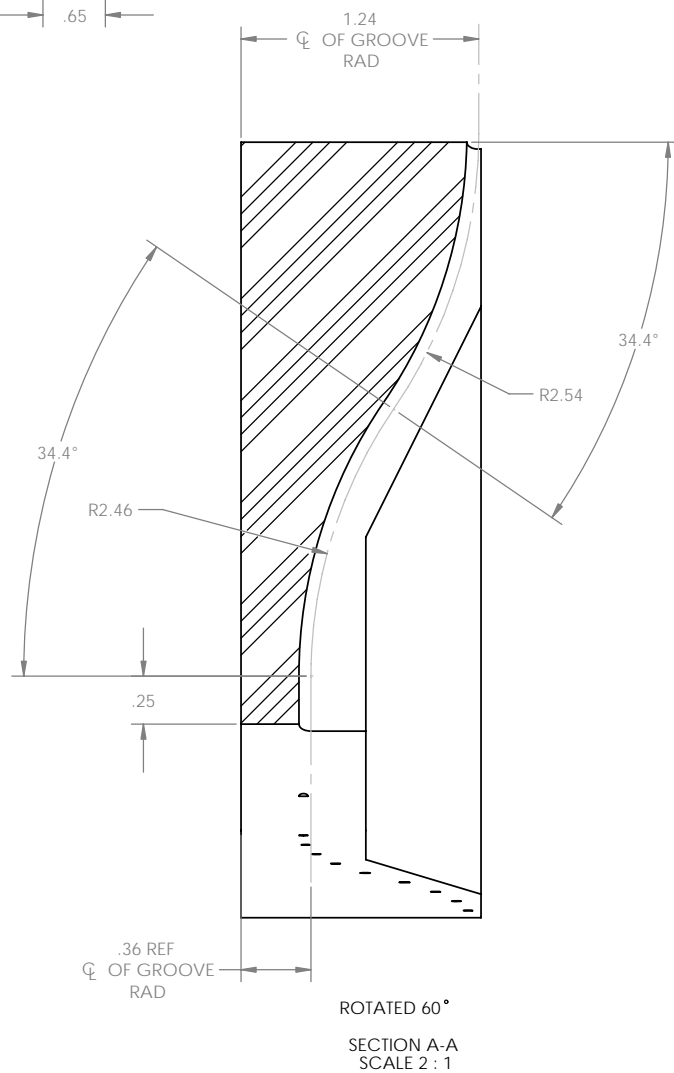
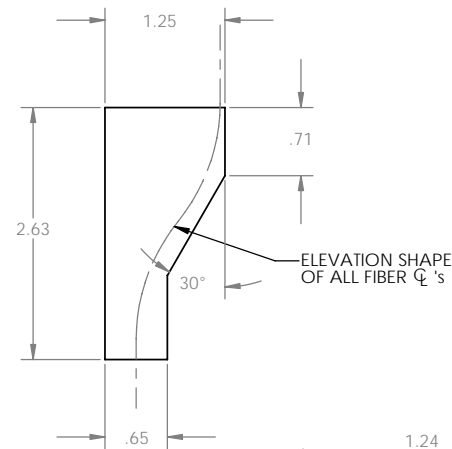
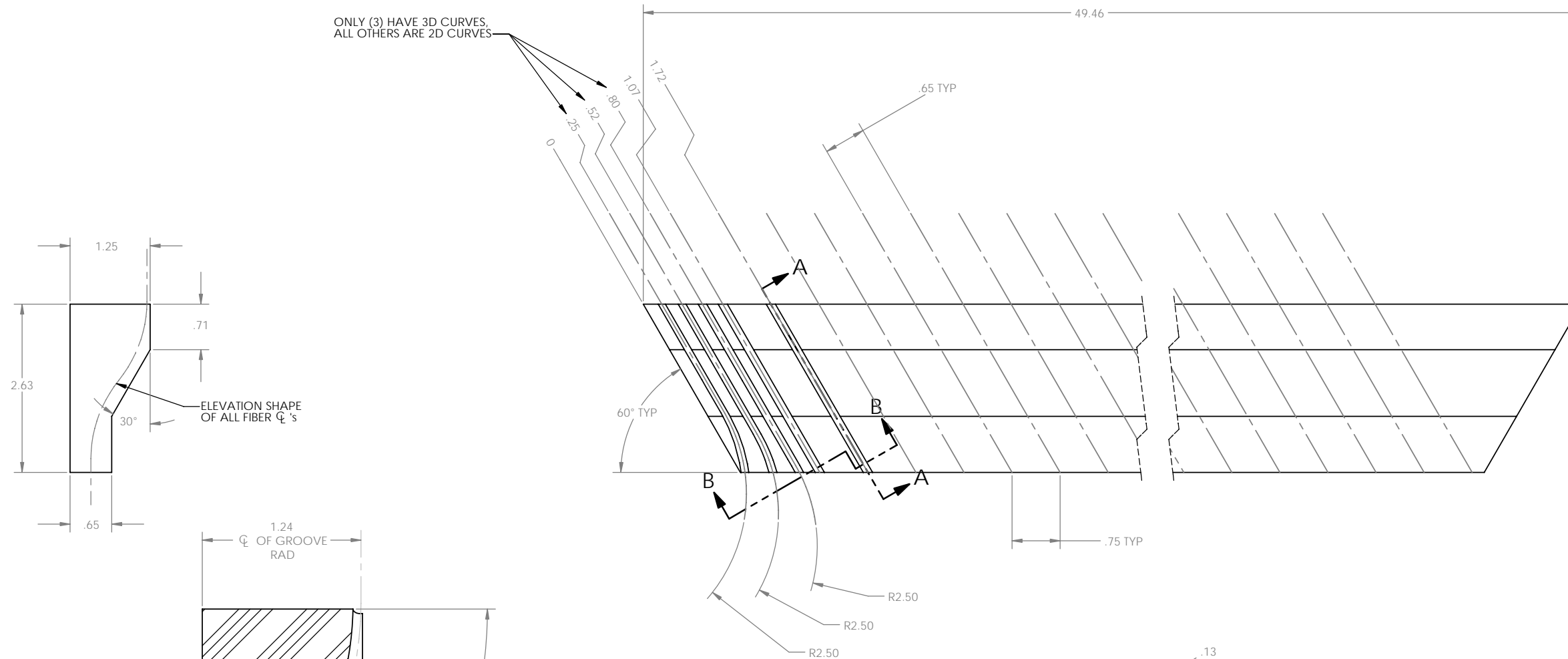


DETAIL E
SCALE 1 : 1



REVISIONS				
ZONE	REV	DESCRIPTION	DATE	APPRV
-	-	INITIAL ISSUE	-	-

ONLY (3) HAVE 3D CURVES,
ALL OTHERS ARE 2D CURVES



FIBER ROUTING COMB, LH U & V PLANES

UPPER COMB LH SHOWN, RH IS OPPOSITE - SEE SHT 2

NOTE: DO NOT SCALE DRAWING ! ALL TOLERANCES UNLESS OTHERWISE SPECIFIED ARE

DIMENSIONS ARE IN:
 INCHES [mm] mm [IN]

x.xxx [x,x] ± .010 [.3]
 x.xxxx [x,xxx] ± .005 [.13]
 x.xxxxx [x,xxxx] ± .0005 [.013]
 xx/xx ± 1/32
 x' ± 1"

UNIVERSITY OF ROCHESTER				
DEPT. OF PHYSICS AND ASTRONOMY				
SIDNEY W. BARNES RESEARCH LABORATORY				
TITLE MINERVA DETECTOR ASS'Y				
THIRD ANGLE PROJECTION	DRAWN	RSF	DATE	-
	CHECKED	RSF	DATE	-
	APPROVED	RSF	DATE	-

THIS IS THE PROPERTY OF THE UNIVERSITY OF ROCHESTER. ANY USE OR REPRODUCTION WITHOUT AUTHORIZATION BY THIS UNIVERSITY IS PROHIBITED.	SIZE [DWG NO.] D	SCALE 1:1	SHEET 1 OF 5	REV
--	---------------------	-----------	--------------	-----

4

3

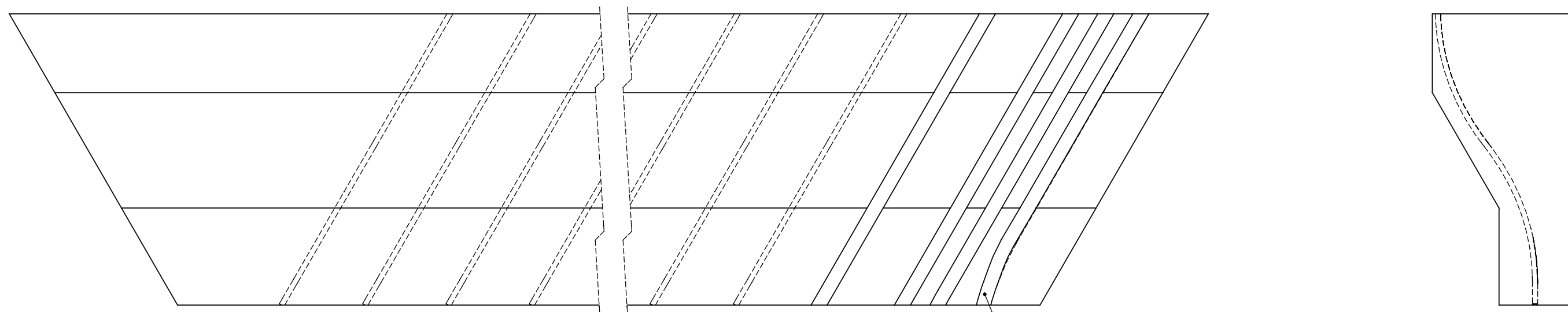
2

1

REVISIONS				
ZONE	REV	DESCRIPTION	DATE	APPRV
-	-	INITIAL ISSUE	-	-

B

B



ONLY GROOVES #2 & #3 ARE 3D,
GROOVE #1 IS NOT NEEDED &
NOT SHOWN

A

A

UPPER COMB RH SHOWN
OPPOSITE OF LH,
SHOWN ON SHT 1

NOTE: DO NOT SCALE DRAWING !
ALL TOLERANCES UNLESS
OTHERWISE SPECIFIED ARE

DIMENSIONS ARE IN:
 INCHES [mm] mm [IN]
 x.xx [x,x] ± .010 [.3]
 x.xxx [x,xx] ± .005 [.13]
 x.xxxx [x,xxx] ± .0005 [.013]
 xx/xx ± 1/32
 x' ± 1"

UNIVERSITY OF ROCHESTER
DEPT. OF PHYSICS AND ASTRONOMY
SIDNEY W. BARNES RESEARCH LABORATORY

TITLE: MINERVA DETECTOR ASS'Y

THIRD ANGLE PROJECTION

DRAWN	RSF	DATE	-
CHECKED	RSF	DATE	-
APPROVED	RSF	DATE	-

THIS IS THE PROPERTY OF THE UNIVERSITY OF ROCHESTER. ANY USE OR REPRODUCTION WITHOUT AUTHORIZATION BY THIS UNIVERSITY IS PROHIBITED.

SIZE	DWG NO	REV
D	-	-
SCALE	2:1	SHEET 2 OF 5

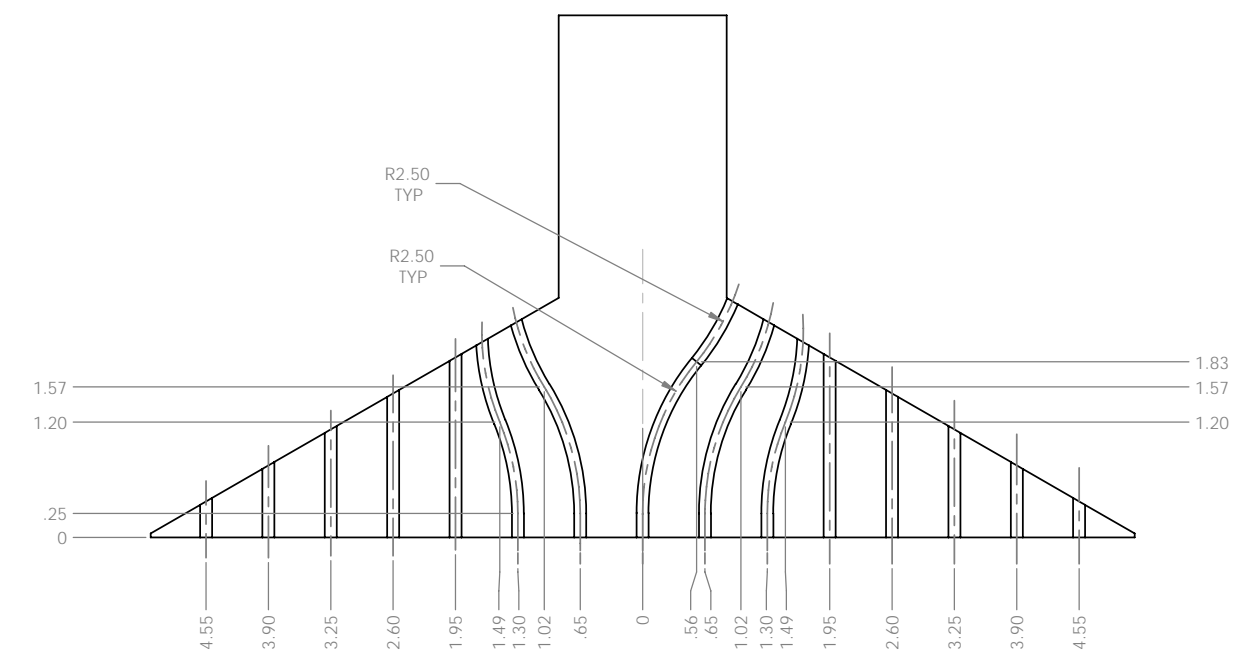
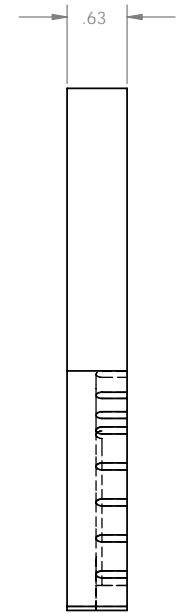
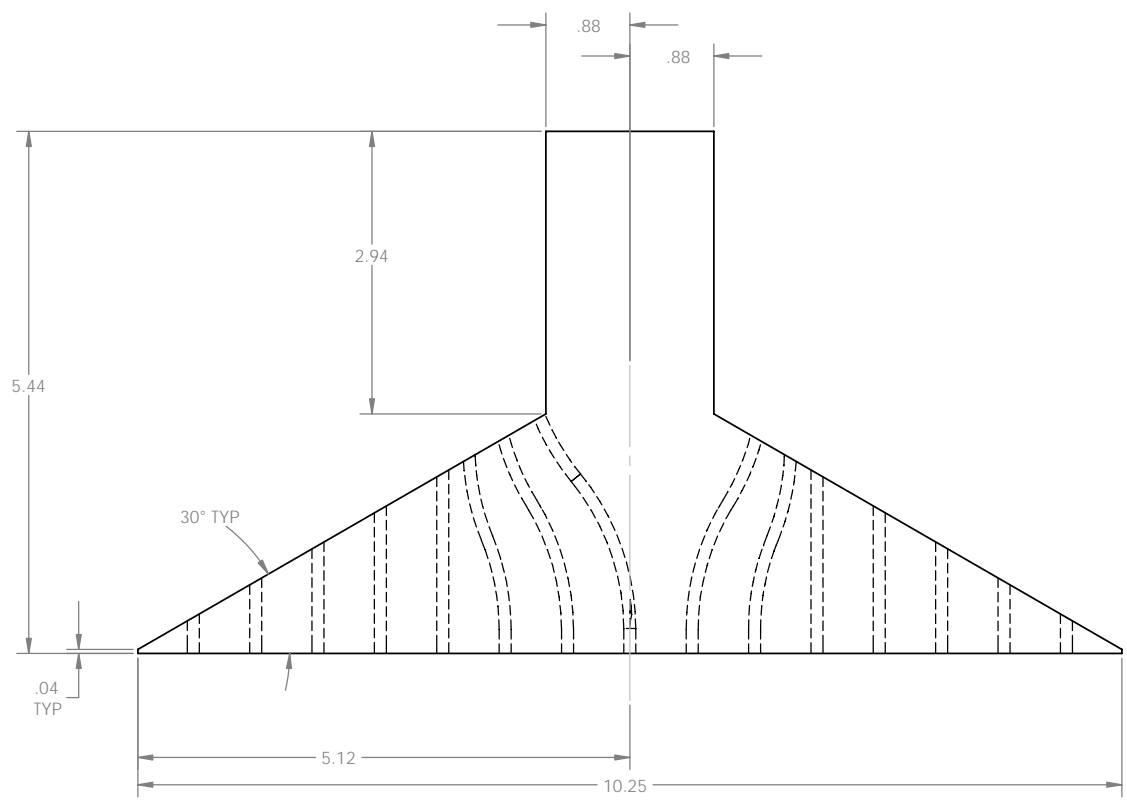
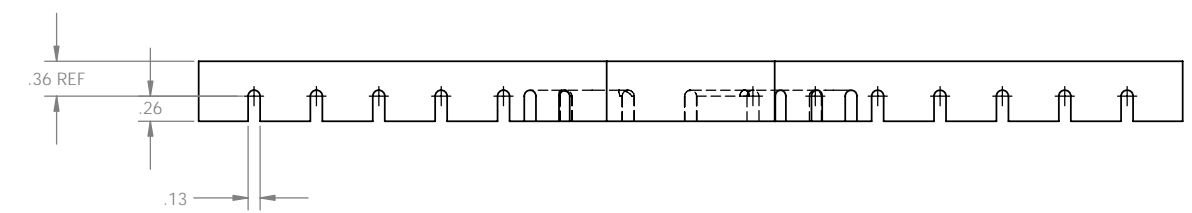
4

3

2

1

REVISIONS				
ZONE	REV	DESCRIPTION	DATE	APPRV
-	-	INITIAL ISSUE	-	-



CENTER COMB
ALL CURVED GROOVES
ARE PLANAR, 2D

NOTE: CENTER COMB IS THE SAME FOR
U, V, & X PLANES

NOTE: DO NOT SCALE DRAWING!
ALL TOLERANCES UNLESS OTHERWISE SPECIFIED ARE

DIMENSIONS ARE IN:
 INCHES [mm] mm [IN]

xxx [x.x] ± .010 [.3]
xxxx [x.xxx] ± .005 [.13]
xxxxx [x.xxxx] ± .0005 [.013]
xx/xx ± 1/32
x' ± 1"

UNIVERSITY OF ROCHESTER
DEPT. OF PHYSICS AND ASTRONOMY
SIDNEY W. BARNES RESEARCH LABORATORY

TITLE: MINERVA DETECTOR ASS'Y

THIRD ANGLE PROJECTION

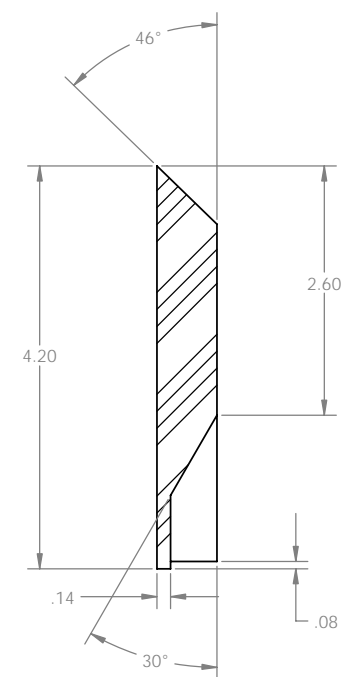
DRAWN	RSF	DATE	-
CHECKED	RSF	DATE	-
APPROVED	RSF	DATE	-

THIS IS THE PROPERTY OF THE UNIVERSITY OF ROCHESTER. ANY USE OR REPRODUCTION WITHOUT AUTHORIZATION BY THIS UNIVERSITY IS PROHIBITED.

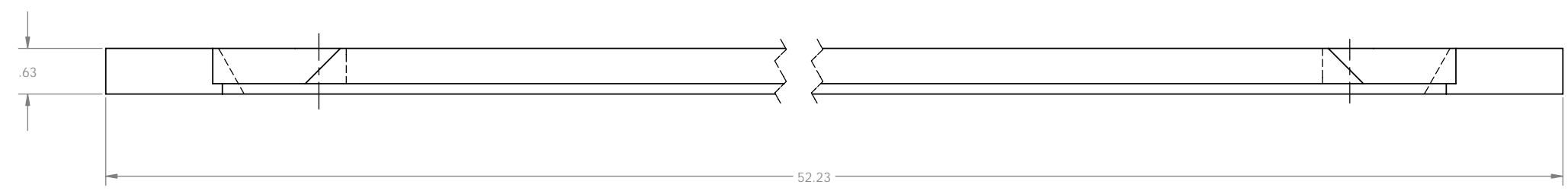
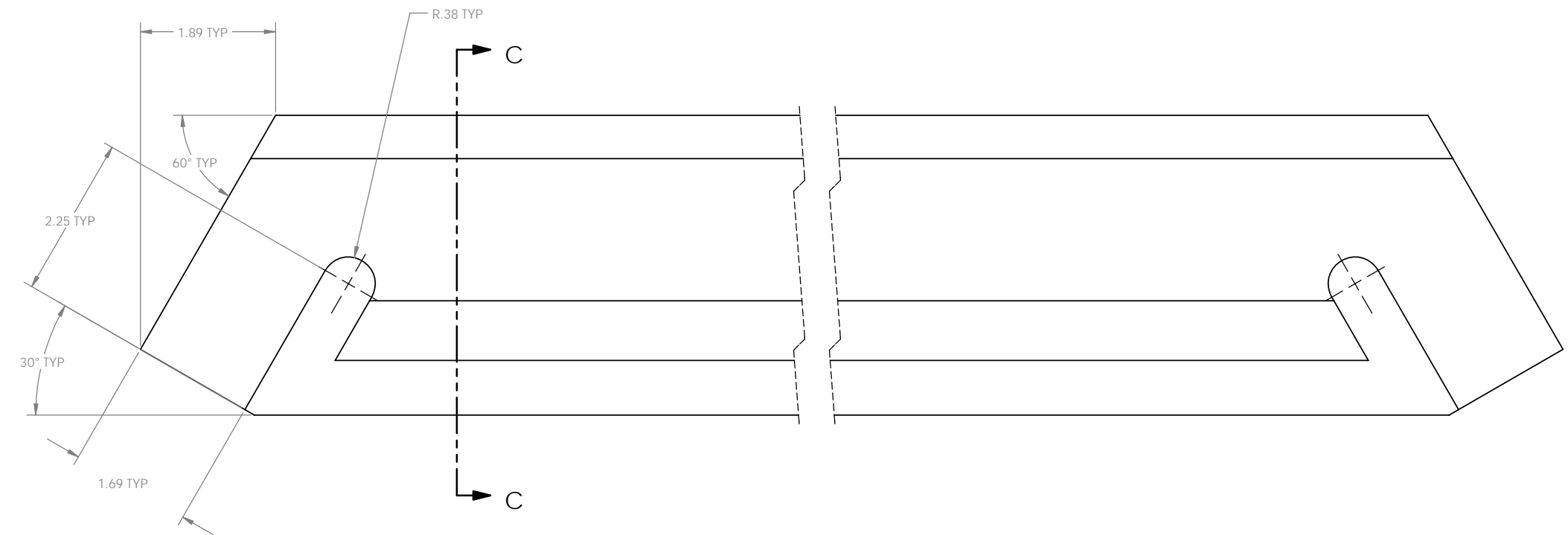
SCALE: 1:1 SHEET: 3 OF 5

WEIGHT: 0.597 LBS FILE: COMBS & SIDE SPACERS, U&V PLANES

REVISIONS				
ZONE	REV	DESCRIPTION	DATE	APPRV
-	-	INITIAL ISSUE	-	-



SECTION C-C
SCALE 1:1



SIDE SPACER BAR
QTY: 2 PER PLANE

NOTE: SIDE SPACER BARS ARE THE SAME FOR
U, V, & X PLANES

NOTE: DO NOT SCALE DRAWING!
ALL TOLERANCES UNLESS OTHERWISE SPECIFIED ARE

DIMENSIONS ARE IN:
 INCHES [mm] mm [IN]

x.xx [x,x] ± .010 [.3]
x.xxx [x,xx] ± .005 [.13]
x.xxxx [x,xxx] ± .0005 [.013]
xx/xx ± 1/32
x' ± 1"

UNIVERSITY OF ROCHESTER
DEPT. OF PHYSICS AND ASTRONOMY
SIDNEY W. BARNES RESEARCH LABORATORY

TITLE: **MINERVA DETECTOR ASS'Y**

THIRD ANGLE PROJECTION

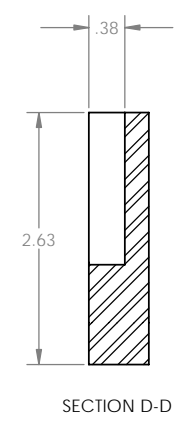
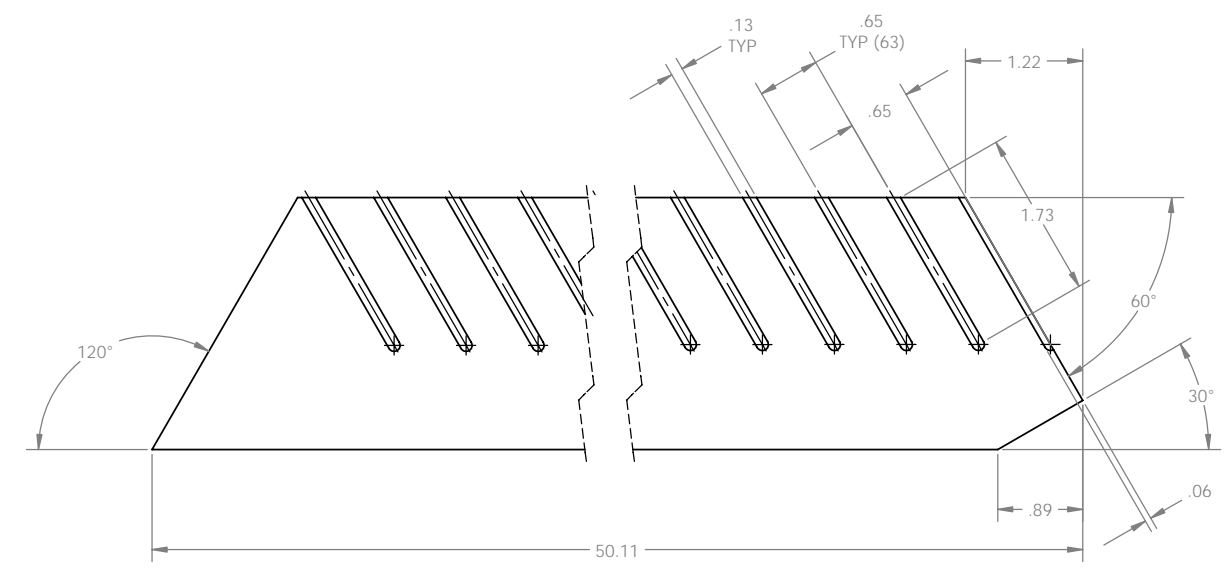
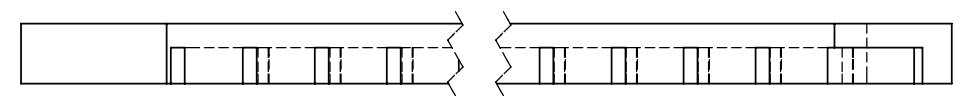
DRAWN	RSF	DATE	-
CHECKED	RSF	DATE	-
APPROVED	RSF	DATE	-

SIZE [DWG NO] **D** -

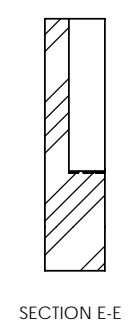
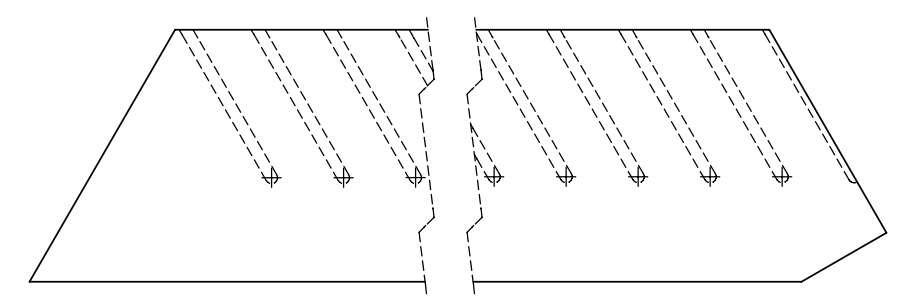
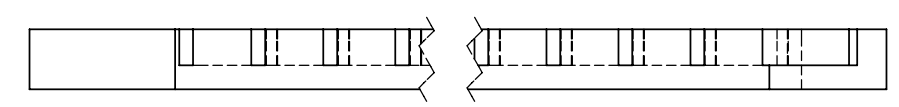
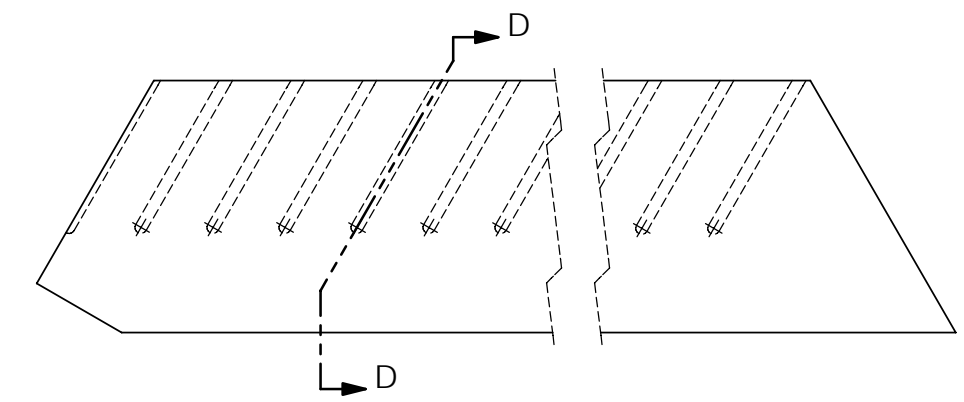
SCALE 1:2 SHEET 4 OF 5

WEIGHT: 3.549 LBS FILE: COMBS & SIDE SPACERS, U&V PLANES

REVISIONS				
ZONE	REV	DESCRIPTION	DATE	APPRV
-	-	INITIAL ISSUE	-	-



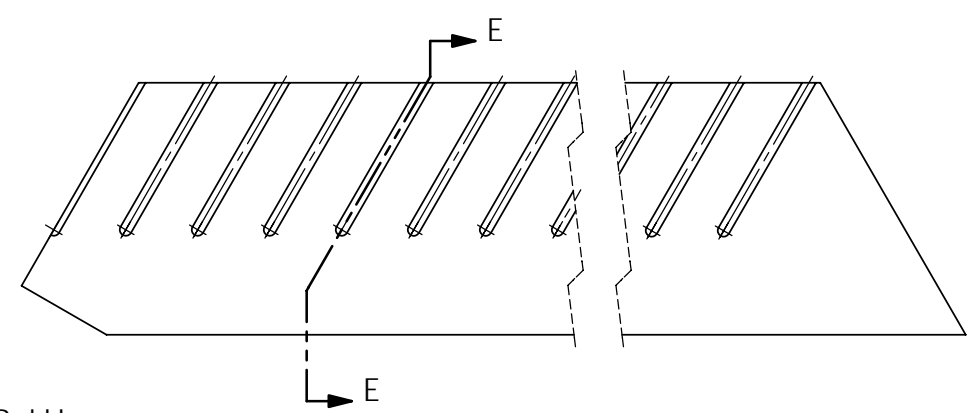
BOTTOM COMB, RH



BOTTOM COMB, LH
OPPOSITE HAND OF RH AS SHOWN

BOTTOM COMBS
QTY: 1EA PER PLANE

NOTE: BOTTOM COMBS ARE THE SAME FOR
U, V, & X PLANES



NOTE: DO NOT SCALE DRAWING !
ALL TOLERANCES UNLESS
OTHERWISE SPECIFIED ARE

DIMENSIONS ARE IN:
 INCHES [mm] mm [IN]
 x.xxx [x.x] ± .010 [.3]
 x.xxxx [x.xxx] ± .005 [.13]
 x.xxxxx [x.xxxx] ± .0005 [.013]
 xx/xx ± 1/32
 x' ± 1"

UNIVERSITY OF ROCHESTER
DEPT. OF PHYSICS AND ASTRONOMY
SIDNEY W. BARNES RESEARCH LABORATORY

TITLE: MINERVA DETECTOR ASS'Y

THIRD ANGLE PROJECTION

DRAWN	RSF	DATE	-
CHECKED	RSF	DATE	-
APPROVED	RSF	DATE	-

THIS IS THE PROPERTY OF THE UNIVERSITY OF ROCHESTER. ANY USE OR REPRODUCTION WITHOUT AUTHORIZATION BY THIS UNIVERSITY IS PROHIBITED.

SCALE: 1:1 SHEET: 5 OF 5

WEIGHT: 2.803 LBS FILE: COMBS & SIDE SPACERS, U&V PLANES