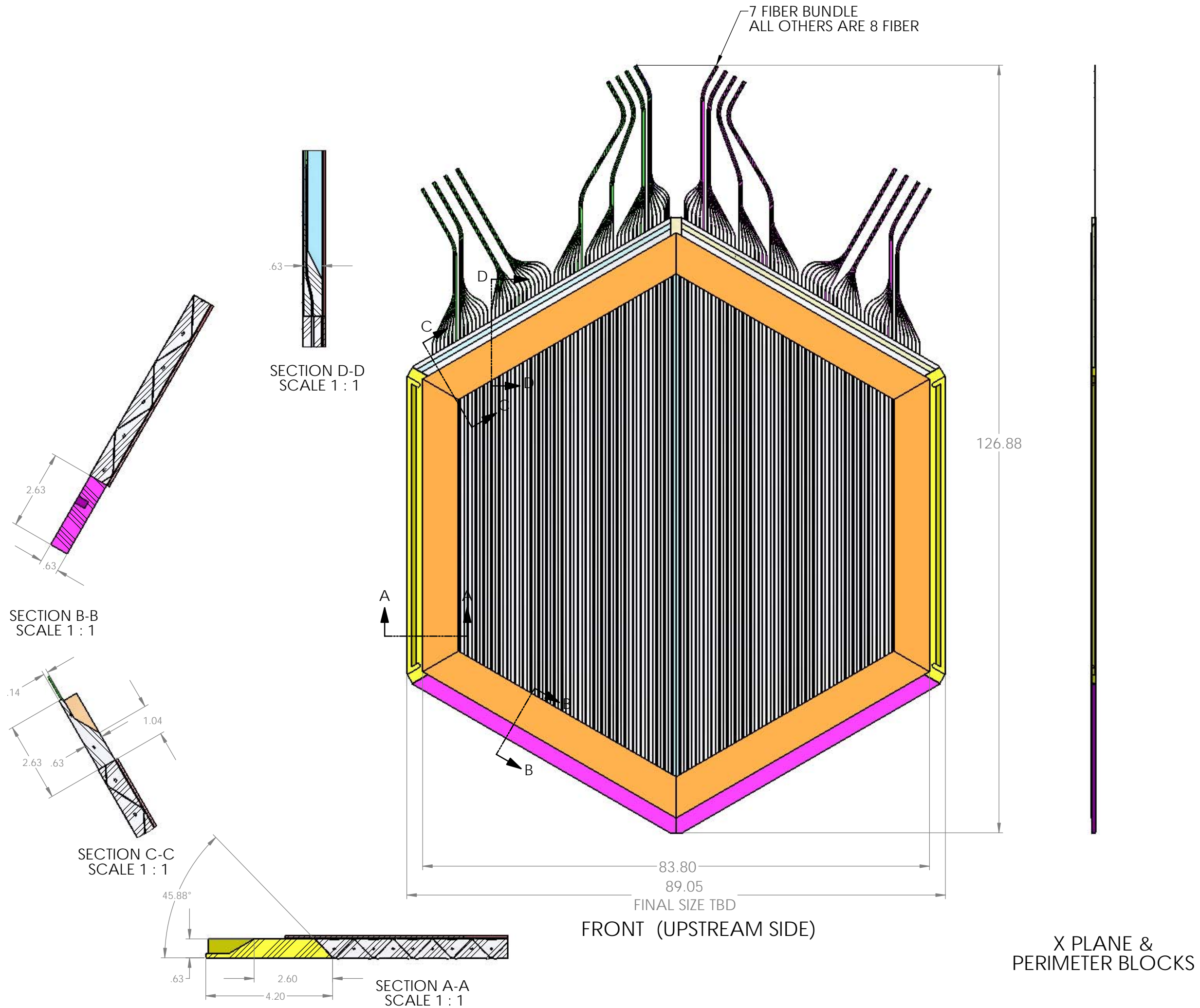
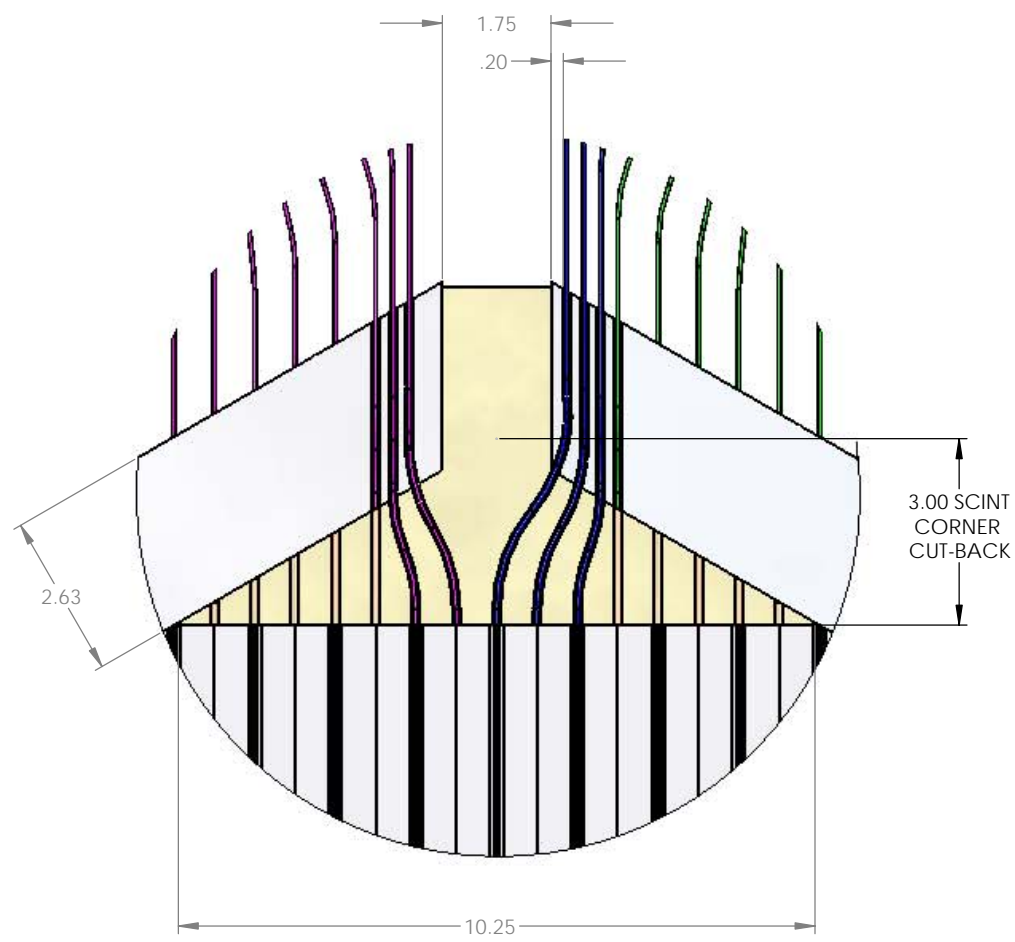
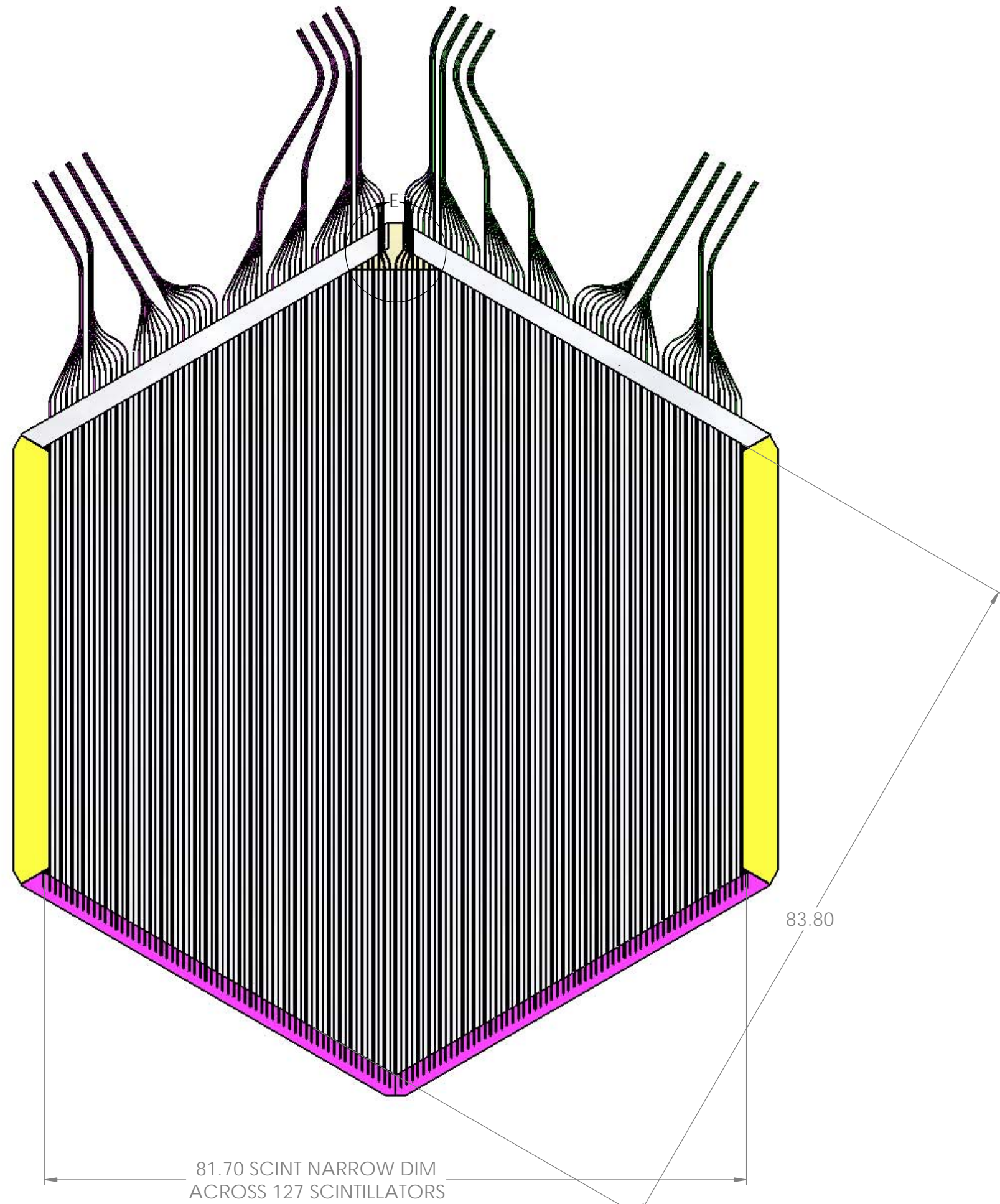


7 FIBER BUNDLE
ALL OTHERS ARE 8 FIBER

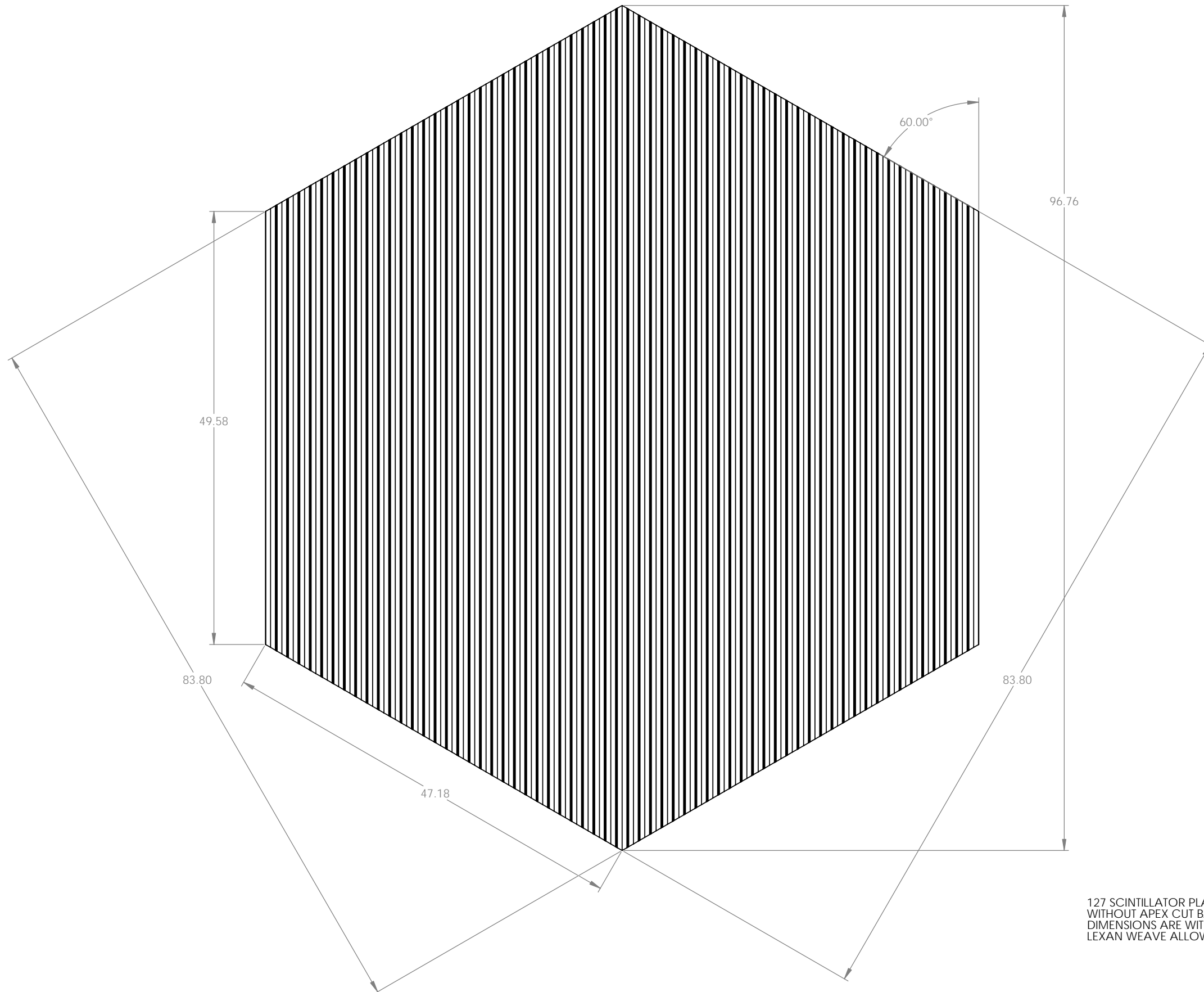
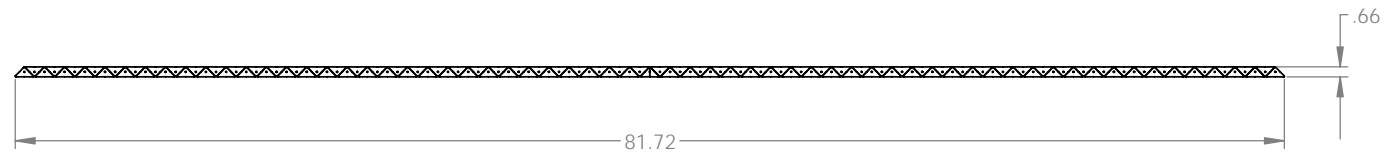




DETAIL E
SCALE 1 : 1

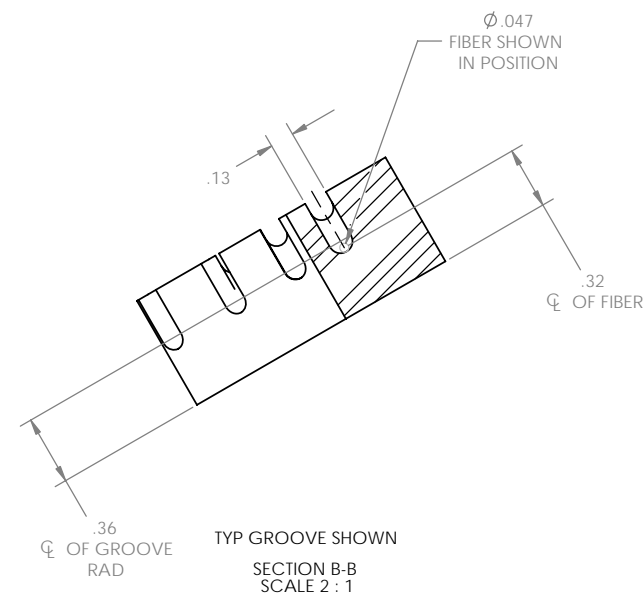
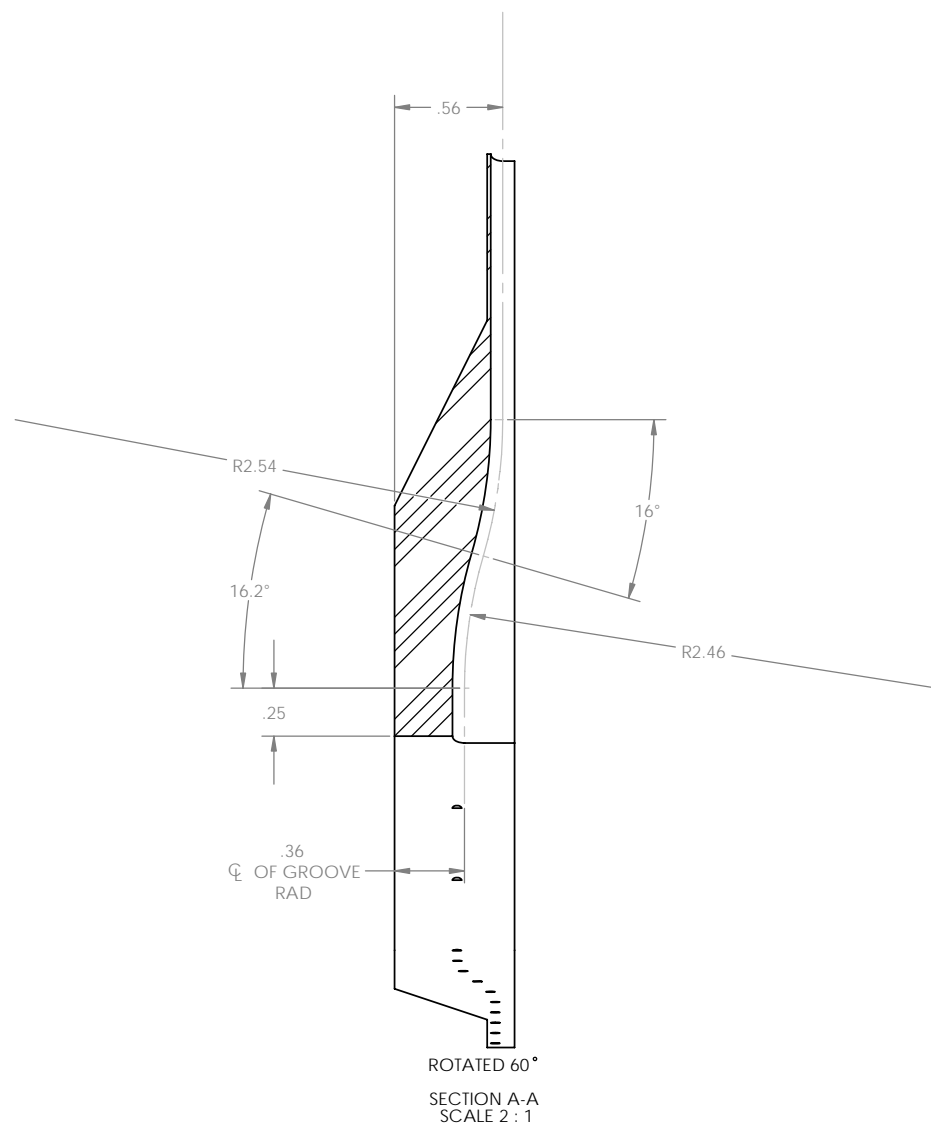
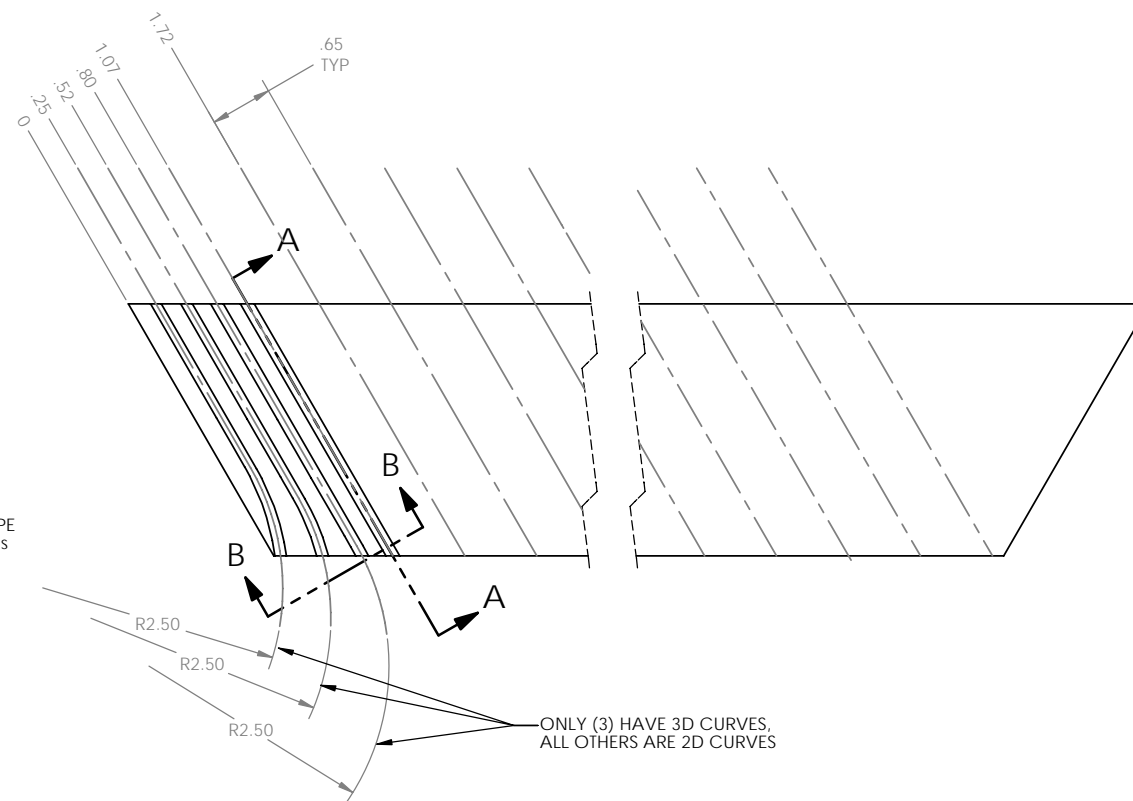
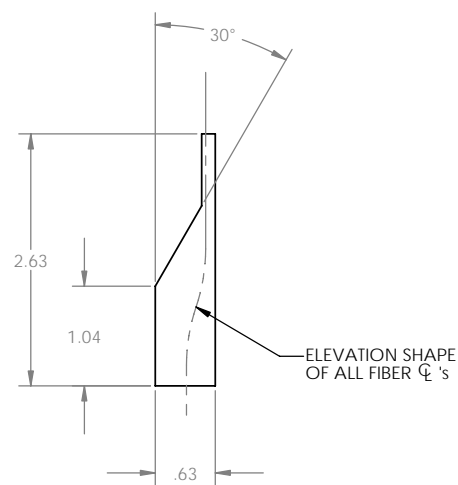
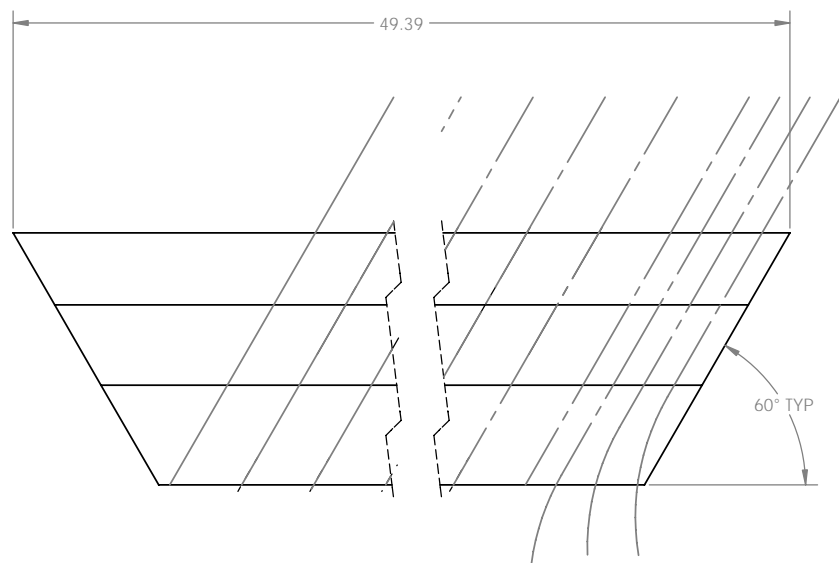


BACK (DOWNSTREAM SIDE)



127 SCINTILLATOR PLANE,
WITHOUT APEX CUT BACK
DIMENSIONS ARE WITHOUT
LEXAN WEAVE ALLOWANCE

REVISIONS				
ZONE	REV	DESCRIPTION	DATE	APPRV
-	-	INITIAL ISSUE	-	-



UPPER COMB, LH
X PLANE

UPPER COMB, LH SHOWN,
RH IS OPPOSITE - SEE SHT 2

NOTE: DO NOT SCALE DRAWING !
ALL TOLERANCES UNLESS OTHERWISE SPECIFIED ARE

DIMENSIONS ARE IN:
 INCHES [mm] mm [IN]

x.xxx [x.x] ± .010 [.3]
 x.xxxx [x.xxx] ± .005 [.13]
 x.xxxxx [x.xxxx] ± .0005 [.013]
 xx/xx ± 1/32
 x' ± 1"

UNIVERSITY OF ROCHESTER DEPT. OF PHYSICS AND ASTRONOMY SIDNEY W. BARNES RESEARCH LABORATORY				
TITLE MINERVA DETECTOR ASS'Y				
THIRD ANGLE PROJECTION	DRAWN	RSF	DATE	-
	CHECKED	RSF	DATE	-
	APPROVED	RSF	DATE	-

THIS IS THE PROPERTY OF THE UNIVERSITY OF ROCHESTER. ANY USE OR REPRODUCTION WITHOUT AUTHORIZATION BY THIS UNIVERSITY IS PROHIBITED.

SCALE	1:1	SHEET	1	OF	5
SIZE [DWG NO.]	D	REV	-		

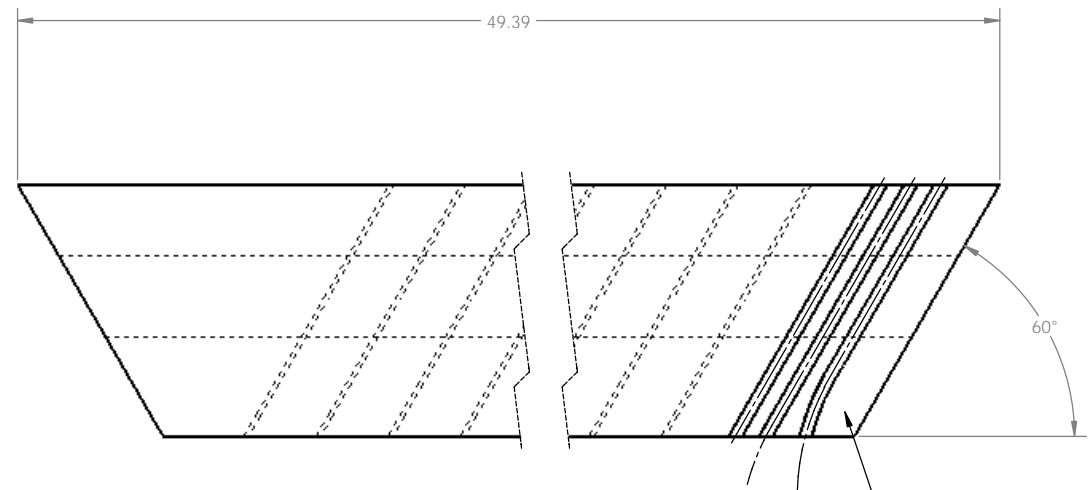
4

3

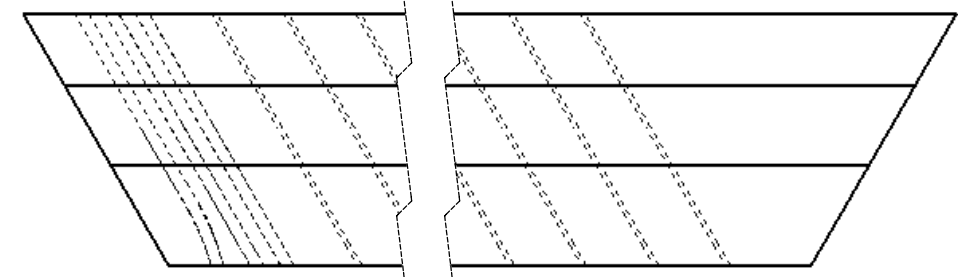
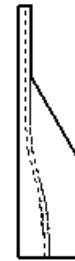
2

1

REVISIONS				
ZONE	REV	DESCRIPTION	DATE	APPRV
-	-	INITIAL ISSUE	-	-



ONLY GROOVES #2 & #3 ARE 3D,
GROOVE #1 IS NOT NEEDED &
NOT SHOWN



UPPER COMB, RH
OPPOSITE HAND OF
UPPER COMB, LH
SHOWN ON SHT 1

NOTE: DO NOT SCALE DRAWING !
ALL TOLERANCES UNLESS
OTHERWISE SPECIFIED ARE

DIMENSIONS ARE IN:
 INCHES [mm] mm [IN]
 x.xxx [x,x] ± .010 [.3]
 x.xxxx [x,xx] ± .005 [.13]
 x.xxxxx [x,xxx] ± .0005 [.013]
 xx/xx ± 1/32
 x' ± 1"

UNIVERSITY OF ROCHESTER
DEPT. OF PHYSICS AND ASTRONOMY
SIDNEY W. BARNES RESEARCH LABORATORY

TITLE
MINERVA DETECTOR ASS'Y

THIRD ANGLE PROJECTION

DRAWN	RSF	DATE	-
CHECKED	RSF	DATE	-
APPROVED	RSF	DATE	-

THIS IS THE PROPERTY OF THE UNIVERSITY OF ROCHESTER. ANY USE OR REPRODUCTION WITHOUT AUTHORIZATION BY THIS UNIVERSITY IS PROHIBITED.	SIZE [DWG NO.] D -	REV -
SCALE 1:1	SHEET 2 OF 5	

4

3

2

1

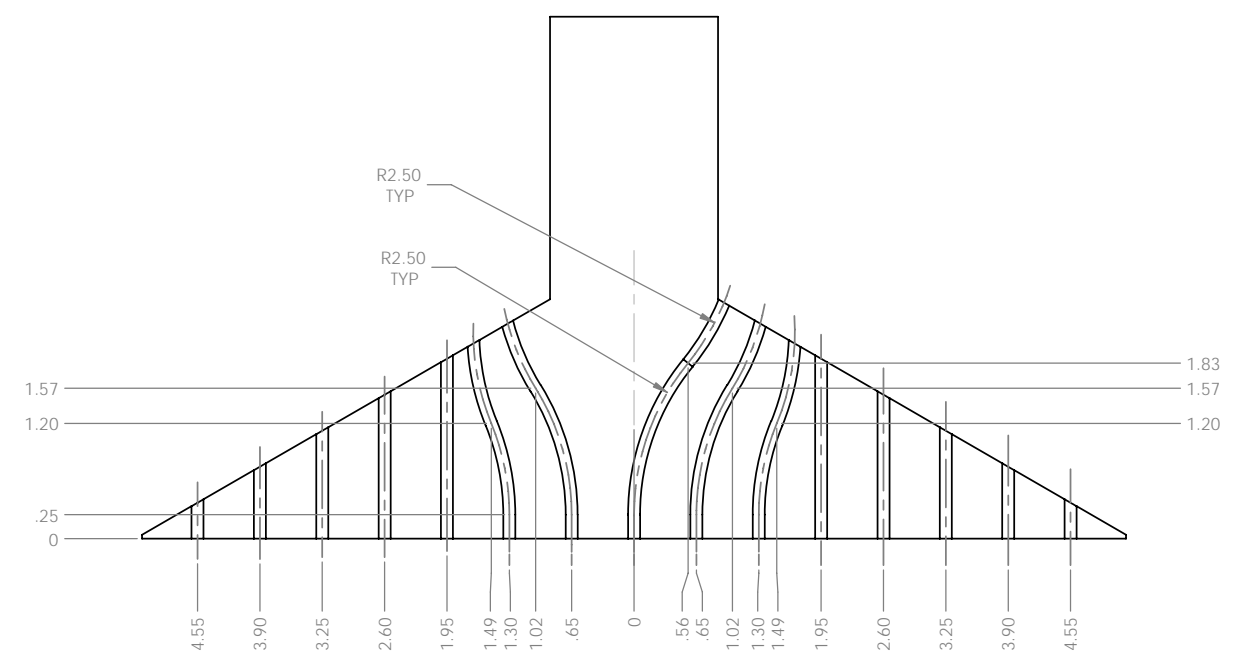
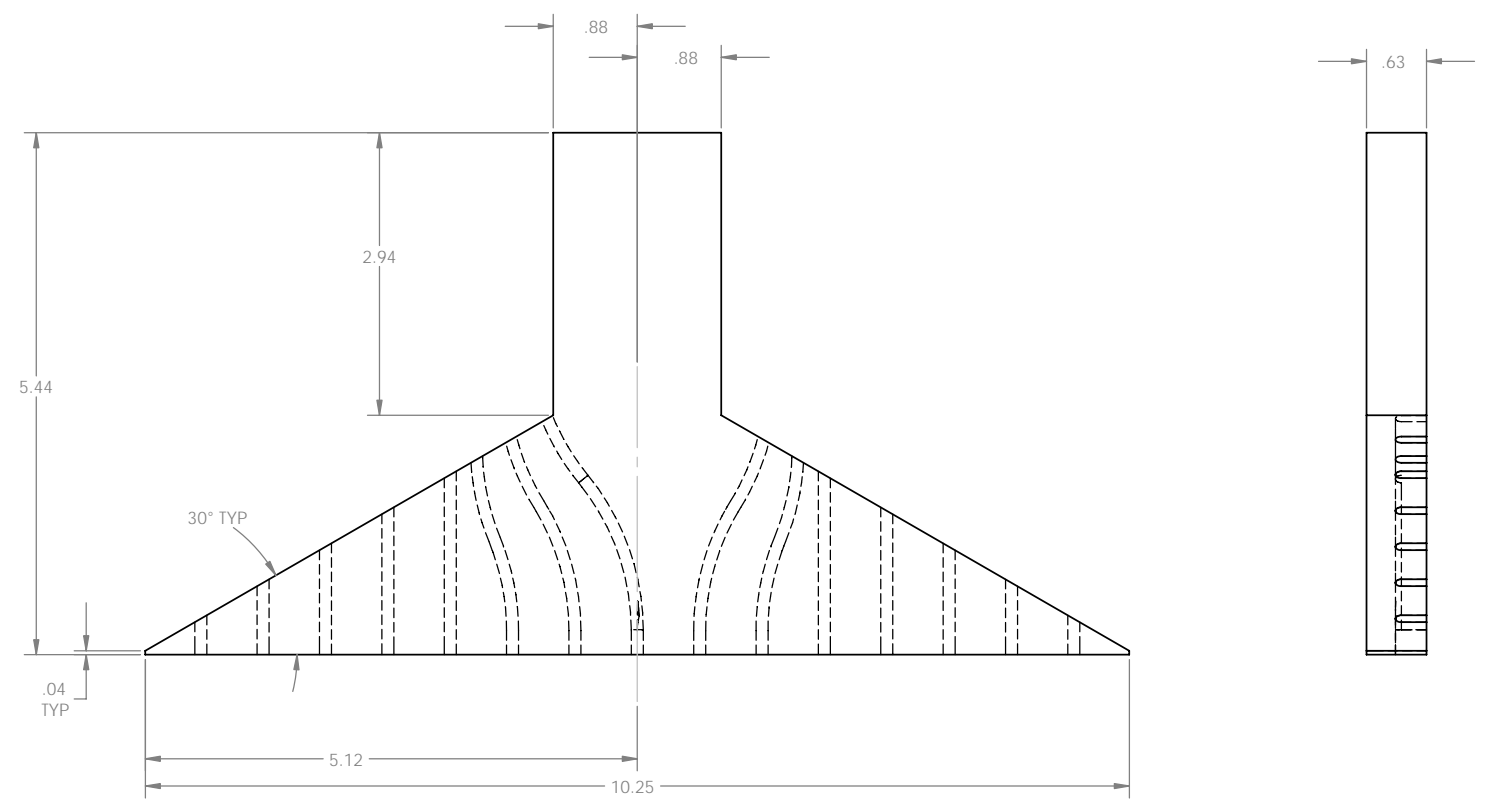
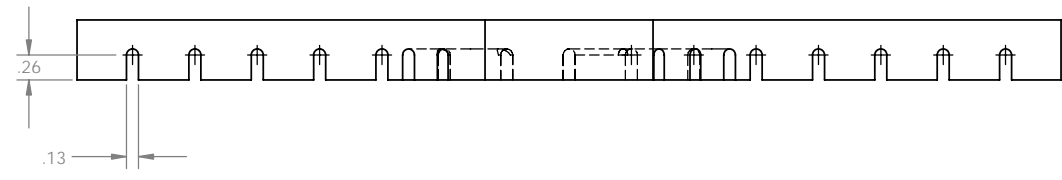
B

B

A

A

REVISIONS				
ZONE	REV	DESCRIPTION	DATE	APPRV
-	-	INITIAL ISSUE	-	-



CENTER COMB
ALL CURVED GROOVES
ARE PLANAR, 2D

NOTE: CENTER COMB IS THE SAME FOR
U, V, & X PLANES

NOTE: DO NOT SCALE DRAWING !
ALL TOLERANCES UNLESS
OTHERWISE SPECIFIED ARE

DIMENSIONS ARE IN:
 INCHES [mm] mm [IN]

x.xxx [x.x] ± .010 [.3]
x.xxxx [x.xxx] ± .005 [.13]
x.xxxxx [x.xxxx] ± .0005 [.013]
xx/xx ± 1/32
x' ± 1"

UNIVERSITY OF ROCHESTER
DEPT. OF PHYSICS AND ASTRONOMY
SIDNEY W. BARNES RESEARCH LABORATORY

TITLE
MINERVA DETECTOR ASS'Y

THIRD ANGLE PROJECTION

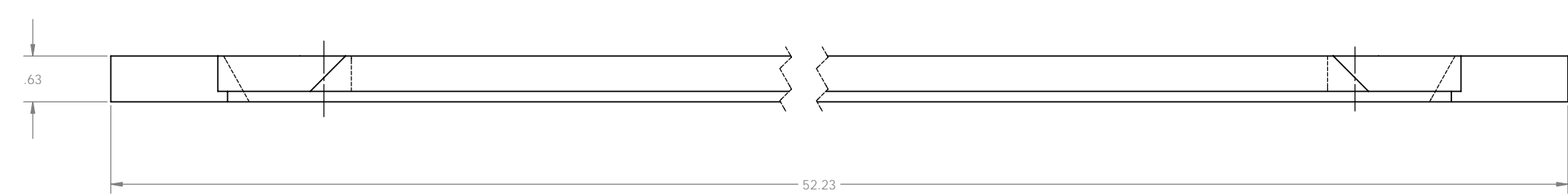
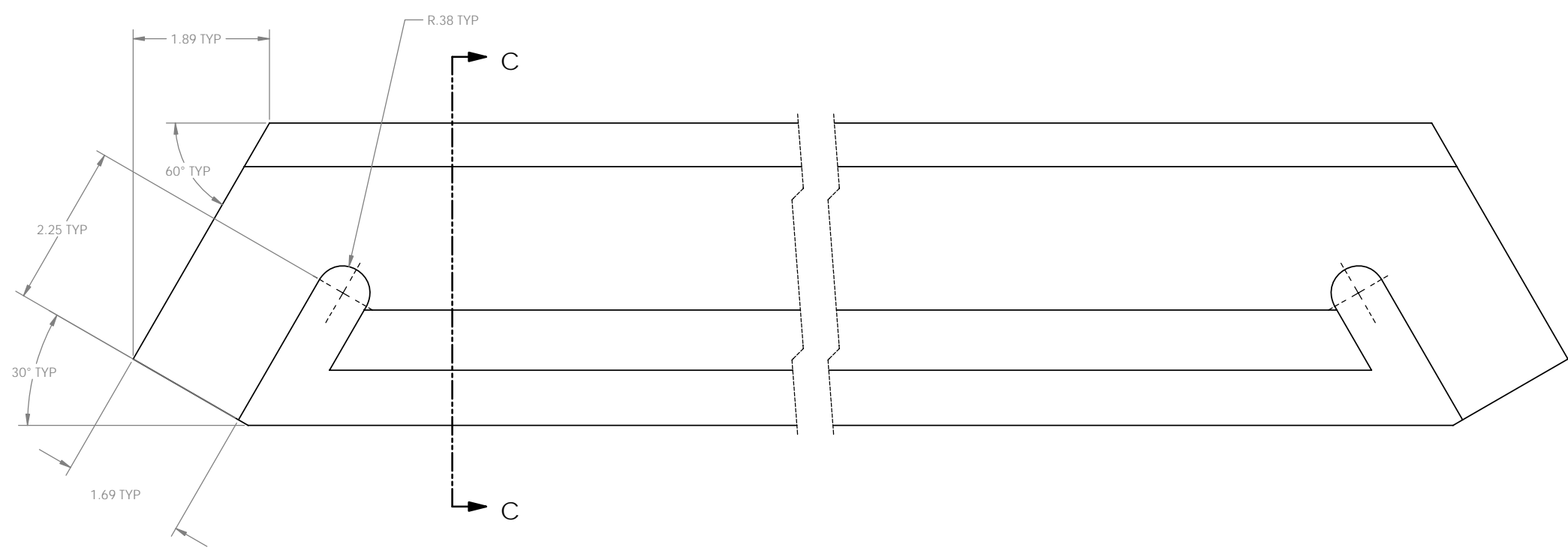
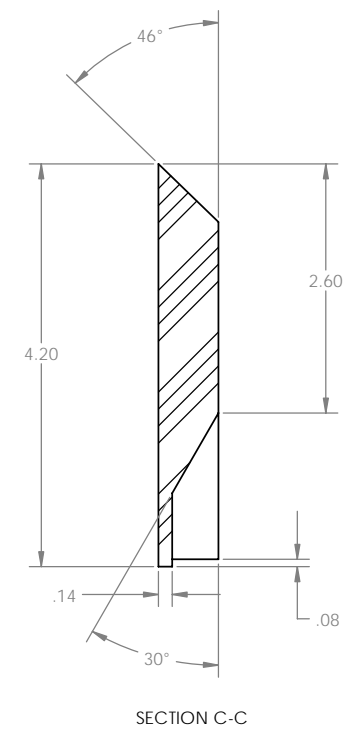
DRAWN	RSF	DATE	-
CHECKED	RSF	DATE	-
APPROVED	RSF	DATE	-

SCALE 1:1 SHEET 3 OF 5

WEIGHT: 0.597 LBS

FILE: COMBS & SIDE SPACERS, X PLANE

REVISIONS				
ZONE	REV	DESCRIPTION	DATE	APPRV
-	-	INITIAL ISSUE	-	-



SIDE SPACER BAR
QTY: 2 PER PLANE

NOTE: SIDE SPACER BARS ARE THE SAME FOR
 U, V, & X PLANES

NOTE: DO NOT SCALE DRAWING!
 ALL TOLERANCES UNLESS OTHERWISE SPECIFIED ARE

DIMENSIONS ARE IN:
 INCHES [mm] mm [IN]

x.xxx [x.x] ± .010 [.3]
 x.xxxx [x.xxx] ± .005 [.13]
 x.xxxxx [x.xxxx] ± .0005 [.013]
 xx/xx ± 1/32
 x' ± 1"

UNIVERSITY OF ROCHESTER
 DEPT. OF PHYSICS AND ASTRONOMY
 SIDNEY W. BARNES RESEARCH LABORATORY

TITLE: **MINERVA DETECTOR ASS'Y**

THIRD ANGLE PROJECTION

DRAWN	RSF	DATE	-
CHECKED	RSF	DATE	-
APPROVED	RSF	DATE	-

THIS IS THE PROPERTY OF THE UNIVERSITY OF ROCHESTER. ANY USE OR REPRODUCTION WITHOUT AUTHORIZATION BY THIS UNIVERSITY IS PROHIBITED.

SCALE: 1:1 SHEET: 4 OF 5

WEIGHT: 3.549 LBS FILE: COMBS & SIDE SPACERS, X PLANE

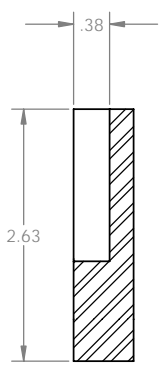
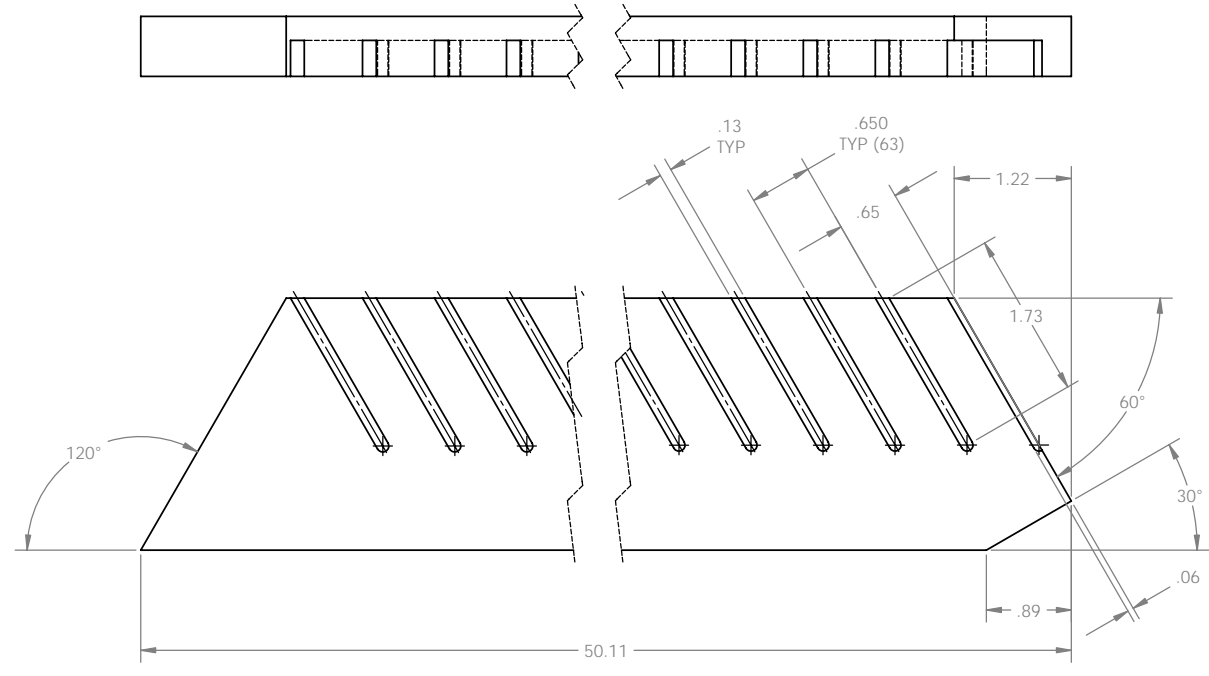
4

3

2

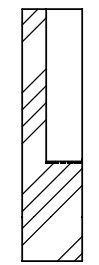
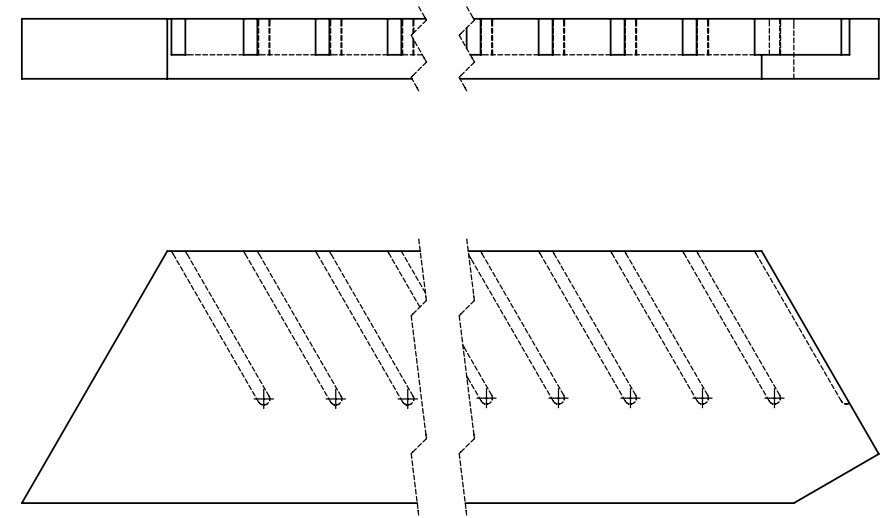
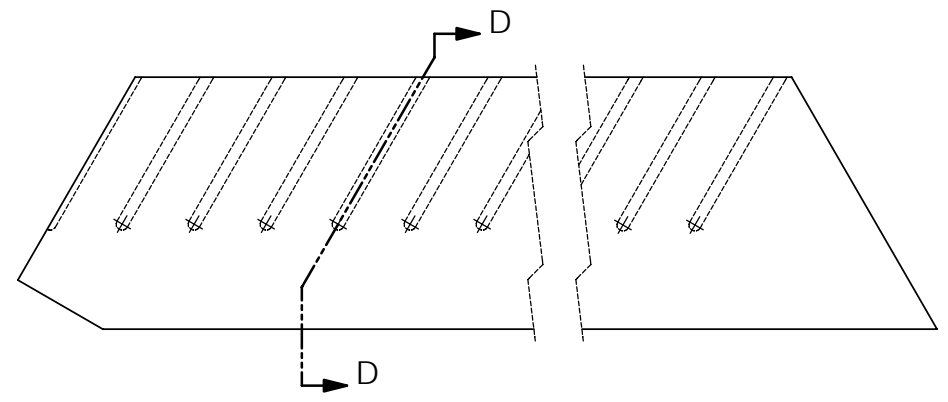
1

REVISIONS				
ZONE	REV	DESCRIPTION	DATE	APPRV
-	-	INITIAL ISSUE	-	-



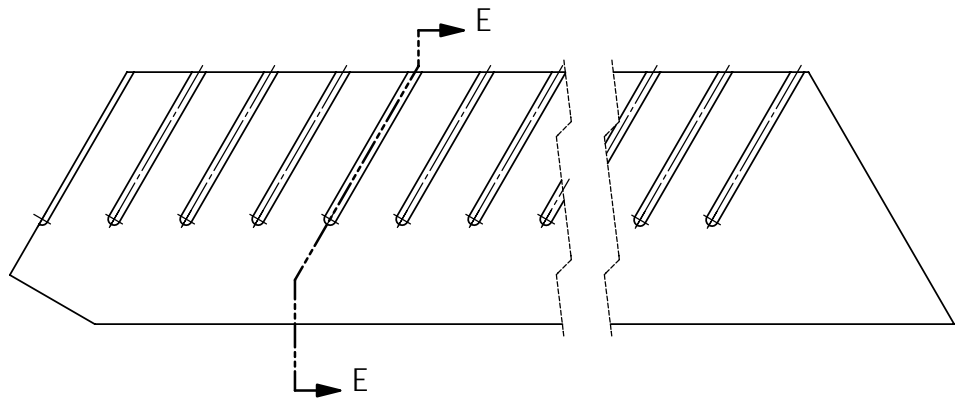
SECTION D-D

BOTTOM COMB, RH



SECTION E-E

BOTTOM COMB, LH
OPPOSITE HAND OF RH AS SHOWN



BOTTOM COMBS
QTY: 1EA PER PLANE

NOTE: BOTTOM COMBS ARE THE SAME FOR
U, V, & X PLANES

NOTE: DO NOT SCALE DRAWING !
ALL TOLERANCES UNLESS
OTHERWISE SPECIFIED ARE

DIMENSIONS ARE IN:
 INCHES [mm] mm [IN]

x.xxx [x.x] ± .010 [.3]
x.xxxx [x.xxx] ± .005 [.13]
x.xxxxx [x.xxxx] ± .0005 [.013]
xx/xx ± 1/32
x' ± 1"

UNIVERSITY OF ROCHESTER
DEPT. OF PHYSICS AND ASTRONOMY
SIDNEY W. BARNES RESEARCH LABORATORY

TITLE: **MINERVA DETECTOR ASS'Y**

THIRD ANGLE PROJECTION	DRAWN	RSF	DATE	-
	CHECKED	RSF	DATE	-
	APPROVED	RSF	DATE	-

SIZE [DWG NO.]	D	-	REV	-
SCALE	1:1	SHEET	5 OF 5	

WEIGHT: 2.803 LBS

FILE: COMBS & SIDE SPACERS, X PLANE

4

3

2

1